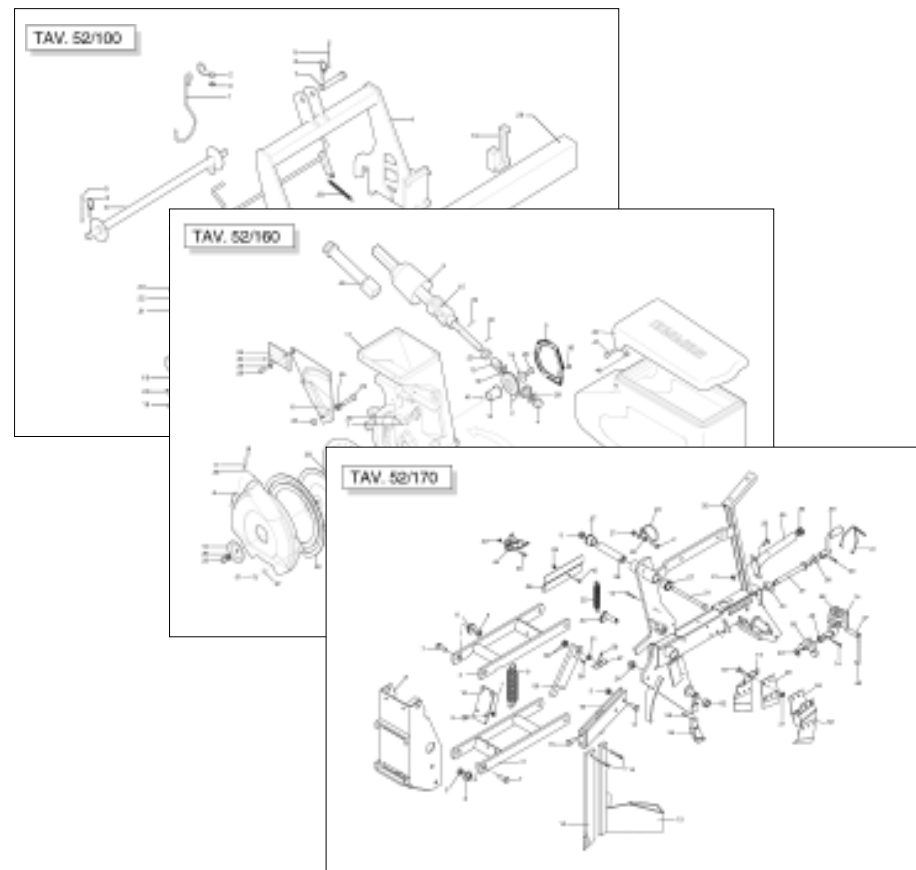


# GASPARDO



# MT

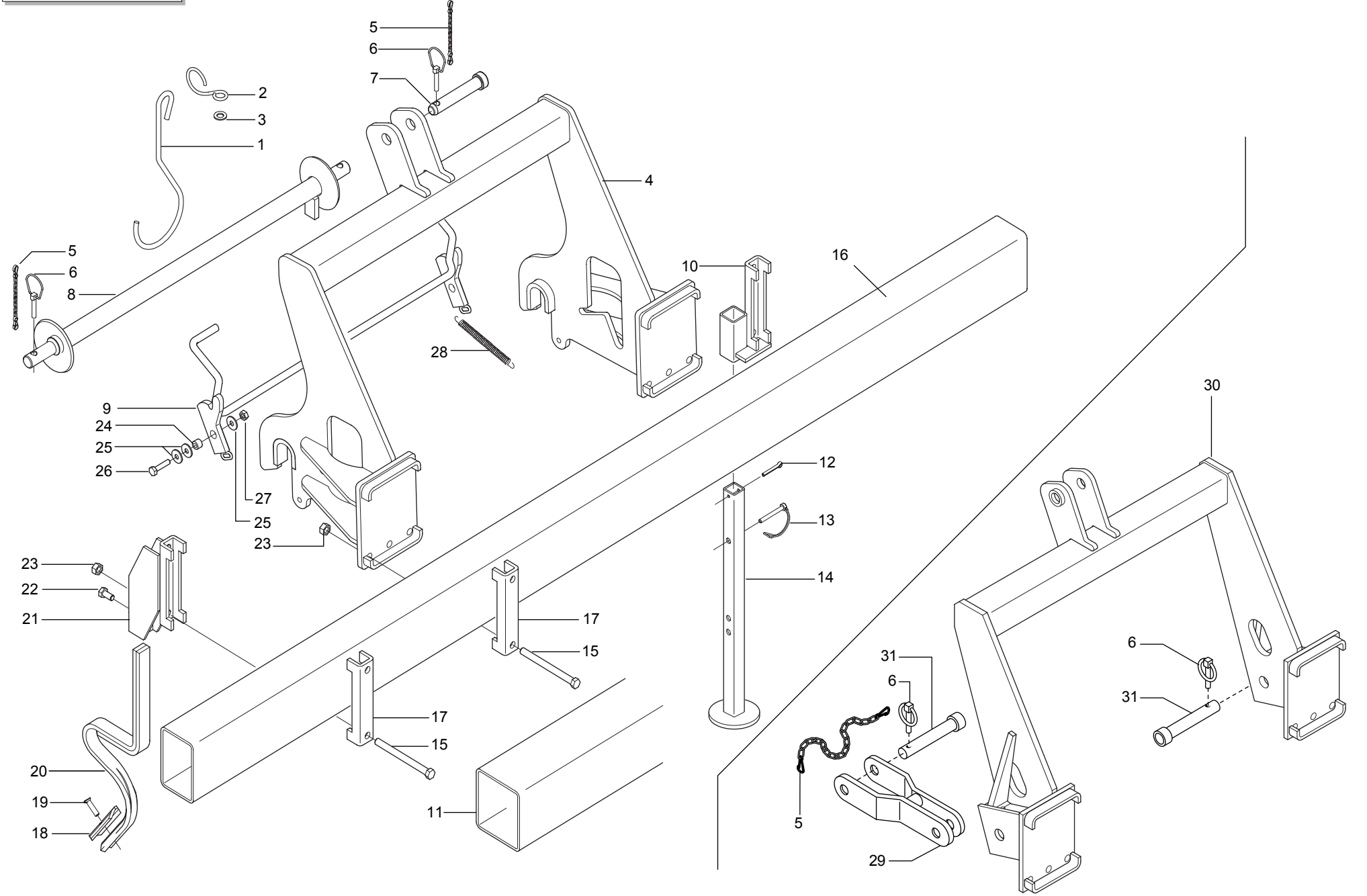
Cod: 19530254 09.2004

# GASPARDO

- IT** PARTI DI RICAMBIO
- EN** SPARE PARTS
- DE** ERSATZTEILE
- FR** PIÈCES DÉTACHÉES
- ES** PIEZAS DE REPUESTO

ITALIANO	ENGLISH	DEUTSCH	FRANÇAIS	ESPAÑOL
<b>PARTI DI RICAMBIO</b>	<b>SPARE PARTS</b>	<b>ERSATZTEILE</b>	<b>PIECES DÉTACHÉES</b>	<b>RESPUESTOS</b>
<p>Le ordinazioni delle parti di ricambio vanno fatte presso i nostri concessionari di zona e devono essere sempre corredate dalle seguenti indicazioni:</p> <ul style="list-style-type: none"> <li>- <b>Tipo, modello e numero di matricola dell'attrezzatura.</b> Tali dati sono stampigliati nell'apposita targhetta di cui è dotata ogni attrezzatura.</li> <li>- <b>Numero di codice della parte richiesta</b> rilevabile dal catalogo ricambi.</li> <li>- <b>Descrizione del particolare e quantità richiesta.</b></li> <li>- <b>Numero della tavola.</b></li> <li>- <b>Mezzo di trasporto.</b> Nel caso questa voce non sia specificata, la Ditta Costruttrice, pur dedicando a questo servizio una particolare cura, non risponde di eventuali ritardi di spedizione dovuti a cause di forza maggiore. Le spese di trasporto si intendono sempre a carico del destinatario. La merce viaggia a rischio e pericolo del committente anche se venduta franco destino.</li> </ul> <p><b>NOTA:</b> Il termine <b>(Dx) Destro</b> o <b>(Sx) Sinistro</b> della macchina o di parti di essa, è inteso guardando la macchina dalla parte posteriore. Le eccezioni saranno indicate.</p>	<p><i>Orders must be transmitted through our area dealers and should always include the following indications:</i></p> <ul style="list-style-type: none"> <li>- <b>Type, model and serial number of the machine.</b> <i>These data are punched on the data plate with which every implement is equipped.</i></li> <li>- <b>Code number of the required spare part.</b> <i>This will be found in the spare parts catalogue.</i></li> <li>- <b>Description of the part and required quantity.</b></li> <li>- <b>Table number.</b></li> <li>- <b>Means of dispatch.</b> <i>If this item is not indicated, the Manufacturer, while dedicating particular care to this service, shall not be held responsible for delays in delivery caused by cases of force majeure. Transport expenses shall always be at the consignee's charge. The goods travel at the purchaser's risk and peril even when sold ex destination.</i></li> </ul> <p><b>NOTE:</b> <i>The symbols (Dx) right and (Sx) left, concerning the machine or single parts of it, are referred, as in the figure, to a rear view of them. Exceptions will be indicated.</i></p>	<p>Die Bestellungen müssen bei unseren Gebietshändlern aufgegeben werden. Bei der Bestellung sind stets die folgenden Angaben zu machen:</p> <ul style="list-style-type: none"> <li>- <b>Typ, Modell und Serien-Nummer des Geräts.</b> Diese Daten stehen auf dem Typenschild, mit dem jedes Gerät versehen ist.</li> <li>- <b>Artikel Nr. der erforderlichen Ersatzteile.</b> Diese stehen im Ersatzteil-Katalog.</li> <li>- <b>Beschreibung des Ersatzteils und die erforderliche Stückzahl.</b></li> <li>- <b>Tafelnummer.</b></li> <li>- <b>Versandmittel.</b> Wenn dieser Punkt nicht spezifiziert wird, haftet die Herstellerfirma nicht für etwaigen Lieferverzug aufgrund höherer Gewalt, auch wenn er diesen Service besonders aufmerksam abwickelt. Die Frachtkosten gehen dagegen immer zu Lasten des Empfängers. Die Ware reist auf Gefahr und Risiko des Auftraggebers, auch wenn frei Haus Verkauft vereinbart worden ist.</li> </ul> <p><b>N.B.:</b> Die Merkzeichen <b>(Dx) rechts</b> und <b>(Sx) links</b> betreffen eine rückwärtige Aussicht der Maschine oder Teile von ihr (siehe Bild). Ausnahmen werden gezeigt.</p>	<p><i>Les ordres doivent être effectués auprès de nos concessionaires de zone en précisant les indications suivantes:</i></p> <ul style="list-style-type: none"> <li>- <b>Type, modèle et numéro de série de la machine.</b> <i>Ces données sont gravées sur la plaque d'identification de chaque outil.</i></li> <li>- <b>Numéro de code de la pièce détachée</b> indiqué sur le catalogue des pièces détachées.</li> <li>- <b>Description de la pièce et quantité requise.</b></li> <li>- <b>Numéro de plan.</b></li> <li>- <b>Moyen d'expédition.</b> <i>Si cette rubrique n'est pas indiquée, le Constructeur, bien que soucieux de ce service, ne répond pas des retards d'expédition pour des causes de force majeure. Les frais de transport sont toujours à la charge du destinataire. La marchandise voyage aux risques et périls de l'acheteur même si vendue franco de port.</i></li> </ul> <p><b>N.B.:</b> <i>Les références (Dx) droit et (Sx) gauche de la machine ou des parties de la même, est entendue, comme de la figure, en regardant la machine de derriere dans le sens de marche.</i></p>	<p>Los pedidos han de efectuarse en nuestros concesionarios de zona y deben incluir siempre las siguientes indicaciones:</p> <ul style="list-style-type: none"> <li>- <b>Tipo, modelo y número de matrícula del equipo.</b> Dichos datos están impresos en la relativa placa presente en el equipo.</li> <li>- <b>Número de código de la parte requerida</b> presente en el catálogo respuestas.</li> <li>- <b>Descripción de la pieza y cantidad requerida.</b></li> <li>- <b>Numero de ilustración.</b></li> <li>- <b>Medio de transporte.</b> En caso que este ítem no esté especificado, el Fabricante, aún prestando la debidas consideraciones para este aspecto, no responde por eventuales retardos de env'o debidos a causas de fuerza mayor. Los gastos de transporte se consideran siempre a cargo del destinatario. La mercadería viaja bajo riesgo y peligro del comprador, incluso cuando se vende franco destino.</li> </ul> <p><b>N.B.:</b> La refencia <b>(Dx) derecha</b> o <b>(Sx) izquierda</b> de la máquina o de sus componentes, se entiende, como en la figura, mirando la máquina por la parte trasera. Se indicarán las excepciones.</p>

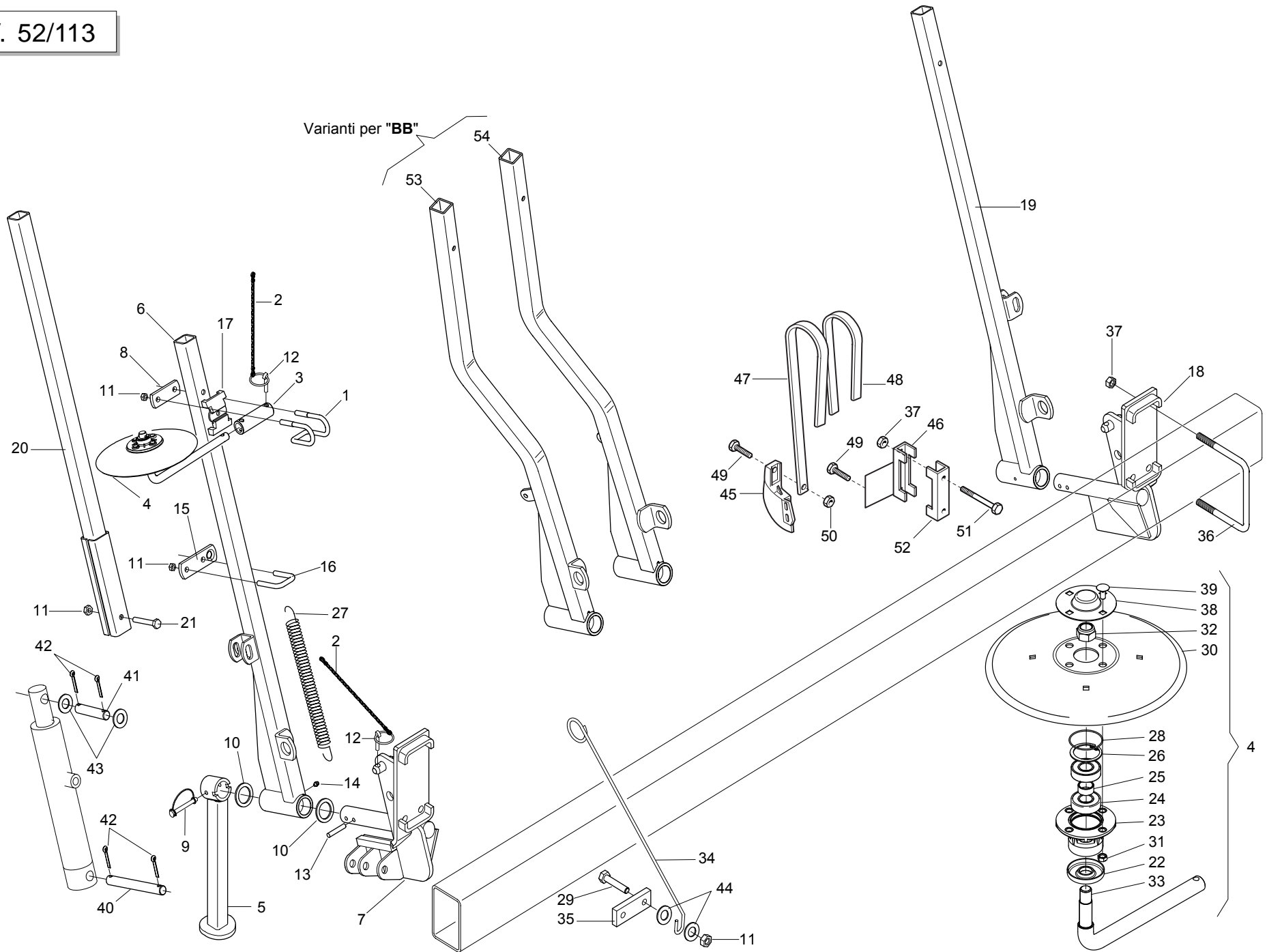
<b>N° Tavola</b>	<b>Descrizione</b>	<b>Pagina</b>
TAV. 52/103	Telaio e attacco 3 punti	4
TAV. 52/113	Segnafile	6
TAV. 52/122	Segnafile rinforzato	8
TAV. 52/132	Impianto oleodinamico segnafile	10
TAV. 52/142	Depressore	12
TAV. 52/151	Scatola di rinvio elemento	14
TAV. 52/162	Distributore semi	16
TAV. 52/320	Dischi di semina	18
TAV. 52/173	Telaio elemeto	20
TAV. 52/184	Ruote di profondità di compressione	24
TAV. 52/401	Coprisemi anteriori e posteriori per ruote a "V"	28
TAV. 52/340	Ruota compressione farmflex Ø 370 (con copriseme anteriore)	30
TAV. 52/420	Coltro a disco striato	32
TAV. 52/351	Esclusione elettrica file di semina	34
TAV. 52/192	Cambio	36
TAV. 52/203	Ruote di trasmissione	38
TAV. 52/203-A	Ruote di trasmissione anteriore	42
TAV. 52/410	Scaletta ruote portanti	46
TAV. 52/291	Ruote regolabili	48
TAV. 52/310	Presa di potenza posteriore	52
TAV. 52/361	Kit ruote per terreni sassosi - Flangiatura ruote	54
TAV. 52/212	Supporti serbatoi spandiconcime ferro	56
TAV. 52/221	Serbatoi spandiconcime ferro	58
TAV. 52/232	Supporti serbatoi spandiconcime plastica	62
TAV. 52/242	Serbatoi spandiconcime plastica	64
TAV. 52/382	Supporti serbatoio spandiconcime unico	68
TAV. 52/392	Serbatoio spandiconcime unico	70
TAV. 52/253	Elementi di concimazione	74
TAV. 52/283	Speedy set	76
TAV. 52/330	Concimazione pneumatica	78
TAV. 52/264	Microgranulatore	80
TAV. 52/272	Trasmissione spandiconcime e microgranulatore	84
TAV. 52/430	Applicazione doppio microgranulatore	86
TAV. 52/300	Accessori	88



**TELAIO E ATTACCO 3 PUNTI**

**TAV. 52/103**

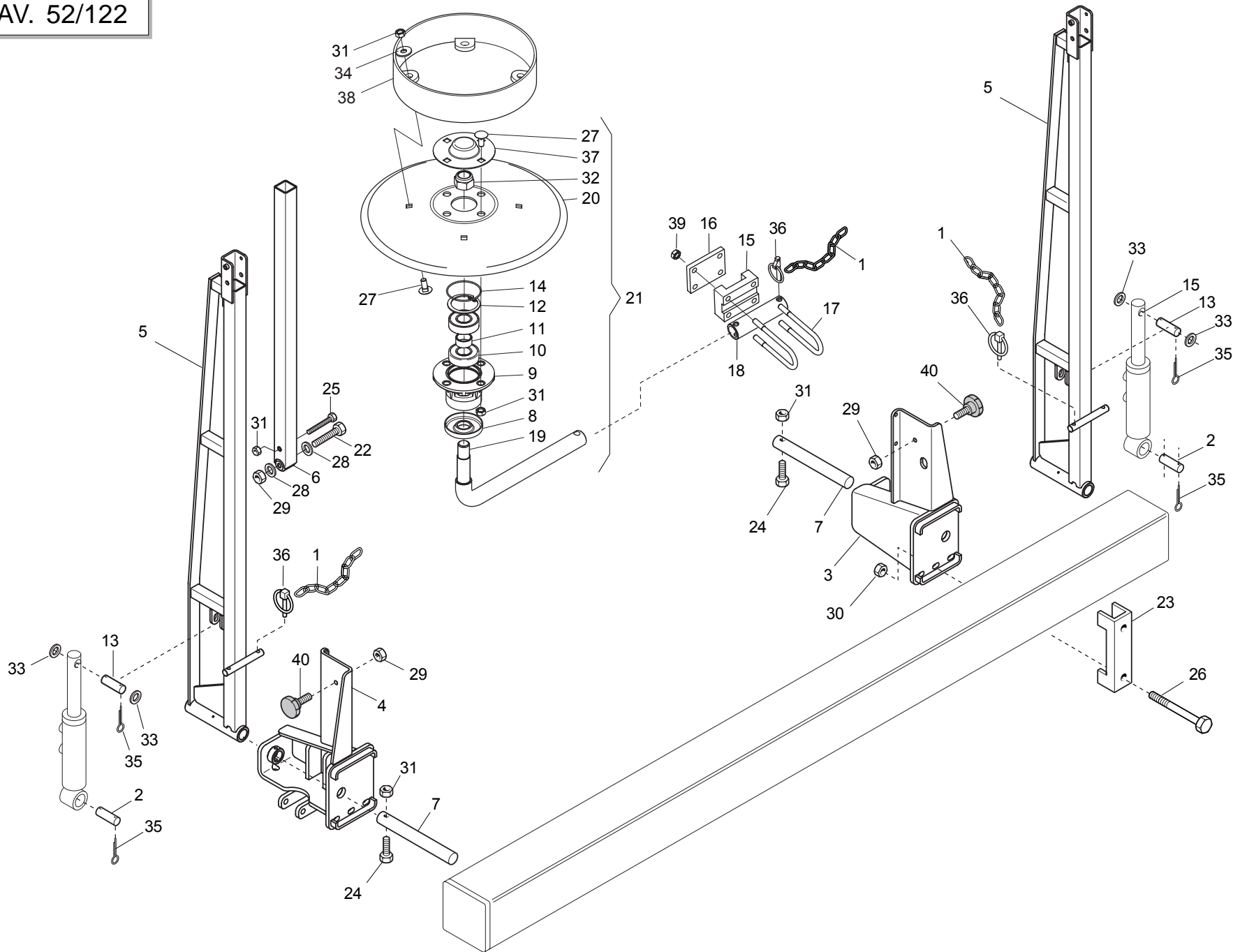
Pos.	Cod.	Descrizione	Description	Description	Benennung	Descripcion
1	15411190	GANCIO SOSTEGNO CARDANO	UNIVERSAL JOINT SUPPORT HOOK	CROCHET SOUTIEN CARDAN	KARDANSTÖTZHAKEN	GANCHO SOTN CARDAN C
2	65336004	MOLLA SPEC.ZN AGG.SEMINAT. SP	SPEC SPRING- ZN ADD. SEEDER SP	RESSORT SPEC. ZN ATTELAGE SEME	SPEZIALFEDER ZN SZELEM. KUPPL.	MUELLE ESPEC. ZN CONEX. SEMBRA
3	F01410088	RONDELLA D14 UNI 6592 ZN	WASHER D14 UNI 6592 GALVANIZED	RONDELLE D14 UNI 6592 ZN	UNTERLEGSCHEIBE D14 UNI 6592 Z	ARANDELA D14 UNI 6592 ZN
4	16610370	ATTACCO TERZO PUNTO RAPIDO	ATTACHMENT	FIXATION	ANSCHLUSS	CONEXIN
5	07000039	CATENELLA	CHAIN	CHAINETTE	KETTE	CADENA
6	F02200507	SPINA A SCATTO D 9 B/83	SNAP PIN D 9 B/83	FICHE A DETENTE D. 9 B/83	EINRASTSTIFT D 9 B/83	CLAVIJA DE MUELLE D 9 B/83
7	F20100062	SPINA GASPARDO 25X128	GASPARDO PIN 25X128	BROCHE GASPARDO 25X128	STIFT GASPARDO25X128	CLAVIJA GASPARDO 25X128
8	15211270	BARRA 1°-2° PUNTO	1-2 LINKAGE BAR	BARRE 1.-2. P.	STAB 1.-2. P.	BARRA 1.-2. P.
9	15211411	FERMO ATTACCO RAPIDO	QUICK LINKAGE STOP	ARRET ATTELAGE RAPIDE	FESTSTELLVORRICHTUNG SCHNELLAN	BLOQUEO CONEXION RAPIDA
10	15410471	SUPP.PUNTELLO TEL.150	PROP SUPPORT TEL.150	SUPP. ETRESILLON TEL.150	HALTERUNG RAHMENSTÖTZE 150	SOPORTE PUNTAL BASTIDOR 150
11	22505031	TUBO TELAIO L=2800	FRAME PIPE L=2800	TUBE BATI L=2800	ROHR RAHMEN L=2800	TUBO BASTIDOR L=2800
11	22505032	TUBO TELAIO L=3200	FRAME PIPE L=3200	TUBE BATI L=3200	ROHR RAHMEN L=3200	TUBO BASTIDOR L=3200
11	15210690	TUBO TELAIO FISSO 150X5000	FIXED FRAME PIPE 150X5000	TUBE BATI FIXE 150X5000	ROHR FIXER RAHMEN 150X5000	TUBO BASTIDOR FIJO 150X5000
11	22505035	TUBO TELAIO L=5800	FRAME PIPE L=5800	TUBE BATI L=5800	ROHR RAHMEN L=5800	TUBO BASTIDOR L=5800
11	15210740	TUBO TELAIO FISSO 150X6000	FIXED FRAME PIPE 150X6000	TUBE BATI FIXE 150X6000	ROHR FIXER RAHMEN 150X6000	TUBO BASTIDOR FIJO 150X6000
12	F02200246	COPIGLIA 6 X45 1336 ZN	SPLIT PIN 6 X45 1336 GALVAN.	GOUPILLE 6 X45 1336 ZN	SPLINT 6 X45 1336 ZN	PASADOR 6 X45 1336 ZN
13	F02200584	SPINA DI SICUREZZA D.12X70 ZN	GALVAN. SAFETY PIN D.12X70	GOUPILLE DE S+CURIT+ D.12X70 Z	SCHERSTIFT D.12X70 ZN	PASADOR DE SEGURIDAD = 12X70 Z
14	15410492	PUNTELLO	PROP	+TR+SILLON	ST_TZE	PUNTAL
15	41601101	VITE 14 X160 5737 8.G	BOLT M 14 X160 5737 8.G	VIS M 14 X160 5737 8.G	SCHRAUBE M 14 X160 5737 8.G	TORNILLO M 14 X160 5737 8.G
15	41602124	VITE 14X220 5737 8.G ZN	BOLT 14X220 5737 8.G GALVANIZ.	VIS 14X220 5737 8.G ZN	SCHRAUBE 14X220 5737 8.G ZN	TORNILLO 14X220 5737 8.G ZN
16	16610040	TUBO RET.150X100X1900	RECTANGULAR PIPE 150X100X1900	TUBE RECTANGULAIRE 150X100X1900	RECHTECK.ROHR150X100X1900	TUBO RECT.150X100X1900
16	16610050	TUBO R.150X100X2480	RECTANGULAR PIPE 150X100X2480	TUBE RECT.150X100X2480	R. ROHR150X100X2480	TUBO RECT.150X100X2480
16	16610060	TUBO R.150X100X3500	RECTANGULAR PIPE 150X100X3500	TUBE RECT.150X100X3500	R. ROHR150X100X3500	TUBO RECT.150X100X3500
16	16610070	TUBO R.150X100X4200	RECTANGULAR PIPE 150X100X4200	TUBE RECT.150X100X4200	R. ROHR150X100X4200	TUBO RECT.150X100X4200
16	16610080	TUBO R.150X100X6X2750	RECTANGULAR PIPE 150X100X6X2750	TUBE RECT.150X100X6X2750	R. ROHR150X100X6X2750	TUBO RECT.150X100X6X2750
16	15211250	TUBO R.150X100X 6X2990	RECTANGULAR PIPE 150X100X6X2990	TUBE RECT.150X100X6X2990	R. ROHR150X100X6X2990	TUBO RECT.150X100X6X2990
17	15110091	SCONTRO A U	STRIKER	BRIDE 150 MM	ANSCHLAG	ELEMENTO DE EMPALME
18	F20120017	VOMERO REVERS.F37 40X5X135	SWIVEL PLOUGH-SHARE F37 40X5X135	SOC REVERS. F37 40X5X135	UMKEHRBARE SCHAR F37 40X5X135	REJAS REVERS. F37 40X5X135
19	67002011	BULLONE TESTA OVALE M10X35	OVAL HEAD BOLT M10X35	BOULON TETE OVALE M10X35	SCHRAUBE OVALER KOPFM10X35	PERNO CABEZA OVALADA M10X35
20	22270462	MOLLA ROMPIRACCIA VERNICIATA	PAINTED TRACE BR. SPRING	RESSORT BRISEUR DE TRACES VERN	FEDER SPURMESSER LACKIERT	MUELLE ROMPEHUELLE BARNIZADA
21	15471612	SUPPORTO ROMPIRACCIA Q.150	ROW-BREAKER SUPPORT 150	SUPPORT EFFACEUR DE TRACES 150	HALTERUNG SPURAUFREISSER 150	SOPORTE BORRAHUELLAS 150
22	F01020510	VITE 12X30 5739 8.G ZN	BOLT12X30 5739 8.G GALVANIZED	VIS 12X30 5739 8.G ZN	SCHRAUBE 12X30 5739 8.G ZN	TORNILLO 12X30 5739 8.G ZN
23	F01200306	DADO 14 5588 6.8 ZN	NUT 14 UNI 5588 6.8 GALVANIZED	ECROU 14 UNI 5588 6.8 ZN	MUTTER 14 UNI 5588 6.8 ZN	TUERCA 14 UNI 5588 6.8 ZN
24	18800320	BOCCOLA 10,25X18X13	BUSHING 10,50X18X31	BOITE 10,50X18X31	B_CHSE 10,50X18X31	CASQUILLO 10,50X18X31
25	F01420060	ROND.PIANA 11X30X2,5 6593 ZN	FLAT WASHER 11X30X2-5 6593 ZN	ROND.PLATE 11X30X2-5 6593 ZN	SCHEIBE 11X30X2-5 6593 ZN	ARAND. PLANA 11X30X2-5 6593 ZN
26	F01020484	VITE 10X45 5739 8.G ZN	BOLT 10X45 5739 8.G GALVANIZED	VIS 10X45 5739 8.G ZN	SCHRAUBE 10X45 5739 8.G ZN	TORNILLO 10X45 5739 8.G ZN
27	F01220233	DADO TRISTOP M10	NUT TRISTOP M10	ECROU TRISTOP M10	MUTTER TRISTOP M10	TUERCA TRISTOP M10
28	18902960	MOLLA TRAZ. TRASM.RUOTA ZN	TRANSMISSION TENSIONER SPRING	RESSORT TRACT. ENTRAIN. ROUE Z	ZUGFEDER RADANTRIEB ZN	MUELLE TRAC. TRANSM.RUEDA ZN
29	15410122	PRIMO/SECONDO PUNTO	FIRST/SECOND POINT	PREMIER/DEUXIEME POINT	ERSTER/ZWEITER PUNKT	PRIMER/SEGUNDO PUNTO
30	15211770	TERZO PUNTO RINF.150	THIRD POINT REINFORCEMENT 150	TROISIEME POINT RENFORCE	DRITTER PUNKT VERSTZRKT	TERCER PUNTO REF.
31	F20100078	SPINA GASPARDO 28X99	GASPARDO PIN 28X99	BROCHE GASPARDO 28X99	STIFT GASPARDO 28X99	CLAVIJA GASPARDO 28X99



# SEGNAFILE

TAV. 52/113

Pos.	Cod.	Descrizione	Description	Description	Benennung	Description
1	16610230	CAVALLOTTO MANICOTTO DISCO	DISK SLEEVE U BOLT	ETRIER MANCHON DISQUE	_BERBR_CKUNG MUFFE SCHEIBE	ABRAZADERA MANGUITO DE DISCO
2	07000039	CATENELLA	CHAIN	CHAINETTE	KETTE	CADENA
3	17111290	MANICOTTO DISCO	DISC COUPLING SLEEVE	MANCHON DISQUE	SCHEIBENMUFFE	MANGUITO DISCO
4	16610200	DISCO D.320 COMPL	DISK D.320 COMPL	DISQUE D.320 COMPLET	SCHEIBE D.320 KOMP	DISCO D.320 COM
5	15412720	PUNTELLO	PROP	+TR+SILLON	ST_TZE	PUNTAL
6	15412691	BRACCIO SEGNAFILE SX	LH FOLDING ARM	BRAS PLIANT GCH.	KLAPPBARER ARM LI.	BRAZO PLEGABLE IQZ.
7	15412680	SUPPORTO SEGNAFILE SX	LEFT ROWMARKER SUPPORT	SUPPORT TRACEUR GCH	HALTERUNG REIHENANREISSER LI	SOPORTE MARCADOR DE FILAS IQZ
8	23440198	SCONTRIO ATTACCO BRACCIO HL/2	STRIKER PLATE ARM ATTACH. HL/2	BUTEE FIXATION BRAS HL/2	ARMKUPPLUNGSANSCHLAG HL/2	ELEMENTO DE EMPALME CONEXIN BC
9	F02200562	SPINA DI SICUREZZA D.8X70 ZN	SAFETY PIN D.8X70 ZN	FICHE DE SECURITE D. 8X70 ZN	SICHERHEITSTIFT D.8X70 ZN	CLAVIJA DE SEGURIDAD D.8X70 ZN
10	18701600	RONDELLA 35,5 X50 X3 ZN	WASHER 35,5 X 50 X 3- GALVANIZ	RONDELLE 35-5 X50 X3 ZN	UNTERLEGSCHSHEIBE 35-5 X50 X3	ARANDELA 35-5 X50 X3 ZN
11	F01200270	DADO 10 5588 6.8 ZN	SCREW 10 UNI 5588 6.8 GALVANIZ	ECROU 10 UNI 5588 6.8 ZN	MUTTER 10 UNI 5588 6.8 ZN	TUERCA 10 UNI 5588 6.8 ZN
12	F02200507	SPINA A SCATTO D 9 B/83	SNAP PIN D 9 B/83	FICHE A DETENTE D. 9 B/83	EINRASTSTIFT D 9 B/83	CLAVIJA DE MUELLE D 9 B/83
13	F02100146	SPINA EL.8 X55 DIN 1481	SPIN EL. .8 X55 DIN 1481	FICHE EL.8 X55 DIN 1481	SPANNSTIFT 8 X55 DIN 1481	CLAVIJA EL.8 X55 DIN 1481
14	F01100011	INGRASSA.A SFERE M6X1/A	SPHERE NIPPLE M6X1/A	GRAISSEUR A BILLES M6X1/A	KUGELFETTBsCHSE M6X1/A	ENGRAS. DE ESFERAS M6X1/A
15	15412810	ATTACCO FUNE SEGNAFILE	ROW MARKER ROPE LINKAGE	FIXATION CABLE TRACEUR	SEILKUPPLUNG SPURANZEIGER	CONEXIÓN CABLE MARCADOR DE FIL
16	16240500	CAVALLOTTO ZN	U-BOLT GALVAN	CAVALIER ZN	BsGELBOLZEN ZN	PERNO EN U ZN
17	19203740	ELEMENTO FISSAGGIO GAMBO ZN.	GALVAN. SHANK FASTENING ELEMEN	ELEMENT FIXATION TIGES ZN	BEFESTIGUNGSELEMENT SCHZCHTE Z	ELEMENTO SUJECIN VμSTAGOS ZN
18	15412850	SUPPORTO SEGNAFILE DX	RIGHT ROWMARKER SUPPORT	SUPPORT TRACEUR DRT	HALTERUNG REIHENANREISSER RE	SOPORTE MARCADOR DE FILAS DER
19	15412861	BRACCIO SEGNAFILE DX	RH FOLDING ARM	BRAS PLIANT DRT.	KLAPPBARER ARM RE.	BRAZO PLEGABLE DER.
20	15412780	PROLUNGA BRACCIO SEGNAFILE	ROWMARKER EXTENSION	RALLONGE TRACEUR SOL.	VERLNGERUNG SPURREISSER	PROLONG. MARC. DE FILAS
21	F01020122	VITE 10X70 5737 8.G ZN	BOLT10X70 5737 8.G GALVANIZED	VIS 10X70 5737 8.G ZN	SCHRAUBE 10X70 5737 8.G ZN	TORNILLO 10X70 5737 8.G ZN
22	19203730	FONDELLO ZN	GALVAN. HOLDER	FOND ZN	BODENSCHSHEIBE ZN	FONDO ZN
23	16610160	SUPP.CUSCINETTI DISCO SEGN.ZN.	GALVAN. ROWMAKER DISK BEARING	SUPPORT ROULEMENTS DISQUE TRAC	SCHEIBENLAGERHALTERUNG	SOPORTE COJINETE DE DISCO MARC
24	F04010164	CUSCINETTO 6204 2RS	BEARING 6204 2RS	ROULEMENT 6204 2RS	LAGER 6204 2RS	COJINETE 6204 2RS
25	18801270	BOCCOLA 21 X25 X12 ZN	BUSHING 21 X 25 X 12 ZN	BOITE 21 X25 X12 ZN	BsCHSE 21 X25 X12 ZN	CASQUILLO 21 X25 X12 ZN
26	F02050631	ANELLO ARR.47 UNI 7437-75	STOP RING 47 UNI 7437-75	BAGUE ARRET 47 UNI 7437-75	RING 47 UNI 7437-75	ANILLO PARADA 47 UNI 7437-75
27	65337004	MOLLA TRAZ.SOLLEV. FU	TRACTION SPRING LIFT. FU	RESSORT TRACT. LEVAGE FU	ZUGFEDER HEBUNG FU	MUELLE TRAC. LEVDEL. FU
28	F03010576	GUARNIZIONE OR 2200	O-RING 2200	GARNITURE OR 2200	DICHTUNG OR 2200	JUNTA OR 2200
29	F01020476	VITE 10X30 5739 8.G ZN	BOLT 10X30 5739 8.G GALVANIZED	VIS 10X30 5739 8.G ZN	SCHRAUBE 10X30 5739 8.G ZN	TORNILLO 10X30 5739 8.G ZN
30	16610170	DISCO SEGNAFILE D.320	ROW MARKER DISK D.320	DISQUE TRACEUR D320	SPURREISSERSCHSHEIBE D. 320	DISCO MARCARDOR DE FILAS O 320
31	F01200244	DADO 8 5588 6.8 ZN	NUT 8 UNI 5588 6.8 GALVANIZED	ECROU 8 UNI 5588 6.8 ZN	MUTTER 8 UNI 5588 6.8 ZN	TUERCA 8 UNI 5588 6.8 ZN
32	F01230098	DADO AUTOB.NOR.18 ZN	NORMAL SELF-LOCKING NUT 18 GAL	ECROU AUTOB. NOR. 18 ZN	MUTTER AUTOB.NOR.18 ZN	TUERCA AUTOB. NOR.18 ZN
33	16610180	PERNO REGGIDISCO SEGNAF.	ROWMAKER DISC-HOLDER PIN	PIVOT PORTE-DISQUE TRACEUR	SCHEIBENTRAGBOLZEN	PERNO SOPORTE DISCO MARCAFILA
34	65336135	MOLLA GUIDACORDA D.45	ROPE GUIDE SPRING D.45	RESSORT GUIDE-CORDE D. 45	FEDER SEILFsHRUNG D.45	MUELLE GUA CUERDA D.45 A
35	15470810	SUPPORTO GUIDACORDA SP	ROPE GUIDE SUPPORT SP	SUPPORT GUIDE-CORDE SP	HALTERUNG SEILFsHRUNG SP	SOPORTE GUIACUERDA SP
36	15413150	CAVALLOTTO M14X165-128	U-BOLT M14X165-128	CAVALIER M14X165-128	VERBINDUNG M14X165-128	PERNO EN U M14X165-128
37	F01200306	DADO 14 5588 6.8 ZN	NUT 14 UNI 5588 6.8 GALVANIZED	ECROU 14 UNI 5588 6.8 ZN	MUTTER 14 UNI 5588 6.8 ZN	TUERCA 14 UNI 5588 6.8 ZN
38	16610190	CHIUSURA CUSCINETTO ZN	GALVAN. BEARING CLOSURE	FERMETURE ROULEMENT ZN	LAGERVERSCHLUSS ZN	CIERRE COJINETE ZN
39	F01060040	VITE 8 X20 5732 4.6 ZN	BOLT 8 X20 5732 4.6 GALVANIZED	VIS 8 X20 5732 4.6 ZN	SCHRAUBE 8 X20 5732 4.6 ZN	TORNILLO 8 X20 5732 4.6 ZN
40	15413020	SPINA 15X120 ZN	GALVANIZED PIN 15X120	GROUPILLE 15X120 ZN	STIFT 15X120 ZN	CLAVIJA 15X120 ZN
41	15413010	SPINA 15X62 ZN	PIN 15X62 ZN	GROUPILLE 15X62 ZN	BOLZENSTIFT 15X62 ZN	PASADOR 15X62 ZN
42	F02200194	COPIGLIA 4 X25 1336 ZN	SPLIT PIN 4 X25 1336 GALVAN.	GROUPILLE 4 X25 1336 ZN	SPLINT 4 X25 1336 ZN	PASADOR 4 X25 1336 ZN
43	20970142	RONDELLA 32X4X15,5	WASHER 32X4X15-5	RONDELLE 32X4X15-5	UNTERLEGSCHSHEIBE 32X4X15-5	ARANDELA 32X4X15-5
44	20970111	RONDELLA 29,8X2X16,5	WASHER 29,8X2X16,5	RONDELLE 29,8X2X16,5	UNTERLEGSCHSHEIBE 29,8X2X16,5	ARANDELA 29,8X2X16,5
45	13811261	FALCIONE SEGNAFILE INT.	INNER ROWM. CUTTER	HACHOIR TRACEUR INT.	SZSCHAR SPURREISSER INNEN	GUADAYADORA MARCADOR DE HILE
46	15470232	SUPPORTO MOLLA PIATTA 150	FLAT SPRING SUPPORT 150	SUPPORT RESSORT PLAT 150	HALTERUNG FLACHFEDER 150	SOPORTE MUELLE PLANO 150
47	18901092	GAMBO CONCIMAZ.MOLLA PIATTA SP	FLAT SPRING MANURING LEG SP	TIGE FUMAGE RESSORT PLAT SP	SCHAFT DsNGUNG FLACHE FEDER SP	VμSTAGO ABONO MUELLE CHATO SP
48	18902861	RINF.MOLLA PIATTA CONCIM.SP	MANUR.PLATE SPRING REINFORCE.S	RENF. RESSORT PLAT FUMAGE SP	VERSTZRKUNG FLACHFEDER DsNGUNG	REFUERZO MUELLE ABONO SP
49	F01020512	VITE 12X35 5739 8.G ZN	BOLT 12X35 5739 8.G GALVANIZED	VIS 12X35 5739 8.G ZN	SCHRAUBE 12X35 5739 8.G ZN	TORNILLO 12X35 5739 8.G ZN
50	F01200293	DADO 12 5588 6.8 ZN	NUT 12 UNI 5588 6.8 GALVANIZED	ECROU 12 UNI 5588 6.8 ZN	MUTTER 12 UNI 5588 6.8 ZN	TUERCA 12 UNI 5588 6.8 ZN
51	41602124	VITE 14X220 5737 8.G ZN	BOLT 14X220 5737 8.G GALVANIZ.	VIS 14X220 5737 8.G ZN	SCHRAUBE 14X220 5737 8.G ZN	TORNILLO 14X220 5737 8.G ZN
52	15110091	SCONTRIO A U	STRIKER	BRIDE 150 MM	ANSCHLAG	ELEMENTO DE EMPALME
53	15211910	BRACCIO SEGNAFILE SX	LEFT ROW MARKER ARM ASSEMBLY	GR. BRAS TRACEUR GCH	EINHEIT REIHENANREISSERARM LI	BRAZO MARCADOR DE FILAS IQZ
54	15211930	BRACCIO SEGNAFILE DX	RIGHT ROW MARKER ARM ASSEMBLY	GR. BRAS TRACEUR DRT	EINHEIT REIHENANREISSERARM RE	BRAZO MARCADOR DE FILAS DER

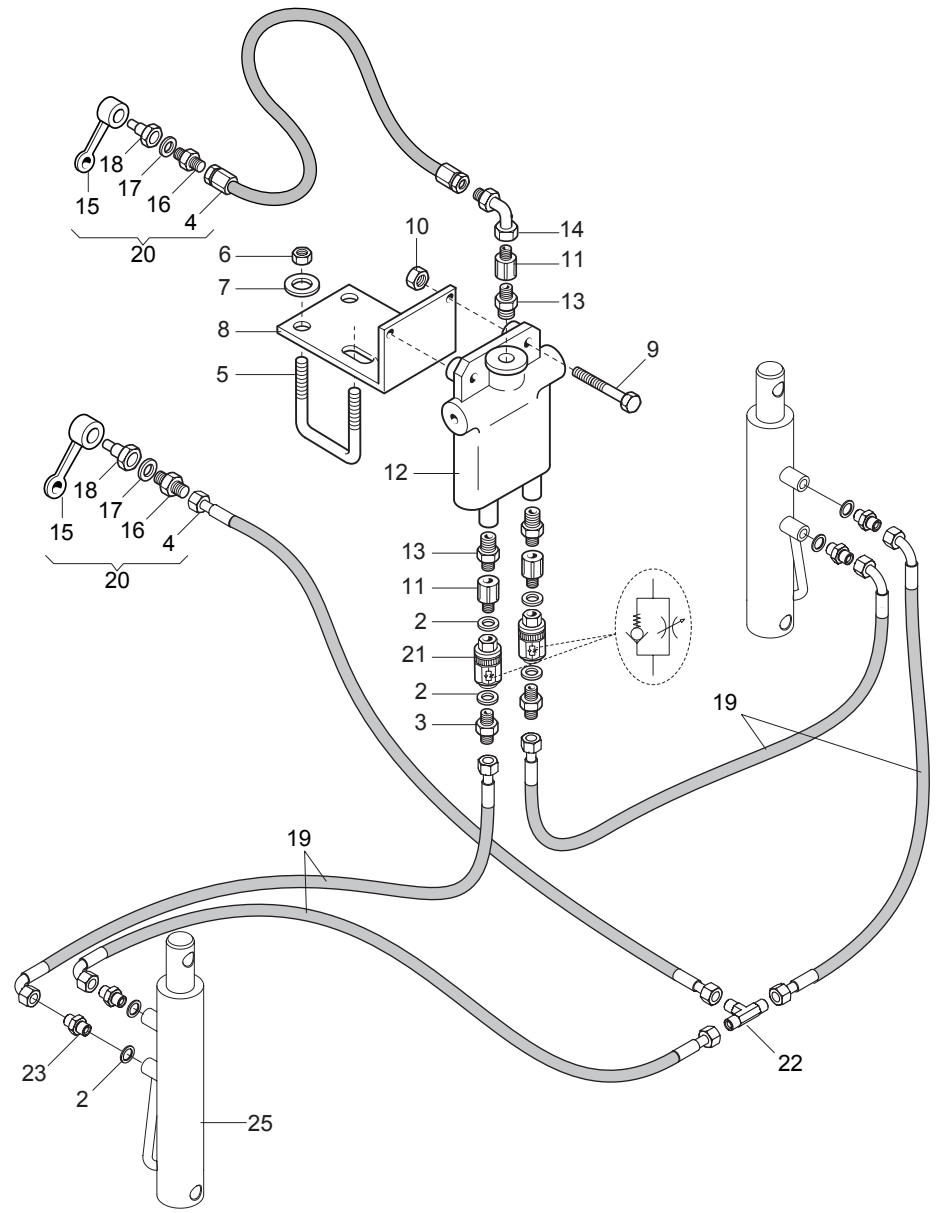
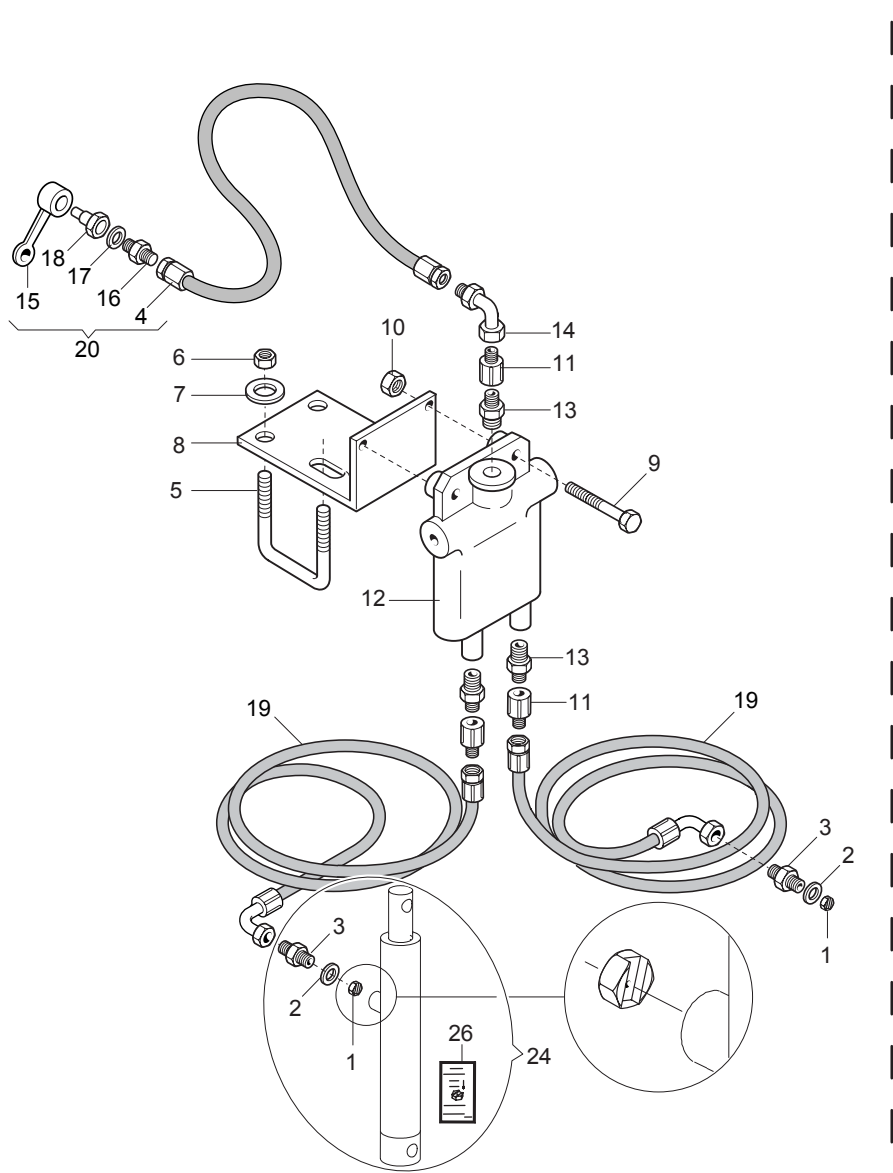




# SEGNAFILE RINFORZATO

TAV. 52/122

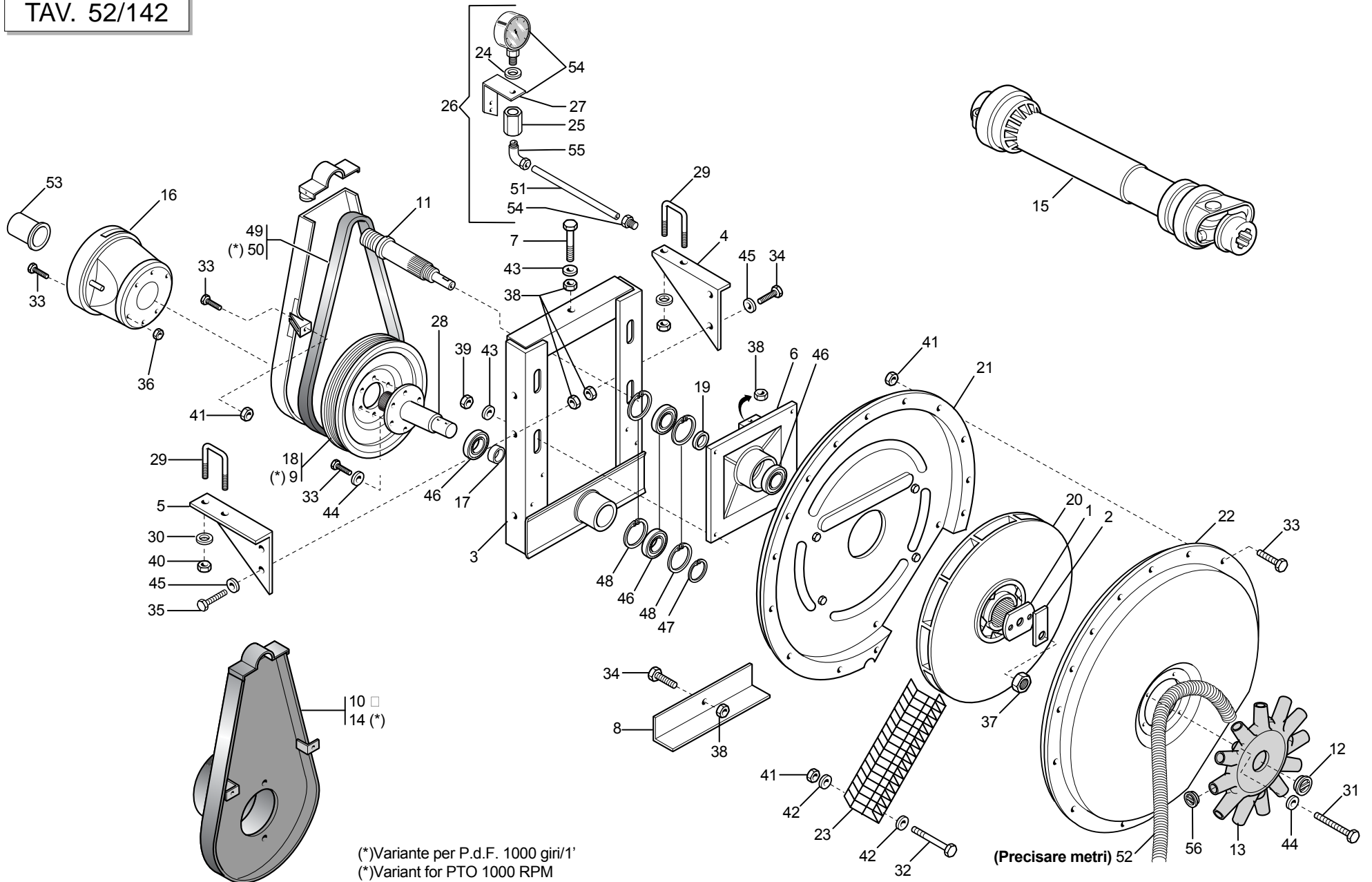
Pos.	Cod.	Descrizione	Description	Description	Benennung	Descripcion
1	07000039	CATENELLA	CHAIN	CHAINETTE	KETTE	CADENA
2	15413020	SPINA 15X120 ZN	GALVANIZED PIN 15X120	GOUPILLE 15X120 ZN	STIFT 15X120 ZN	CLAVIJA 15X120 ZN
3	15411381	SUPPORTO BRACCIO DX	RIGHT ARM SUPPORT	RACLEUR GCH BAGUE	HALTERUNG ARM RE	SOPORTE BRAZO DER
4	15411391	SUPPORTO BRACCIO SX	LEFT ARM SUPPORT	SUPPORT BRAS GCH	HALTERUNG ARM LI	SOPORTE BRAZO IZQ
5	15411471	BRACCIO SEGNAFILE FRANCIA	FRENCH ROWMARKER ARM	BRAS TRACEUR	SPURREISSERARM	BRAZO MARCADOR DE FILAS
6	16912250	BRACCIO SEGNAFILE	ROW MARKER ARM	BRAS TRACEUR	SPURREISSERARM	BRAZO MARCADOR SURCOS
7	14215830	ASSE SEGNAFILE ZN	GALVAN. ROWMAKER AXLE	AXE BRAS TRACEUR ZN	REISSERASCHE	EJE MARCADOR DE FILAS
8	19203730	FONDELLO ZN	GALVAN. HOLDER	FOND ZN	BODENSCHLEIBE ZN	FONDO ZN
9	16610160	SUPP.CUSCINETTI DISCO SEGN.ZN.	GALVAN. ROWMAKER DISK BEARING	SUPPORT ROULEMENTS DISQUE TRAC	SCHEIBENLAGERHALTERUNG	SOPORTE COJINETE DE DISCO MARC
10	F04010164	CUSCINETTO 6204 2RS	BEARING 6204 2RS	ROULEMENT 6204 2RS	LAGER 6204 2RS	COJINETE 6204 2RS
11	18801270	BOCCOLA 21 X25 X12 ZN	BUSHING 21 X 25 X 12 ZN	BOITE 21 X25 X12 ZN	BsCHSE 21 X25 X12 ZN	CASQUILLO 21 X25 X12 ZN
12	F02050631	ANELLO ARR.47 UNI 7437-75	STOP RING 47 UNI 7437-75	BAGUE ARRET 47 UNI 7437-75	RING 47 UNI 7437-75	ANILLO PARADA 47 UNI 7437-75
13	22270186	SPINA INF.CILINDRO SEGN. SP	LOWER CYLINDR. ROWMARKER PIN S	BROCHE INF.CYLINDRE TRACEUR SP	SPURREISSER UNT. ZYLINDER STIF	CLAVIJA INF.CILINDRO MARC. FIL
14	F03010576	GUARNIZIONE OR 2200	O-RING 2200	GARNITURE OR 2200	DICHTUNG OR 2200	JUNTA OR 2200
15	16912470	SCONTRO FISS.MANICOTTO TQ.50	STRIKER PLATE SLEEVE	BUTEE MANCHON	ANSCHLAG MUFFE	ELEMENTO DE EMPALME MANGUITO
16	17111330	SCONTRO 90X70 -10 4F11 66X46	STOP TEETH 90X70 -10 4F11 66X4	BUT+E 90X70 -10 4TROUS 11 66X4	ANSCHLAG 90X70 -10 4F11 66X46	DIENTE DE PARADA 90X70 -10 4F1
17	16912480	CAVALLOTTO M10X46 TONDO ZN	U BOLT M10X46 ZN	CAVALIER M10X46 ZN	VERBINDUNG M10X46 ZN	PERNO EN U M10X46 ZN
18	17111290	MANICOTTO DISCO	DISC COUPLING SLEEVE	MANCHON DISQUE	SCHEIBENMUFFE	MANGUITO DISCO
19	16610180	PERNO REGGIDISCO SEGNAF.	ROWMAKER DISC-HOLDER PIN	PIVOT PORTE-DISQUE TRACEUR	SCHEIBENTRAGBOLZEN	PERNO SOPORTE DISCO MARCAFILE
20	16610170	DISCO SEGNAFILE D.320	ROW MARKER DISK D.320	DISQUE TRACEUR D320	SPURREISSERSCHLEIBE D. 320	DISCO MARCADOR DE FILAS O 320
21	16610220	DISCO D.320 LIMITATORE COMPL	LIMITER DISK D.320 COMPL	DISQUE LIMITEUR D.320 COMPLET	BREGENZERSCHLEIBE D.320 KOMP	DISCO LIMITADOR D.320 COM
22	F01020168	VITE 12X90 5737 8.G ZN	BOLT 12X90 5737 8.G GALVANIZED	VIS 12X90 5737 8.G ZN	SCHRAUBE 12X90 5737 8.G ZN	TORNILLO 12X90 5737 8.G ZN
23	15110091	SCONTRO A U	STRIKER	BRIDE 150 MM	ANSCHLAG	ELEMENTO DE EMPALME
24	F01020077	VITE 8 X60 5737 8.G ZN	BOLT 8 X60 5737 8.G GALVANIZED	VIS 8 X60 5737 8.G ZN	SCHRAUBE 8 X60 5737 8.G ZN	TORNILLO 8 X60 5737 8.G ZN
25	F01020088	VITE 8 X90 5737 8.G ZN	BOLT 8 X90 5737 8.G GALVANIZED	VIS 8 X90 5737 8.G ZN	SCHRAUBE 8 X90 5737 8.G ZN	TORNILLO 8 X90 5737 8.G ZN
26	41602124	VITE 14X220 5737 8.G ZN	BOLT 14X220 5737 8.G GALVANIZ.	VIS 14X220 5737 8.G ZN	SCHRAUBE 14X220 5737 8.G ZN	TORNILLO 14X220 5737 8.G ZN
27	F01060040	VITE 8 X20 5732 4.6 ZN	BOLT 8 X20 5732 4.6 GALVANIZED	VIS 8 X20 5732 4.6 ZN	SCHRAUBE 8 X20 5732 4.6 ZN	TORNILLO 8 X20 5732 4.6 ZN
28	F01410076	RONDELLA D12 UNI 6592 ZN	WASHER D12 UNI 6592 ZN	RONDELLE D12 UNI 6592 ZN	UNTERLEGSCHLEIBE D12 UNI 6592 Z	ARANDELA D12 UNI 6592 ZN
29	F01200293	DADO 12 5588 6.8 ZN	NUT 12 UNI 5588 6.8 GALVANIZED	ECROU 12 UNI 5588 6.8 ZN	MUTTER 12 UNI 5588 6.8 ZN	TUERCA 12 UNI 5588 6.8 ZN
30	F01200306	DADO 14 5588 6.8 ZN	NUT 14 UNI 5588 6.8 GALVANIZED	ECROU 14 UNI 5588 6.8 ZN	MUTTER 14 UNI 5588 6.8 ZN	TUERCA 14 UNI 5588 6.8 ZN
31	F01200244	DADO 8 5588 6.8 ZN	NUT 8 UNI 5588 6.8 GALVANIZED	ECROU 8 UNI 5588 6.8 ZN	MUTTER 8 UNI 5588 6.8 ZN	TUERCA 8 UNI 5588 6.8 ZN
32	F01230098	DADO AUTOB.NOR.18 ZN	NORMAL SELF-LOCKING NUT 18 GAL	ECROU AUTOB. NOR. 18 ZN	MUTTER AUTOB.NOR.18 ZN	TUERCA AUTOB. NOR.18 ZN
33	F01410088	RONDELLA D14 UNI 6592 ZN	WASHER D14 UNI 6592 GALVANIZED	RONDELLE D14 UNI 6592 ZN	UNTERLEGSCHLEIBE D14 UNI 6592 Z	ARANDELA D14 UNI 6592 ZN
34	F01420048	ROND.PIANA 9X 24X2 6593 ZN	FLAT WASHER 9X 24X2 6593 GALV.	ROND. PLATE 9X 24X2 6593 ZN	SCHLEIBE 9X 24X2 6593 ZN	ARAND. PLANA 9X 24X2 6593 ZN
35	F02200227	COPIGLIA 5 X30 1336 ZN	SPLIT PIN 5 X30 1336 GALVAN.	GOUPILLE 5 X30 1336 ZN	SPLINT 5 X30 1336 ZN	PASADOR 5 X30 1336 ZN
36	F02200507	SPINA A SCATTO D 9 B/83	SNAP PIN D 9 B/83	FICHE A DETENTE D. 9 B/83	EINRASTSTIFT D 9 B/83	CLAVIJA DE MUELLE D 9 B/83
37	16610190	CHIUSURA CUSCINETTO ZN	GALVAN. BEARING CLOSURE	FERMETURE ROULEMENT ZN	LAGERVERSCHLUSS ZN	CIERRE COJINETE ZN
38	16610210	ASS.LIMITATORE PROFONDITA'	LIMITER DEPTH COUPLYNG	GR. ASS. LIMITEUR DE PROFONDEU	TIEFENBEGRENZERKOMPLEX	CONJ. LIMITADOR DE PROFUNDIDAD
39	F01200270	DADO 10 5588 6.8 ZN	SCREW 10 UNI 5588 6.8 GALVANIZ	ECROU 10 UNI 5588 6.8 ZN	MUTTER 10 UNI 5588 6.8 ZN	TUERCA 10 UNI 5588 6.8 ZN
40	F05150459	PARACOLPI CIL.75X25 M12 781103	RUBBER BUFFER- CYLINDR. 75X25	PARE-CHOCs CYL. 75X25 M12 7811	PUFFER ZYL.75X25 M12 781103	PARAGOLPES CIL.75X25 M12 78110



# IMPIANTO OLEODINAMICO SEGNAFILE

TAV. 52/132

Pos.	Cod.	Descrizione	Description	Description	Benennung	Description
1	15413050	STROZZATORE A PASTIGLIA D.0,8	PAD VENTURI D.0,8	ETRANGLEUR D.0,8	DROSSEL D.0,8	ESTRANGULADOR D.0,8
2	F03151238	RONDELLA RAME 1/4	1/4 COPPER WASHER	RONDELLE CUIVRE a	UNTERLEGSSCHEIBE KUPFER 1/4	ARANDELA COBRE 1/4
3	F03150266	NIPPLO MASCH.CIL.1/4 ZN	NIPPLE GALV.CYLINDR.MALE 1/4	NIPPLE MALE CYL. 1/4 ZN	NIPPELZYL.1/4 ZN	NIPLE MACHO CIL.1/4 ZN
4	22270463	TUB.TR.1/4R2 F-F 1/4 L1500 LM	TUBE TR.1/4R2 F-F1/4 L1500 LM	TUB.TR.1/4R2 F-F 1/4 L1500 LM	ROHR1/4R2 F-F 1/4 L1500 LM	TUB.TR.1/4R2 F-F 1/4 L1500 LM
5	15111050	CAVALLOTTO M14X96 - 119 ZN	U-BOLT M14X96 - 119 ZN	CAVALIER M14X96 - 119 ZN	VERBINDUNG M14X96 - 119 ZN	PERNO EN U M14X96 - 119 ZN
6	F01200306	DADO 14 5588 6.8 ZN	NUT 14 UNI 5588 6.8 GALVANIZED	ECROU 14 UNI 5588 6.8 ZN	MUTTER 14 UNI 5588 6.8 ZN	TUERCA 14 UNI 5588 6.8 ZN
7	18700690	RONDELLA 15 X40 X6 ZN	WASHER 15 X 40 X 6 ZN	RONDELLE 15 X40 X6 ZN	UNTERLEGSSCHEIBE 15 X40 X6 ZN	ARANDELA 15 X40 X6 ZN
8	15412350	SUPPORTO VALVOLA SEGNAFILE	ROWMARKER VALVE SUPPORT	SUPPORT SOUPAPE TRACEUR	VENTILHALTERUNG SPURREISSER	SOPORTE VÆLVULA MARC. DE FILAS
9	F01020068	VITE 8 X40 5737 8.G ZN	BOLT 8 X40 5737 8.G GALVANIZED	VIS 8 X40 5737 8.G ZN	SCHRAUBE 8 X40 5737 8.G ZN	TORNILLO 8 X40 5737 8.G ZN
10	F01200244	DADO 8 5588 6.8 ZN	NUT 8 UNI 5588 6.8 GALVANIZED	ECROU 8 UNI 5588 6.8 ZN	MUTTER 8 UNI 5588 6.8 ZN	TUERCA 8 UNI 5588 6.8 ZN
11	F03151194	PROLUNGA CORTA 036 1/4	SHORT EXTENSION 036 1/4	RALLONGE COURTE 036 1/4	KURZE VERLÄNGERUNG 036 1/4	PROLONG. CORTA 036 1/4
12	67007430	VALVOLA SEGNAFILE C.SQV >	ROW MARKER VALVE ATI C128513	SOUPAPE TRACEUR C.SQV	VENTIL SPURREISSER ATI C128513	VÆLVULA MARCAFILAS ATI C128513
13	F03150122	NIPPLO 3/4 JIC OR - 1/4	NIPPLE- 3/4 JIC OR - 1/4	NIPPLE 3/4 JIC OR - 1/4	NIPPEL 3/4 JIC OR - 1/4	NIPLE 3/4 JIC OR - 1/4
14	F03150859	CURVA 90° F.GIREV.1/4 - M.1/4	ELBOW 90° F. SWIVEL 1/4 -M.1/4	COUDE 90° F.TOURN.1/4 - M.1/4	KNIESTÜCK 90° F.DREHB.1/4 - M.	CURVA 90 F.GIRAT.1/4 - M.1/4C
15	F05150325	CAPPUCCIO INNESTO 1/2	CONNECTION CAP NUT 1/2	CAPUCHON ACCOUPLEMENT 1/2	HAUBE KUPPLUNG 1/2	CAPUCHON ACOPLAMIENTO 1/2
16	F03150211	NIPPLO MASCH.CIL.1/2-1/4 ZN	NIPPLE- GALVAN. CYLINDR.MALE-	NIPPLE MALE CYL. 1/2-1/4 ZN	NIPPELZYL.1/2-1/4 ZN	NIPLE MACHO CIL.1/2-1/4 ZN
17	F03151237	RONDELLA RAME 1/2	1/2 COPPER WASHER	RONDELLE CUIVRE ®	UNTERLEGSSCHEIBE KUPFER 1/2	ARANDELA COBRE 1/2
18	F03150935	INNESTO RAPIDO MASCH.CONO 1/2	QUICK CONNECT MALE CONE 1/2 CO	CONNEXION RAPIDE MALE CONE 1/2	SCHNELLKUPPLUNG GEWINDE KONISC	ACOPLAMIENTO RÆPIDO MACHO CONO
19	23440517	TUBO 1/4R2 C-F 1/4 L2000 HL/ID	PIPE 1/4R1 C-F 1/4 L2000 HL/ID	TUBE 1/4R1 C-F 1/4 L2000 HL/ID	ROHR 1/4R1 C-F 1/4 L2000 HL/ID	TUBO 1/4R1 C-F 1/4 L2000 HL/ID
19	22505140	TUBO 1/4R2 C-F 1/4 L.2350 LM	PIPE 1/4R1 C-F 1/4 L.2350 LM	TUBE 1/4R1 C-F 1/4 L. 2350 LM	ROHR 1/4R1 C-F 1/4 L.2350 LM	TUBO 1/4R1 C-F 1/4 L.2350 LM
19	22505141	TUBO 1/4R2 C-F L.2750 LM	PIPE 1/4R1 C-F L.2750 LM	TUBE 1/4R1 C-F L. 2750 LM	ROHR 1/4R1 C-F L.2750 LM	TUBO 1/4R1 C-F L.2750 LM
19	15210950	TUBO 1/4 R2 C-F 1/4 L.3150	PIPE 1/4-R2 C-F 1/4 M.3-15	TUBE 1/4-R2 C-F 1/4 M.3-15	ROHR 1/4-R2 C-F 1/4 M.3-15	TUBO 1/4-R2 C-F 1/4 M.3-15
19	22505143	TUBO 1/4R2 C-F 1/4 L.3500 LM	PIPE 1/4R1 C-F 1/4 L.3500 LM	TUBE 1/4R1 C-F 1/4 L. 3500 LM	ROHR 1/4R1 C-F 1/4 L.3500 LM	TUBO 1/4R1 C-F 1/4 L.3500 LM
19	15413060	TUBO 1/4R2 CF1/4- F1/4 3850	TUBE 1/4R2 CF1/4-F1/4 3850	TUYAU 1/4R2 CF1/4-F1/4 3850	SCHLAUCH 1/4R2 CF1/4-F1/4 3850	TUBO 1/4R2 CF1/4-F1/4 3850
19	16012650	TUBO R2 1/4 C-F L.4000	PIPE 1/4 R2 C-F 1/4 L.4000	TUBE 1/4 R2 C-F 1/4 L. 4000	ROHR 1/4 R2 C-F 1/4 L. 4000	TUBO 1/4 R2 C-F 1/4 L.4000
19	15413070	TUBO 1/4R2 CF1/4- F1/4 4250	TUBE 1/4R2 CF1/4-F1/4 4250	TUYAU 1/4R2 CF1/4-F1/4 4250	SCHLAUCH 1/4R2 CF1/4-F1/4 4250	TUBO 1/4R2 CF1/4-F1/4 4250
19	15413080	TUBO 1/4 C-F L.4650	TUBE 1/4 C-F L.4650	TUBE 1/4 C-F L.4650	ROHR 1/4 C-F L.4650	TUBO 1/4 C-F L.4650
20	13811211	TUBO X COLLEG. AL TRATTORE	PIPE FOR CONNECTION TO TRACTOR	TUBE POUR CONN. AU TRACTEUR	ROHR F. KUPPLUNG AM SCHLEPPER	TUBO P/CONEXIN AL TRACTOR T
21	F03151226	VALVOLA VRF 1/4' GAS	1/4' GAS VALVE VRF	SOUPAPE REG DEBIT VRF 1/4" GAZ	VENITL VRF 1/4' GAS	VÆLVULA VRF 1/4' GAS
22	F03151219	RACCORDO -T- MASCHIO 1/4 ZINC.	MALE T-UNION 1/4 ZINC.	RACCORD -T- MALE 1/4 ZING.	ANSCHLUSSTÜCK -T- GEWINDE 1/4	UNIN -T- MACHO 1/4 CINC. R
23	16011690	MONT.NIPPLO 1/4 GRANO F.1,0	UPRIGHT 1/4" NIPPLE WITH GRUB	MONTANT NIPPLE 1/4 AVEC GRAIN	STZNDER NIPPEL 1/4 MIT STIFT 8	MONT.NIPLE 1/4 TORNIL.SIN CABE
24	15413110	CILINDRO SEGNAFILE SP COMPL.	ROW MARKER CYLINDER SP	CYLINDRE TRACEUR SP	SYLINDER REIHENANREISSER SP	CILINDRO MARCADOR DE FILAS
25	16610140	CILINDRO DE 30X40 -155	CYLINDER D.E.30-40/155	CYLINDRE D.E. 30-40/155	ZYLINDER D.E.30-40/155	CILINDRO D.E. 30-40/155
26	19702710	DECAL.POSIZIONE STROZZATORE	VENTURI POSITION STICKER	DECALCOM POSITION TAQUET	ABZIEHBILD POSIZION DROSSELSTE	CALCOMAN-A. POSICIÉN ESTRANGUL



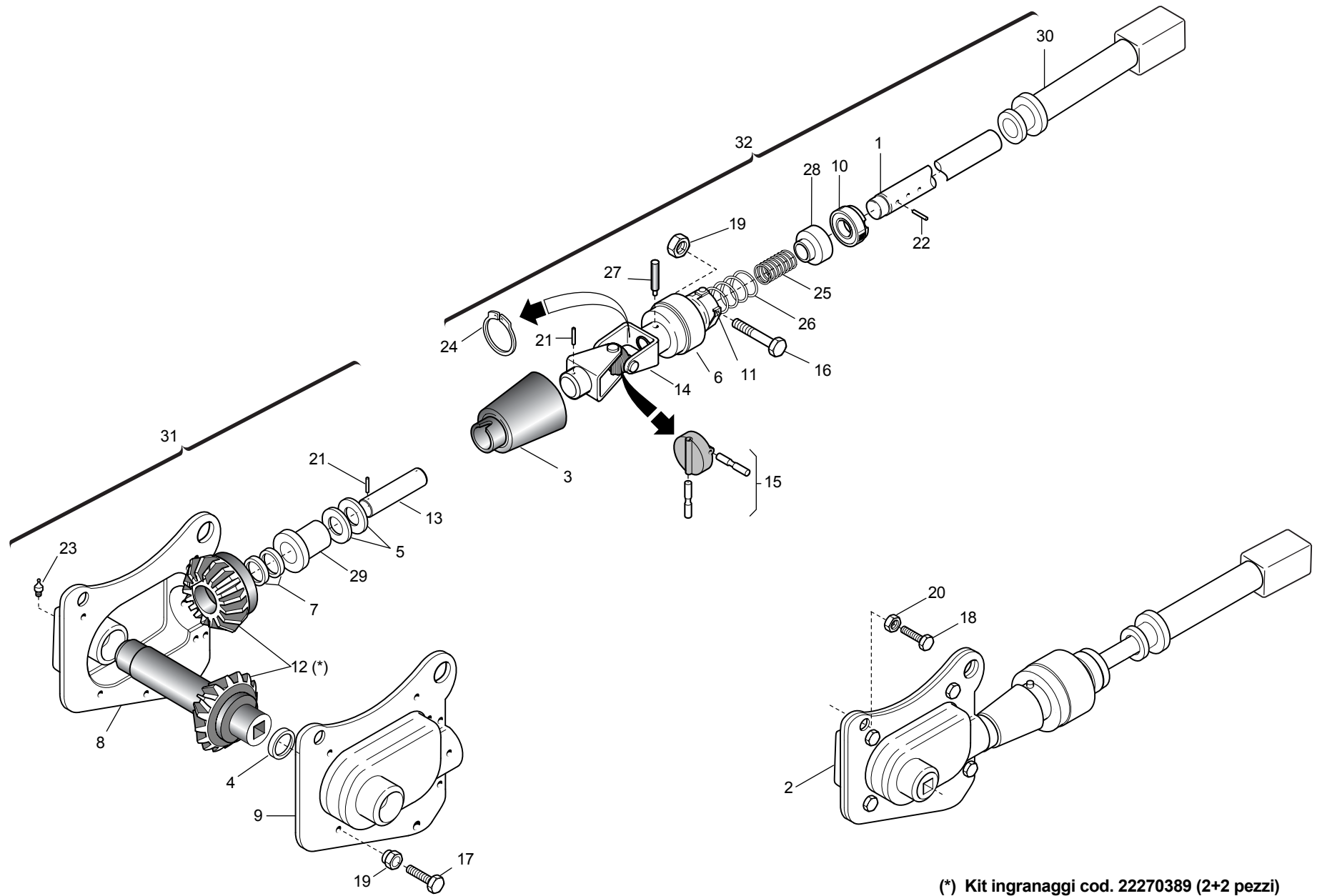
- (\*) Variante per P.d.F. 1000 giri/1'
- (\*) Variant for PTO 1000 RPM
- (\*) Variante pour P.d.F. 1000 T/M
- (\*) Variante zur leistungsabn, 1000UPM
- (\*) Variante pera P.d.F. 1000 RPM

(Precisare metri) 52

# DEPRESSORE

TAV. 52/142

Pos.	Cod.	Descrizione	Description	Description	Benennung	Descripcion
1	13912050	RONDELLA DI FERMO	STOP WASHER	RONDELLE DE BLOCAGE	FESTSTELLSCHEIBE	ARANDELLA DE BLOQUEO
2	13912060	PIASTRINA DI TENUTA	STOP PLATE	PLAQUETTE DE TENUE	DICHTPLZTTCHEN	PLACA DE RETENCIN P
3	15450041	INCASTELLATURA DEPRESSORE SP	CASING VACUUM PUMP SP	BATI DISPOSITIF DE DEPRESSION	GESTELL VAKUUMPUMPE SP	BASTIDOR BOMBA DE VACO SP C
4	15450050	SUPPORTO DX	RIGHT SUPPORT	SUPPORT DRT	HALTERUNG RE	SOPORTE DER
5	15450060	SUPPORTO SX	LEFT SUPPORT	SUPPORT GCH	HALTERUNG LI	SOPORTE IZQ
6	15450091	SUPPORTO PULEGGIA CONDOTTA	DRIVEN PULLEY SUPPORT	SUPPORT POULIE ENTRAINEE	HALTERUNG GETRIEBENE RIEMENSCH	SOPORTE POLEA CONDUCIDA
7	15450270	VITE 10X130 8.8 FIL.60 ZN	GALVANIZ. SCREW 10X130 8.8 FIL	VIS 10X130 8.8 FIL.60 ZN	SCHRAUBE 10X130 8.8 GEW.60 ZN	TORNILLO 10X130 8.8 FIL.60 ZN
8	15450280	PROTEZIONE DEPRESSORE	VACUUM PUMP PROTECTION	PROTECTION DEPRESSEUR	SCHUTZ VAKUUMPUMPE	PROTECCIN BOMBA DE VACO PR
9	15450310	PULEGGIA MOTRICE 1000 GIRI	DRIVING PULLEY 1000 REVS	POULIE MOTRICE 1000T	ANTRIEBSSCHEIBE 1000 UMDREHUNG	POLEA MOTRIZ 1000 REVOLUCIONES
10	15450341	PROTEZ.CINGHIA DEPRES.COMPLETO	VACUUM PUMP BELT GUARD COMPL.	PROTECT.COURROIE DEPRESS.COMPL	SCHUTZ RIEMEN VAK.PUMPE KOMPL	PROT.CORREA B.VACO COMPLETA P
11	15450390	PULEGGIA CONDOTTA	DRIVEN PULLEY D.28	POULIE ENTRAINEE D. 28	GETRIEBENE SCHEIBE D.28	POLEA CONDUCIDA D.28
12	F03150722	TAPPO 700 M52X2	M52 X 2 PLUG	BOUCHON M52 X 2	PFROFFEN M52 X 2	TAPN M52 X 2 D
13	19004480	CONVOGLIATORE 12 USCITE	CONVEYOR 12 OUTLETS	CONVOYEUR 12 SORTIES	TRICHTER MIT 12 AUSG-NGEN	TRANSPORTADOR 12 SALIDAS
14	15450500	PROTEZIONE CINGHIA 1000 GIRI	BELT GUARD 1000 RPM	PROTECTION COURROIE 1000 TOURS	RIEMENSCHUTZ 1000 UMDR.	PROTECCIN CORREA 1000 REV. P
15	F08011711	CARD.B1 Z6-Z6 L700	UNIVERSAL JOINT S10 0700F 112	CARD NORM S10 0700F1121121CAT	KARDAN S10 0700F 112 112 1CAT	CARDæN S10 0700F 112 112 1CAT
16	21010037	CUFFIA PROTEZIONE P.DI P.	POWER TAKE-OFF PROTECTION HOUS	PROTECTEUR PRISE DE PUISSANCE	SCHUTZKASTEN KRAFTABTRIEB	ENVOLTURA PROTECCIN T. DE P. G
17	22230010	DISTANZIALE CUSCINETTI	BEARING SPACER	ENTRETOISE PALIERS	DISTANZSTsCK LAGER	DISTANCIADOR COJINETES
18	22230012	PULEGGIA MOTRICE	DRIVING PULLEY	POULIE MOTRICE 540T	ANTRIEBSSCHEIBE	POLEA MOTRIZ
19	22230014	DISTANZIALE	SPACER	ENTRETOISE	DISTANZSTsCK	DISTANCIADOR
20	22230015	GIRANTE	IMPELLER	ROUE TURBINE	LAUFRAD	RODETE
21	22230018	INVOLUCRO ANTERIORE	INVOLUCRO ANTERIORE	INVOLUCRO ANTERIORE	INVOLUCRO ANTERIORE	INVOLUCRO ANTERIORE
22	22230019	INVOLUCRO POSTERIORE	INVOLUCRO POSTERIORE	INVOLUCRO POSTERIORE	INVOLUCRO POSTERIORE	INVOLUCRO POSTERIORE
23	10150291	GRIGLIA PROTEZIONE ZN	AIR PUMP PROTECT. GRID	GRILLE DE PROTECT.DISP. DEPRES	SCHUTZGITTER VAKUUMPUMPE	REJILLA DE PROTECCIN BOMBA VAG
24	F05150479	ROND.APPOGGIO MANOMETRI SV	PRESSURE GAUGE REST WASHER	ROND. LOGEMENT MANOMETRES SV	StsTZSCHEIBE MANOMETER SV	ARAND. SOPORTE MANOMETROS SV
25	22250274	COLLEGAMENTO MANOMETRI SP-SV	PRESSURE GAUGE CONNECT. SP-SV	RACCORD MANOMETRES SP-SV	VERBINDUNG MANOMETER SP-SV	CONEXIN MANMETROS SP-SV LE
26	22270093	VACUOMETRO COMPL. SP LM	VACUUM METER ASSY. SP LM	VACUOMETRE COMPL. SP LM	KOMPL. VAKUUMMETER SP LM	VACUOMETRO COMPL. SP LM V
27	22270134	SUPPORTO VACUOMETRO SP	VACUUM METER SUPPORT SP	SUPPORT VACUOMETRE SP	HALTERUNG VAKUUMMETER SP	SOPORTE VACUOMETRO SP S
28	22270369	P.DI P.CON CODOLO	POWER TAKE-OFF- W/ SPIGOT	PRISE DE FORCE AVEC CONE	KRAFTABTRIEB MIT ENDSTsCK	TOMA DE FUERZA CON MANGO
29	15111050	CAVALLOTTO M14X96 - 119 ZN	U-BOLT M14X96 - 119 ZN	CAVALIER M14X96 - 119 ZN	VERBINDUNG M14X96 - 119 ZN	PERNO EN U M14X96 - 119 ZN
30	18700690	RONDELLA 15 X40 X6 ZN	WASHER 15 X 40 X 6 ZN	RONDELLE 15 X40 X6 ZN	UNTERLEGSCHHEIBE 15 X40 X6 ZN	ARANDELA 15 X40 X6 ZN
31	F01020047	VITE 6 X70 5737 8.G ZN	BOLT 6 X70 5737 8.G GALVANIZED	VIS 6 X70 5737 8.G ZN	SCHRAUBE 6 X70 5737 8.G ZN	TORNILLO 6 X70 5737 8.G ZN
32	F01020050	VITE 6 X80 5737 8.G ZN	BOLT 6 X80 5737 8.G GALVANIZED	VIS 6 X80 5737 8.G ZN	SCHRAUBE 6 X80 5737 8.G ZN	TORNILLO 6 X80 5737 8.G ZN
33	F01020403	VITE 6 X16 5739 8.G ZN	BOLT 6X16 5739 8.G GALVANIZED	VIS 6X16 5739 8.G ZN	SCHRAUBE 6X16 5739 8.G ZN	TORNILLO 6X16 5739 8.G ZN
34	F01020472	VITE 10X25 5739 8.G ZN	BOLT 10X25 5739 8.G GALVANIZED	VIS 10X25 5739 8.G ZN	SCHRAUBE 10X25 5739 8.G ZN	TORNILLO 10X25 5739 8.G ZN
35	F01020479	VITE 10X35 5739 8.G ZN	BOLT 10X35 5739 8.G GALVANIZED	VIS 10X35 5739 8.G ZN	SCHRAUBE 10X35 5739 8.G ZN	TORNILLO 10X35 5739 8.G ZN
36	F01230022	DADO AUTOB.NOR.6 ZN	NORM.SELF-LOCKING NUT 6 GALVAN	ECROU AUTOB.NOR.6 ZN	SELBSTSP. MUTTER NOR.6 ZN	TUERCA AUTOB. NOR. 6 ZN
37	F01230143	DADO AUTOB.NOR.24X2 ZN	NORMAL SELF-LOCK.NUT 24X2 GAL	ECROU AUTOB. NOR. 24X2 ZN	MUTTER AUTOB.NOR.24X2 ZN	TUERCA AUTOB. NOR.24X2 ZN
38	F01200270	DADO 10 5588 6.8 ZN	SCREW 10 UNI 5588 6.8 GALVANIZ	ECROU 10 UNI 5588 6.8 ZN	MUTTER 10 UNI 5588 6.8 ZN	TUERCA 10 UNI 5588 6.8 ZN
39	F01200293	DADO 12 5588 6.8 ZN	NUT 12 UNI 5588 6.8 GALVANIZED	ECROU 12 UNI 5588 6.8 ZN	MUTTER 12 UNI 5588 6.8 ZN	TUERCA 12 UNI 5588 6.8 ZN
40	F01200306	DADO 14 5588 6.8 ZN	NUT 14 UNI 5588 6.8 GALVANIZED	ECROU 14 UNI 5588 6.8 ZN	MUTTER 14 UNI 5588 6.8 ZN	TUERCA 14 UNI 5588 6.8 ZN
41	F01220211	DADO TRISTOP M 6	NUT- TRISTOP M 6	ECROU TRISTOP M 6	MUTTER TRISTOP M 6	TUERCA TRISTOP M 6
42	F01420036	ROND.PIANA 6,6X 18X2 6593 ZN	FLAT WASHER 6-6X 18X2 6593 ZN	ROND. PLATE 6-6X 18X2 6593 ZN	SCHEIBE 6-6X 18X2 6593 ZN	ARAND. PLANA 6-6X 18X2 6593 ZN
43	F01420084	RONDELLA 14 X36 X3 ZN	GALVANIZED WASHER 14 X36 X3	RONDELLE 14 X36 X3 ZN	UNTERLEGSCHHEIBE 14 X36 X3 ZN	ARANDELA 14 X36 X3 ZN
44	F01430047	RONDELLA D6 DIN 6798 D.INT.ZN	WASHER D6 DIN 6798 D.INT.GALV.	RONDELLE D6 DIN 6798 D. INT. Z	UNT. SCHEIBE D6 DIN 6798 D. IN	ARANDELA D6 DIN 6798 D.INT.ZN
45	F01430023	RONDELLA D10 DIN 6798 D.INT.ZN	WASHER D10 DIN 6798 D.INT.ZN	RONDELLE D10 DIN 6798 D. INT.	UNT. SCHEIBE D10 DIN 6798 D.IN	ARANDELA D10 DIN 6798 D.INT.ZN
46	F04010215	CUSCINETTO 6306 2RS C3	BEARING 6306 2RS C3	PALIER 6306 2RS C3	LAGER 6306 2RS C3	COJINETE 6306 2RS C3
47	F02050617	ANELLO ARR.30 UNI 7435-75	STOP RING 30 UNI 7435-75	BAGUE ARRET 30 UNI 7435-75	RING 30 UNI 7435-75	ANILLO PARADA 30 UNI 7435-75
48	F02050641	ANELLO ARR.72 UNI 7437-75	STOP RING 72 UNI 7437-75	BAGUE ARRET 72 UNI 7437-75	RING 72 UNI 7437-75	ANILLO PARADA 72 UNI 7437-75
49	F06010160	CINGHIA POLY V 1287 J-16 GOLE	BELT- POLY V 1287 J-16 GOLE	COURROIE POLY V 1287 J-16 CANN	RIEMEN POLY V 1287 J-16 RILLEN	CORREA POLY V 1287 J-16 GARGAN
50	F06010161	CINGHIA POLY-V 1016 J-16 GOLE	BELT- POLY-V 1016 J-16 GOLE	COURROIE POLY-V 1016 J-16 GORG	RIEMEN POLY-V 1016 J-16 RILLEN	CORREA POLY-V 1016 J-16 GARGA
51	F03100391	TUBO MANOMETRO L.250 SV	PRESS. GAUGE PIPE L.250 SV	TUBE MANOMETRE L. 250 SV	ROHR MANOMETER L.250 SV	TUBO MANMETRO L.250 SV
52	F03100506	TUBO EOLO 45 PU	EOLO PIPE 45 PU	TUBE EOLO 45 PU	ROHR EOLO 45 PU	TUBO EOLO 45 PU
53	66248227	CUFFIA PROTEZIONE P.D.P.	POWER TAKE-OFF PROTECTION HOUS	PROTECTEUR PRISE DE PUISSANCE	SCHUTZKASTEN KRAFTABTRIEB	ENVOLTURA PROTECCIN T. DE P. G
54	F03151257	VACUOM.0-100 MBAR C.SMORZ.INC.	VACUUM METER 0-100 MBAR C.SMOR	VACUOMETRE 0-100 MBARS A/SUPPO	VAKUUMMETER 0-100 MBAR M. DZMP	VACUM. 0-100 MBAR C.ATEN.INC.V
55	F03151200	RACCORDO 90° C5 1/8" 6/8	UNION 90[ C5 1/8" 6/8	RACCORD 90[ C5 1/8" 6/8	ANSCHLUSSTsCK 90[ C5 1/8" 6/8	UNIN 90 C5 1/8" 6/8 RA
56	F05050020	TAPPO SALVAFILETTO D.39	CONVEYOR PLUG D.39	BOUCHON PROTEGE-FILET D. 39	GEWINDESCHUTZPFROFFEN D.39	TAPN GUARDARROSCA D.39 D

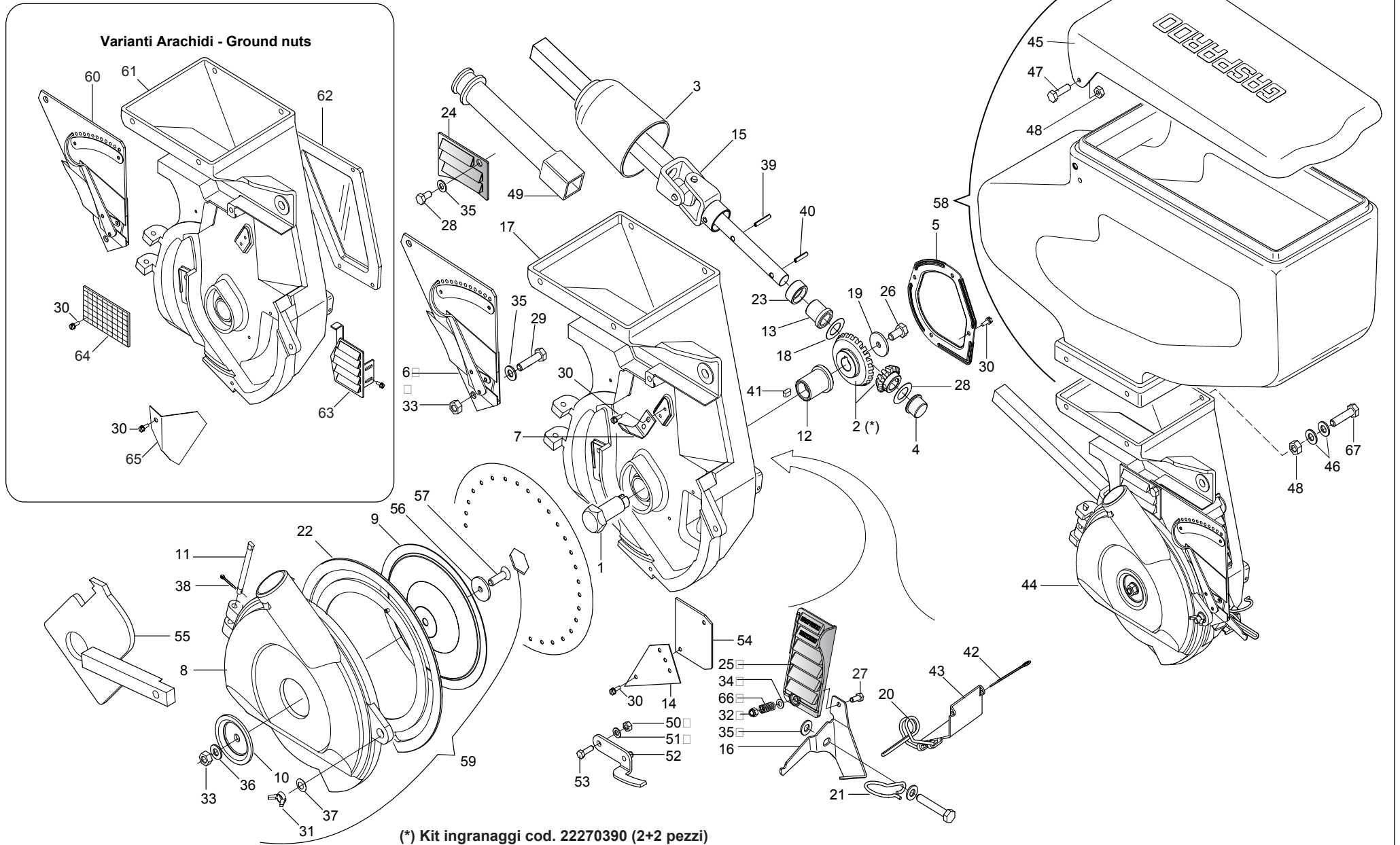


(\*) Kit ingranaggi cod. 22270389 (2+2 pezzi)

# SCATOLA DI RINVIO ELEMENTO

TAV. 52/151

Pos.	Cod.	Descrizione	Description	Description	Benennung	Descripcion
1	15220691	ASSE AVVISATORE MT	SIGNALLING AXIS MT	AXE AVERTISSEUR MT	ACHSE SIGNALHUPE MT	EJE INDICADOR MT
2	15220703	SCATOLA RINVIO MT COMPL.	COMPL. TRANSMISSION BOX MT	BO+TE DE RENVOI MT COMPL+TE	VORGELEGEGEH-USE MT KOMPL.	CAJA TRANSMISIÖN MT COMPL.
3	19002840	COPRICARDANO SUPERIORE	TOP CARDAN JOINT COVER	COUVRE-CARDAN SUPERIEUR	OBERE KARDANABDECKUNG	CUBRECARDÆN SUPERIOR
4	20970051	RONDELLA 40X0,6X32	WASHER 40X0-6X32	RONDELLE 40X0-6X32	UNTERLEGSSCHEIBE 40X0-6X32	ARANDELA 40X0-6X32
5	20970055	RONDELLA 25X0,6X16,5	WASHER 25X0-6X16-5	RONDELLE 25X0-6X16-5	UNTERLEGSSCHEIBE 25X0-6X16-5	ARANDELA 25X0-6X16-5
6	22220071	AVVISATORE ACUSTICO	HOOTER	SIGNALISATION ACOUSTIQUE	HUPE	INDICADOR ACSTICO A
7	22220073	RONDELLA 28X0,3X16,5	WASHER 28X0-3X16-5	RONDELLE 28X0-3X16-5	UNTERLEGSSCHEIBE 28X0-3X16-5	ARANDELA 28X0-3X16-5
8	22220102	CONCHIGLIA DX	RIGHT SHELL	COQUILLE DRT.	SCHALE RECHTS	MOLDE DER.
9	22220103	CONCHIGLIA SX	LEFT SHELL	COQUILLE GCH.	SCHALE LINKS	MOLDE IZQ.
10	22220105	BOCCOLA DI SPINTA	THRUST BUSHING	BOITE DE POUSSEE	SCHUBBSCHSE	CASQUILLO DE APIRIETE
11	22220155	ELEM.TENUTAMOLLE COMP.	SPRING SEAL ELEMENT ASSY.	ELEMENT D'ETANCHEITE RESSORTS	DICHTUNGSELEMENT FEDERN KOMP.	ELEM. RESISTENCIA MUELLES COMP
12	22270389	2+2 INGR.SCATOLA DI RINVIO >	2+2 INTERM. TRANSM. GEAR BOX	COUPLE CON RENV ANGLE (2+2)	2+2 ZAHNRZDER VORGELEGEGEHZUSE	2+2 ENGRANAJES CAJA DE LA TRAN
13	22270452	ALBERO SCATOLA RINVIO SP/S	INTERMEDIATE BOX SHAFT	ARBRE TRANSMISSION SP/S	WELLE VORGELEGEGEHZUSE SP/S	ÆRBOL CAJA DE TRANSMISIN SP/SA
14	22270453	SNODO AVVISATORE SP/S	SIGNALLER ARTICULATION SP/S	ARTICULATION SIGNALISATION SP/	HUPGELENK SP/S	ARTICULACIN AVISADOR SP/S A
15	22270454	CROCIERA COMPL. SP/S	SPIDER SP/S	CROSILLON COMPL CARDAN TRANSM	GELENKKREUZ KOMPL. SP/S	CRUCETA COMPL. SP/S
16	F01020041	VITE 6 X45 5737 8.G ZN	BOLT 6 X45 5737 8.G GALVANIZED	VIS 6 X45 5737 8.G ZN	SCHRAUBE 6 X45 5737 8.G ZN	TORNILLO 6 X45 5737 8.G ZN
17	F01020403	VITE 6 X16 5739 8.G ZN	BOLT 6X16 5739 8.G GALVANIZED	VIS 6X16 5739 8.G ZN	SCHRAUBE 6X16 5739 8.G ZN	TORNILLO 6X16 5739 8.G ZN
18	F01020440	VITE 8 X25 5739 8.G ZN	BOLT 8X25 5739 8.G GALVANIZED	VIS 8X25 5739 8.G ZN	SCHRAUBE 8X25 5739 8.G ZN	TORNILLO 8X25 5739 8.G ZN
19	F01220211	DADO TRISTOP M 6	NUT- TRISTOP M 6	ECROU TRISTOP M 6	MUTTER TRISTOP M 6	TUERCA TRISTOP M 6
20	F01220222	DADO TRISTOP M 8	NUT- TRISTOP M 8	ECROU TRISTOP M 8	MUTTER TRISTOP M 8	TUERCA TRISTOP M 8
21	F02100114	SPINA EL.6 X30 DIN 1481	PIN EL. 6 X30 DIN 1481	FICHE EL. 6 X30 DIN 1481	SPANNSTIFT 6 X30 DIN 1481	CLAVIJA EL.6 X30 DIN 1481
22	F02100121	SPINA EL.6 X40 DIN 1481	PIN EL. 6 X40 DIN 1481	FICHE EL. 6 X40 DIN 1481	SPANNSTIFT 6 X40 DIN 1481	CLAVIJA EL.6 X40 DIN 1481
23	F01100011	INGRASS.A SFERE M6X1/A	SPHERE NIPPLE M6X1/A	GRAISSEUR A BILLES M6X1/A	KUGELFETTBSCHSE M6X1/A	ENGRAS. DE ESFERAS M6X1/A
24	F02050606	ANELLO ARR.16 UNI 7435-75	STOP RING 16 UNI 7435-75	BAGUE ARRET 16 UNI 7435-75	RING 16 UNI 7435-75	ANILLO PARADA 16 UNI 7435-75
25	65338018	MOLLA COMP.ZN SCATOLA RINV.SP	TRANSM. BOX COMP. SPRING . SP	RESSORT COMPL. ZN TRANSMISSION	DRUCKFEDER ZN VORGELEGEGEHZUSE	MUELLE COMP.ZN CAJA TRANSFER..
26	65338039	MOLLA COMP.ZN INNESTO SP	ZN COUPLING COMP. SPRING SP	RESSORT COMPL. ZN ACCOUPLEM.	DRUCKFEDER ZN KUPPLUNG SP	MUELLE COMP.ZN ACOPLAMIENTO SP
27	66248057	SPINA DI SICUREZZA SP	SAFETY PIN SP	BROCHE PLASTIC SECURITE CARDAN	SICHERHEITSSTIFT SP	CLAVIJA DE SEGURIDAD SP
28	66248102	ANELLO SICUREZZA SP	SAFETY RING	BAGUE SECURITE SP	SICHERHEITSRING SP	ANILLO DE SEGURIDAD SP
29	66349001	BOCCOLA	BUSHING	BOITE	B_CHSE	CASQUILLO
30	15220681	INNESTO RINVIO MT	TRANSMISSION COUPLING MT	ACCOUPEMENT TRANSMISSION MT	KUPPLUNG VORGELEGE MT	CONEXIN TRANSFERENCIA MT C
31	16033200	MONT.SCATOLA RINVIO PE	TRANSFER CASE	BOITE RENVOI	VORGELEGEGEHZUSE	CAJA DE DISTRIBUCIN
32	15225740	ASSE AVVISATORE MT COMPL.	COMPLETE HORN SHAFT	AXE AVERTISSEUR MT COMPL.	ACHSE SIGNALHUPE MT KOMPL.	EJE AVISADOR MT COMPL.





# DISTRIBUTORE SEMI

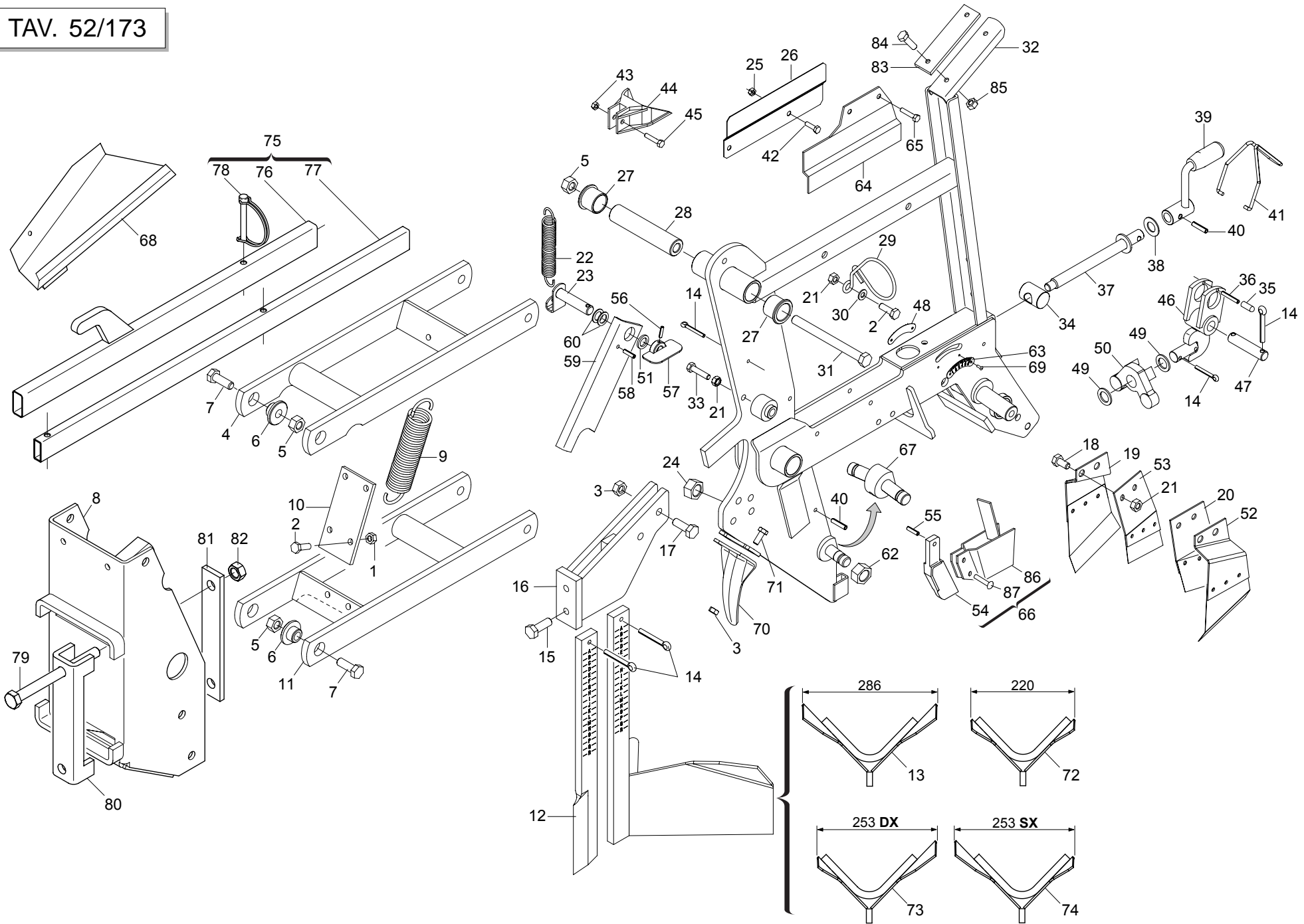
TAV. 52/162

Pos.	Cod.	Descrizione	Description	Description	Benennung	Descripcion
1	22230046	ASSE TRASMISSIONE DISCO	DISK GEAR AXLE	AXE ENTRAINEMENT DISQUE	ACHSE SCHEIBENANTRIEB	EJE TRANSMISIN DISCO A
2	22270390	KIT COPPIA CONICA DISTRIB.SEMI	KIT- SEED DISTR. CONICAL PAIR	COUPLE CON DISTR GRAINES (2+2)	KIT KEGELTRIEB SAMEN SZAPPARAT	SET PAR CONICO DISTRIB. SEMILL
3	66248094	COPRICARDANO SP	UNIVERSAL JOINT COVER SP	COUVRE-CARDAN SP	KARDANABDECKUNG SP	CUBRECARDAN SP
4	66349008	BOCCOLA	BUSHING	BOITE	BsCHSE	CASQUILLO
5	22230035	COPERCHIO SCATOLA INGRAN.	GEARWHEEL BOX COVER	COUVERCLE BOITE ENGRENAGE	DECKEL ZAHNRZDERGEHZUSE	TAPA CAJA ENGRAN.
6	22230040	SELETTORE MOBILE COMPLETO	MOBILE SELECTOR ASSY.	SELECTEUR MOBILE COMPL.	KOMPL. BEWEGLICHER WZHLER	SELECTOR MVIL COMPLETO S
7	22230041	SELETTORE FISSO	SELECTOR FIXED	SELECTEUR FIXE	FESTER WZHLER	SELECTOR FIJO
8	15223701	COPERCHIO CORPO MT	BODY COVER MT	COUVERCLE CORPS MT	DECKEL KTRPRER MT	TAPACUERPO MT
9	22230037	TENUTA GUARNIZIONE	SEAL	BLOQUAGE GARNITURE	DICHTUNG	JUNTA ESTANCA
10	16620470	TAPPO CENTRALE H=7,5	CENTRAL PLUG H=7.5	BOUCHON CENTRAL H=7,5	ZENTRALER PFROPFEN H=7,5	TAPÉN CENTRAL H=7,5
11	22230039	PERNO COPERCHIO	COVER PIN	PIVOT COUVERCLE	DECKELZAPFEN	PERNO TAPA
12	66349002	BOCCOLA SINT.BASSOFONDO	BUSHING- SINTERED	BOITE FRITTEE	SYNTH. B_CHSE	CASQUILLO SINT.
13	22270071	BOCCOLA COLL.SINTER.20X24	20X24 SINTERED COLLARED BUSH	BOITE COLLIER FRITTEE 20X24	ANSCHLUSSBUUECHSE SINTER.20X24	CASQUILLO CONEX. SINTER.20X24
14	22270204	PIASTRA ANTI TRABOCC.SEMI SP	SEED ANTI-OVERFLOW PLATE SP	PLAQUE ANTI-DEBORD.T GRAINES S	SAMENSBERLAUFPLATTE SP	PLACA ANTI DESBORDAMIENTO SEMI
15	15225130	ASSE PORTA PIGNONE MT COMPL.	COMPL. MT PINION-HOLDER SHAFT	AXE PORTE-PIGNON MT COMPLET	RITZELTRAGACHSE MT KOMPL.	EJE PORTA PIDÉN MT COMPL.
16	15421151	FERMO MOLLA FALCIONE	CUTTER SPRING STOP	ARRET RESSORT HACHOIR	FESTSTELLVOR. FEDER FUTTERSCHN	BLOQUEO MUELLE GUADA¾ADORA
17	15225120	CORPO DI DISTRIBUZIONE MT	MT DISTRIBUTION ASSEMBLY	CORPS DE DISTRIBUTION MT	STREUBEH-LTER MT	ELEMENTO DE DISTRIBUCIÓN MT
18	22220073	RONDELLA 28X0,3X16,5	WASHER 28X0-3X16-5	RONDELLE 28X0-3X16-5	UNTERLEGSSCHEIBE 28X0-3X16-5	ARANDELA 28X0-3X16-5
19	F01420037	RONDELLA 6,6X24X2 6593 ZN	WASHER 6.6X24X2 6593 ZN	RONDELLE 6.6X24X2 6593 ZN	UNTERLEGSSCHEIBE 6.6X24X2 6593	ARANDELA 6.6X24X2 6593 ZN
20	18902951	MOLLA SPEC.ZN SCARICO	SPEC SPRING ZN DISCHARGE	RESSORT TRAPPE VIDANGE	SPEZIALFEDER ZN ENTLADUNG	MUELLE ESPEC. ZN DESCARGA
21	18903180	MOLLA CONVOGLIATORE MICRO	MICRO CONVEYOR SPRING	RESSORT CONVOYEUR MICRO	FEDER MIKRO FTRDERER	MUELLE CONDUCTOR MICRO
22	19002620	GUARNIZIONE COP.DISTRIB.SP530	DISTR. COVER GASKET.SP530	JOINT ETANCH PORTE SP530-MT	DICHTUNG SZAPPARATDECKEL SP530	JUNTA TAPA DISTRIB.SP530
23	66248219	ANELLO PARAPOLVERE SP-520	DUST COVER RING	BAGUE PARE-POUSSIERE SP-520	STAUBSCHUTZRING SP-520	ANILLO GUARDAPOLV SP-520
24	16620540	PORTA DI PROTEZIONE	SAFETY HATCH	PORTE DE PROTECTION	SCHUTZFFUNG	PUERTA DE PROTECCIÓN
25	16620530	PORTA DI CONTROLLO	INSPECTION DOOR	PORTE CONTROLE	KONTROLLTSr	PUERTA DE CONTROL
26	F01020403	VITE 6 X16 5739 8.G ZN	BOLT 6X16 5739 8.G GALVANIZED	VIS 6X16 5739 8.G ZN	SCHRAUBE 6X16 5739 8.G ZN	TORNILLO 6X16 5739 8.G ZN
27	F01020382	VITE 5X25 5739 8.G ZN	BOLT 5 X25 5739 8.G GALVANIZ.	VIS 5 X25 5739 8.G ZN	SCHRAUBE 5 X25 5739 8.G ZN	TORNILLO 5 X25 5739 8.G ZN
28	F01020432	VITE 8 X16 5739 8.G ZN	BOLT 8X16 5739 8.G GALVANIZED	VIS 8X16 5739 8.G ZN	SCHRAUBE 8X16 5739 8.G ZN	TORNILLO 8X16 5739 8.G ZN
29	F01020451	VITE 8 X45 5739 8.G ZN	BOLT 8 X45 5739 8.G GALVANIZ.	VIS 8 X45 5739 8.G ZN	SCHRAUBE 8 X45 5739 8.G ZN	TORNILLO 8X45 5739 8.G ZN
30	F01070011	VITE AUTOF.4,2X9,5T.E.TAG.F.RO	BOLT-SELF-TAPPING 4-2X9-5T.E.	VIS AUTOTAR. 4-2X9-5 T. E. COU	SELBSTSCHNEID. SCHRAUBE 4-2X9-	TORNILLO AUTORROSC. 4-2X9-5
31	F01240024	DADO 8 5448 5.8 ZN	NUT 8 UNI 5448 5.8 ZN	ECROU 8 UNI 5448 5.8 ZN	MUTTER 8 UNI 5448 5.8 ZN	TUERCA 8 UNI 5448 5.8 ZN
32	F01230019	DADO AUTOB.NOR.5 ZN	NORM.SELF-LOCKING NUT 5 GALVAN	ECROU AUTOB.NOR.5 ZN	SELBSTSP. MUTTER NOR.5 ZN	TUERCA AUTOB. NOR. 5 ZN
33	F01200244	DADO 8 5588 6.8 ZN	NUT 8 UNI 5588 6.8 GALVANIZED	ECROU 8 UNI 5588 6.8 ZN	MUTTER 8 UNI 5588 6.8 ZN	TUERCA 8 UNI 5588 6.8 ZN
34	F01410023	RONDELLA D5 UNI 6592 ZN	WASHER D5 UNI 6592 ZN	RONDELLE D5 UNI 6592 ZN	UNTERLEGSSCHEIBE D5 UNI 6592 ZN	ARANDELA D5 UNI 6592 ZN
35	F01410051	RONDELLA D8 UNI 6592 ZN	WASHER D8 UNI 6592 GALVANIZED	RONDELLE D8 UNI 6592 ZN	UNTERLEGSSCHEIBE D8 UNI 6592 ZN	ARANDELA D8 UNI 6592 ZN
36	F01430059	RONDELLA D8 DIN 6798 D.INT.ZN	WASHER D8 DIN 6798 D.INT.ZN	RONDELLE D8 DIN 6798 D. INT. Z	UNT. SCHEIBE D8 DIN 6798 D. IN	ARANDELA D8 DIN 6798 D.INT.ZN
37	F01460115	RONDELLA D8 DIN 137/A	WASHER D8 DIN 137/A	RONDELLE D8 DIN 137/A	UNTERLEGSSCHEIBE D8 DIN 137/A	ARANDELA D8 DIN 137/A
38	F02200137	COPIGLIA 2 X15 1336 ZN	SPLIT PIN 2 X15 1336 GALVAN.	GOUPILLE 2 X15 1336 ZN	SPLINT 2 X15 1336 ZN	PASADOR 2 X15 1336 ZN
39	F02100079	SPINA EL.5 X20 DIN 1481	PIN EL. 5 X20 DIN 1481	FICHE EL. 5 X20 DIN 1481	SPANNSTIFT 5X20 DIN 1481	CLAVIJA EL.5 X20 DIN 1481
40	F02100083	SPINA EL.5 X24 DIN 1481	PIN EL. 5 X24 DIN 1481	FICHE EL. 5 X24 DIN 1481	SPANNSTIFT 5 X24 DIN 1481	CLAVIJA EL.5 X24 DIN 1481
41	F02150012	LINGUETTA 05X5X10 UNI6604	TAB 05X5X10 UNI6604	LANGUETTE 05X5X10 UNI6604	FEDERKEIL 05X5X10 UNI6604	LENGSETA 05X5X10 UNI6604
42	F02200200	COPIGLIA 4 X70 1336 ZN	SPLIT PIN 4 X70 1336 GALVAN.	GOUPILLE 4 X70 1336 ZN	SPLINT 4 X70 1336 ZN	PASADOR 4 X70 1336 ZN
43	15421870	PORTA DI SCARICO DISTRIBUTORE	DISTRIBUTOR DISCHARGE DOOR	PORTE DE DECHARGEMENT DISTRIB.	ENTLADUNGSTSR SZAPPARAT	PUERTA DESCARGA DISTRIBUIDOR
44	15225140	CORPO DISTRIBUTORE MT COMPL.	DISTRIBUTOR CASING	CORPS DISTRIBUTEUR	SZAPPARATKTRPRER	CUERPO DISTRIBUCIN C
45	19002750	COPERCHIO SERBATOIO SEME 530	SEED TANK COVER 530	COUVERCLE RES GRAINES 530-MT	SAMENBEHZLTERDECKEL 530	TAPA DEPOSITO SEMILLA 530 A
46	F01420036	ROND.PIANA 6,6X 18X2 6593 ZN	FLAT WASHER 6-6X 18X2 6593 ZN	ROND. PLATE 6-6X 18X2 6593 ZN	SCHEIBE 6-6X 18X2 6593 ZN	ARAND. PLANA 6-6X 18X2 6593 ZN
47	F01020403	VITE 6 X16 5739 8.G ZN	BOLT 6X16 5739 8.G GALVANIZED	VIS 6X16 5739 8.G ZN	SCHRAUBE 6X16 5739 8.G ZN	TORNILLO 6X16 5739 8.G ZN
48	F01220211	DADO TRISTOP M 6	NUT- TRISTOP M 6	ECROU TRISTOP M 6	MUTTER TRISTOP M 6	TUERCA TRISTOP M 6
49	15220681	INNESTO RINVIO MT	TRANSMISSION COUPLING MT	ACCOUPLLEMENT TRANSMISSION MT	MUTTER 5 UNI 5588 6.8 ZN	CONEXIN TRANSFERENCIA MT C
50	F01200220	DADO 5 5588 6.8 ZN	NUT 5 UNI 5588 6.8 GALVANIZED	ECROU 5 UNI 5588 6.8 ZN	MUTTER 5 UNI 5588 6.8 ZN	TUERCA 5 UNI 5588 6.8 ZN
51	F01430035	RONDELLA D5 DIN 6798 D.INT.ZN	WASHER D5 DIN 6798 D.INT.ZN	RONDELLE D5 DIN 6798 D. INT. Z	UNT. SCHEIBE D5 DIN 6798 D. IN	ARANDELA D5 DIN 6798 D.INT.ZN
52	16620010	ESPULSORE SEMI BIETOLA	SUGAR BEET EJECTOR	EXPULSEUR BETTES	AUSWERFER RUBEN	EXPULSOR REMOLACHA
53	F01020381	VITE 5X20 5739 INOX A2	BOLT 5X20 5739	VIS 5X20 5739	SCHRAUBE 5X20 5739	TORNILLO 5X20 5739
54	22270133	PIASTRINA ANTI TRABOC.SEMI MIN	MINUTE SEED PLATE SP	PLAQUETTE GRAINES PETITES SP	PLZTTCHEN KLEINE SAMEN SP	PLAQUETA SEMILLAS PEQUE¾AS SP
55	16620360	DIMA SELETTORE FISSO	POSITION PLATE FOR FIXED SELEC	GABARIT POSITION SELECTEUR FIX	EINSTELLEHRE F_R FIXEN ABSTREI	PLACA PARA LA POSICIEN SELECTO
56	18701890	RONDELLA D.8,5 VASATA ZN.	FLATED WASHER D.8.5 ZN.	RONDELLE D.8,5 +VAS+E ZN.	F-CHERSCHLEIBE D.8,5 ZN.	ARANDELA I 8,5 ABOCINADA ZN.
57	F01030055	VITE 8X20 5933 8.G ZN.	SCREW 8X20 5933 8.G ZN.	VIS 8X20 5933 8.G ZN.	SCHRAUBE 8X20 5933 8.G ZN.	TORNILLO 8X20 5933 8.G ZN.
58	15224471	SERBATOIO SEME COMPLETO MT	SEED TANK ASSY. MT	RESERVOIR GRAINES COMPL PLA MT	SAMENBEHZLTER KOMPLETT MT	DEPSITO SEMILLAS COMPLETO MT B
59	15201081	COPERCHIO CORPO MT COMPL.	BODY COVER MT	COUVERCLE CORPS MT	DECKEL KTRPRER MT	TAPACUERPO MT
60	22270128	SELETTORE MOBILE ARACHIDI SP	MOBILE SELECTOR- PEANUTS SP	SELECTEUR MOBILE ARACHIDES SP	BEWEGLICHER WZHLER ERDNsSSE SP	SELECTOR MVIL CACAHUETES. S
61	15422520	CORPO DISTRIBUTORE ARACHIDI SP	MOBILE DISTRIBUTION CASING	CORPS DE DISTRIBUTION ARACHIDE	VERTEILUNGSKTRPRER ERDNsSSE	CUERPO DE DISTRIBUC.CACAHUETES
62	22270132	FINESTRELLA CONTR.ARACHIDI SP	PEANUT CONTRA. WINDOW SP	FENETRE CONTR. ARACHIDES SP	LUKE ERDNUSSKONTROLLE SP	VENTANILLA CONTR. CACAHUETES.
63	22230033	PORTA CONTROLLO SEME	SEED INSPECTION DOOR	PORTE CONTROLE GRAINES	KONTROLLTSr SAMEN	PUERTA DE CONTROL SEMILLAS
64	22270095	GRIGLIA PROTEZIONE SP	PROTECT. GRID SP	GRILLE PROTECTION SP	SCHUTZGITTER SP	REJILLA PROTECCIN SP G
65	22270130	PIASTRINA ANTI TRABOC.ARACHIDI	PEANUT CLOSING PLATE	PLAQUETTE FERMETURE ARACH. SP	ABSCHLUSSPLZTTCHEN ERDNsSSE SP	PLAQUETA CIERRE CACAHUETES SP
66	18904240	MOLLA APERTURA PORTA CONTROLLO	SPRING	RESSORT	FEDER	MUELLE
67	F01020404	VITE 6 X20 5739 8.G ZN	BOLT 6X20 5739 8.G GALVANIZED	VIS 6X20 5739 8.G ZN	SCHRAUBE 6X20 5739 8.G ZN	TORNILLO 6X20 5739 8.G ZN

Codice Code Code Kodex Codigo	Nr e f fori Nr and f holes Nr et f trous Nr und f löcher Nr y f agujeros	Coltura	Seeds	Cultures	Samen	Semillas	Distanza semina Seeding dist. Dist. de semis Saatabstandes Dist. siembra	Codice Code Code Kodex Codigo	Nr e f fori Nr and f holes Nr et f trous Nr und f löcher Nr y f agujeros	Coltura	Seeds	Cultures	Samen	Semillas	Distanza semina Seeding dist. Dist. de semis Saatabstandes Dist. siembra		
22230298	20	0,8 (1)					↓	22230290	36	2,5	Pomodoro conf. 3,5-4,5 mm	Tomato pilled 3,5-4,5 mm	Tomate enrobé. 3,5-4,5 mm	Tomate pilliert 3,5-4,5 mm	Tomate conf. 3,5-4,5 mm	max. 23,2 cm.	
22230319	20	1 (1)	Cavolo broccolo	Broccoli	Chou-Broccoli	Brokkoli		Broccoli			Ginseng	Ginseng	Ginseng	Ginseng	Ginseng		
22230327	20	1,1 (1)	Cavolo verza	Cabbage,Savoy	Chou de Milan	Wirsing		Col de Mil/En									
22230320	20	1,5					min.10,4 cm.  max. 41,7 cm.	22230197	36	3,5	Fagiolino	Beans (Little)	Haricot (Petit)	Grüne Bohnen	Judias verdes	↑	
22230294	20	2,1	Zucchini	Squash	Courgette	Kürbis		Calabacón			Soia	Soybeans	Soja	Soja			
			Melone	Melon	Melon	Melone		Melón									
			Anguria	Watermelon	Pastèque	Wassermelone		Sandía									
			Cardo	-	-	-		-									
22230203	20	2,5	Girasole	Sunflower	Tournesol	Sonnenblumen		Girasol									
22230192	20	3,5	Cotone	Cotton	-	Baumwoll		-									
			Mais (Piccolo)	Corn (Little)	Mais (Petit)	Mais (Klein)		Maiz (Pequeño)									
22230048	20	4,5	Mais	Corn	Mais	Mais		Maiz									
22230047	20	5,5	Mais (Grosso)	Corn (Big)	Mais (Gros)	Mais (Grosse)		Maiz (Grueso)									
			Ceci	Pulses	-	-	-										
			Fagiolo borlotto e cannellino	Beans	Haricot	Bohnen	Poroto										
			Arachidi	Peanut	-	-	-										
22230205	20	7	Arachidi	Peanut	-	-	-										
			Lupino	-	-	-	-										
10124030R	26	1 (1)					↓	22230195	72	0,8 (1)	Endivia	Endive	Chicorée	Winterendivien	Escarola	↓	
22230253	26	1,5									Lattuga	Lettuce	Laitue	Kopfsalat	Lechuga		
22230296	26	2,1	Zucchini	Squash	Courgette	Kürbis		Calabacón			Rapa	Turnip	Navet	Speiserbaben	Nabo		
			Melone	Melon	Melon	Melone		Melón			Senape	Mustard	Moutarde	Senf	-		
			Anguria	Watermelon	Pastèque	Wassermelone		Sandía			Finocchio	Fennel	Fenouil	Fenchel	Hinojo		
			Cardo	-	-	-		-			Anice	-	-	-	-		
22230289	26	2,5	Girasole	Sunflower	Tournesol	Sonnenblumen		Girasol									
22230249	26	3,5	Cotone	Cotton	-	Baumwoll		-									
			Mais (Piccolo)	Corn (Little)	Mais (Petit)	Mais (Klein)		Maiz (Pequeño)									
22230050	26	4,5	Mais	Corn	Mais	Mais		Maiz									
22230303	26	5					max. 32,1 cm.	22230193	72	1,1 (1)	Pomodoro	Tomato	Tomate	Tomate	Tomate	min. 2,9 cm.	
22230049	26	5,5	Mais (Grosso)	Corn (Big)	Mais (Gros)	Mais (Grosse)		Maiz (Grueso)			Rapa	Turnip	Navet	Speiserbaben	Nabo		
			Ceci	-	-	-		-			Finocchio	Fennel	Fenouil	Fenchel	Hinojo		
			Fagiolo borlotto e cannellino	Beans	Haricot	Bohnen		Poroto			Colza	Canola	Coza	Raps	Coza		
			Arachidi	-	-	-		-			Panico	-	-	-	-		
22230317	36	1,1 (1)	Pomodoro	Tomato	Tomate	Tomate		Tomate									
22230196	36	1,5	Lenticchia	-	-	-		-			Spinacio	Spinach	Epinard	Spinat	Espinaca		
			Cetriolo	Cucumber	Concombre	Gurke		Pepino			Ravanello	Radish	Radis	Radles	Rabanito		
			Pomodoro conf. 2,5-3,5 mm	Tomato pilled 2,5-3,5 mm	Tomate enrobé. 2,5-3,5 mm	Tomate pilliert 2,5-3,5 mm		Tomate conf. 2,5-3,5 mm			Asparagio	Asparagus	Asperge	Spargel	Esp/Errago		
											Pomodoro conf. 2,5-3,5 mm	Tomato pilled 2,5-3,5 mm	Tomate enrobé. 2,5-3,5 mm	Tomate pilliert 2,5-3,5 mm	Tomate conf. 2,5-3,5 mm		
22230051	36	2,1	Barbabetola	Beets	Betteraves	Raben	Remolacha			22230213	72	2,1	Bieta a coste	Swiss Chard	Poirée	Mangold	Acelga
			Zucchini	Squash	Courgette	Kürbis	Calabacón			10124040R	72	2,5					
			Melone	Melon	Melon	Melone	Melón			22230198	72	3,5	Fagiolino	Beans (Little)	Haricot (Petit)	Grüne Bohnen	Judias verdes
			Anguria	Watermelon	Pastèque	Wassermelone	Sandía						Soia	Soybeans	Soja	Soja	
			Cardo	-	-	-	-			10124020R	72	4,25	Soia	Soybeans	Soja	Soja	Soja
			Sorgo	Sorghum	Sorgo	Hirse	Sorgo			22230256	72	4,5					
			Sesamo	-	-	-	-										
							min. 5,8 cm.										

## DISCHI DI SEMINA

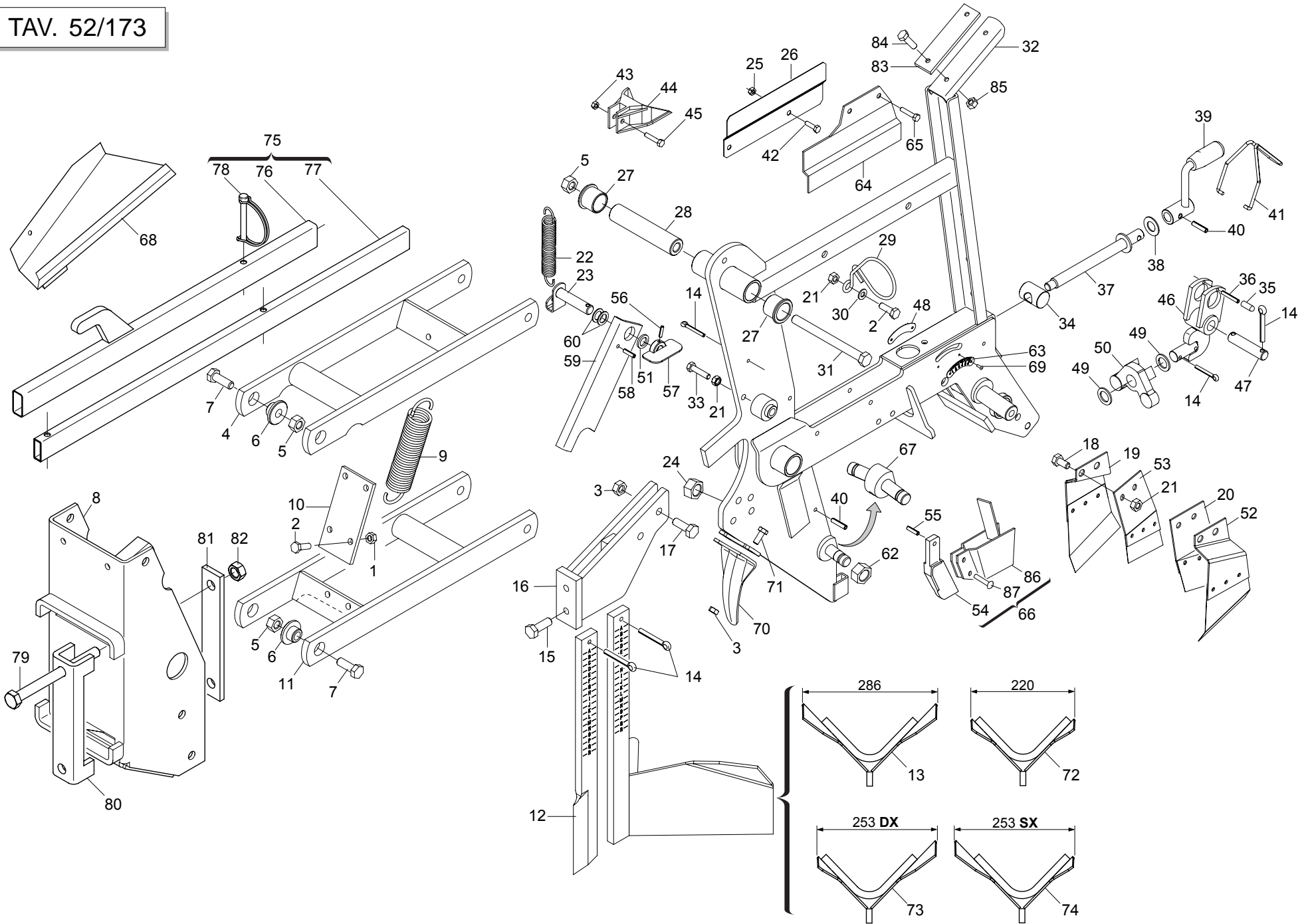
Pos.	Cod.	Descrizione	Description	Description	Benennung	Descripcion
1	10121460	DISCO 96 FORI D 1,0 SP	DISK 96 HOLES D.1,0 SP	DISQUE 96 TROUS D. 1,0 SP	SCHEIBE 96 LTCHER D.1,0 SP	DISCO 96 ORIFICIOS D. 1,0 SP
2	10123970	DISCO 102 F.D.2 SP	DISK 102 HOLES D. 2 SP	DISQUE 102 TROUS D. 2 SP	SCHEIBE 102 LTCHER D.2 SP	DISCO 102 ORIFICIOS D. 2 SP
3	10124010	DISCO 60 FORI D.4,5 SP LM	DISK 60 HOLES D.4-5 SP LM	DISQUE 60 TROUS D. 4-5 SP LM	SCHEIBE 60 LTCHER D.4-5 SP LM	DISCO 60 ORIFICIOS D.4-5 SP LM
4	10124020	DISCO 72 FORI D.4,25 SP LM	DISK 72 HOLES D.4-25 SP LM	DISQUE 72 TROUS D. 4-25 SP LM	SCHEIBE 72 LTCHER D.4-25 SP LM	DISCO 72 ORIFICIOS D.4-5 SP LM
5	10124030	DISCO ACC. 26 FORI D 1,0 SP	STEEL DISK 26 HOLES D 1.0 SP	DISQUE ACC. 26 TROUS D 1-0 SP	SCHEIBE ZUB. 26 LTCHER D 1-0 S	DISCO AC. 26 ORIFICIOS D 1-0 S
6	10124040	DISCO ACC. 72 FORI D 2,5 SP	DISK ST. 72 H. D 2,5	DISQUE ACIER 72 TROUS D 2,5	STAHLSCHEIBE 72 L. D 2,5	DISCO ACERO 72 ORIF. D 2,5
7	10124050	DISCO ACC.104 FORI D 1,1 SP	STEEL DISC 104 HOLES D 1.1 SP	DISQUE ACIER 104 TROUS D 1,1	STAHLSCHEIBE 104 BOHR. D 1,1	DISCO ACC.104 AGUJEROS D 1,1
8	10124060	DISCO 26 F. D.4	DISC 26 F. D.4	DISQUE 26 TROUS D.4	SCHEIBE 26 B. D.4	DISCO 26 AGUJEROS 1 4
9	10124070	DISCO 36 FORI D 1,7 SP LM	DISK 36 HOLES D.1,7 SP LM	DISQUE 36 TROUS D.1,7 SP LM	SCHEIBE 36 LTCHER D.1,7 SP LM	DISCO 36 ORIFICIOS D.1,7 SP LM
10	10124090	DISCO 6 FORI D.4,5	DISK 6 HOLES D.4,5	DISQUE 6 TROUS D. 4,5	SCHEIBE 6 LTCHER D.4,5	DISCO 6 ORIFICIOS D.4,5
11	10124100	DISCO 6 FORI D.3,0	DISK 6 HOLES D.3,0	DISQUE 6 TROUS D. 3,0	SCHEIBE 6 LTCHER D.3,0	DISCO 6 ORIFICIOS D.3,0
12	22230047	DISCO 20 F. D.5,5 SP LM	DISK 20 H. D.5-5 CORN SP LM	DISQUE 20 TROUS D. 5-5 MAIS SP	SCHEIBE 20 L. D.5-5 MAIS SP LM	DISCO 20 ORIF. D.5-5 MAZ SP LD
13	22230048	DISCO 20 F. D.4,5 SP LM	DISK 20 H. D.4-5 SUNF..SP LM	DISQUE 20 TROUS D. 4-5 TOURN.	SCHEIBE 20 L. D.4-5 SONNENBLU.	DISCO 20 ORIF. D.4-5 GIRA.SP L
14	22230049	DISCO 26 F. D.5,5 SP LM	DISK 26 H. D.5-5 CORN SP LM	DISQUE 26 TROUS D. 5-5 MAIS SP	SCHEIBE 26 L. D.5-5 MAIS SP LM	DISCO 26 ORIF. D.5-5 MAZ SP LD
15	22230050	DISCO 26 F. D.4,5 SP LM	DISK 26 H. D.4-5 CORN SP LM	DISQUE 26 TROUS D. 4-5 MAIS	SCHEIBE 26 L. D.4-5 MAIS	DISCO 26 ORIF. D.4-5 MAIZ SP L
16	22230051	DISCO 36 F. D.2,1 SP LM	DISK 36 H. D.2-1 BEET.SP LM	DISQUE 36 TROUS D. 2-1 BETTES	SCHEIBE 36 L.R. D.2-1 RsBEN SP	DISCO 36 ORIF. D.2-1 REMOLACHA
17	22230192	DISCO 20 FORI D.3,5 SP LM	DISK 20 HOLES D.3-5 SP LM	DISQUE 20 TROUS D. 3-5 SP LM	SCHEIBE 20 LTCHER D.3-5 SP LM	DISCO 20 ORIFICIOS D.3-5 SP LM
18	22230193	DISCO 72 FORI D.1,1 SP LM	DISK 72 HOLES D.1-1 SP LM	DISQUE 72 TROUS D. 1-1 SP LM	SCHEIBE 72 LTCHER D.1-1 SP LM	DISCO 72 ORIFICIOS D.1-1 SP LM
19	22230194	DISCO 72 FORI D.0,5 SP LM	DISK 72 HOLES D.0-5 SP LM	DISQUE 72 TROUS D. 0-5 SP LM	SCHEIBE 72 LTCHER D.0-5 SP LM	DISCO 72 ORIFICIOS D.0-5 SP LM
20	22230195	DISCO 72 FORI D.0,8 SP LM	DISK 72 HOLES D.0-8 SP LM	DISQUE 72 TROUS D. 0-8 SP LM	SCHEIBE 72 LTCHER D.0-8 SP LM	DISCO 72 ORIFICIOS D.0-8 SP LM
21	22230196	DISCO 36 FORI D.1,5 SP LM	DISK 36 HOLES D.1-5 SP LM	DISQUE 36 TROUS D. 1-5 SP LM	SCHEIBE 36 LTCHER D.1-5 SP LM	DISCO 36 ORIFICIOS D.1-5 SP LM
22	22230197	DISCO 36 FORI D.3,5 SP LM	DISK 36 HOLES D.3-5 SP LM	DISQUE 36 TROUS D. 3-5 SP LM	SCHEIBE 36 LTCHER D.3-5 SP LM	DISCO 36 ORIFICIOS D.3-5 SP LM
23	22230198	DISCO 72 FORI D.3,5 SP LM	DISK 72 HOLES D.3-5 SP LM	DISQUE 72 TROUS D. 3-5 SP LM	SCHEIBE 72 LTCHER D.3-5 SP LM	DISCO 72 ORIFICIOS D.3-5 SP LM
24	22230199	DISCO 36 FORI D.4,5 SP LM	DISK 36 HOLES D.4-5 SP LM	DISQUE 36 TROUS D. 4-5 SP LM	SCHEIBE 36 LTCHER D.4-5 SP LM	DISCO 36 ORIFICIOS D.4-5 SP LM
25	22230203	DISCO 20 FORI D.2,5 SP LM	DISK 20 HOLES D.2-5 SP LM	DISQUE 20 TROUS D. 2-5 SP LM	SCHEIBE 20 LÖCHER D.2-5 SP LM	DISCO 20 ORIF. D.2-5 SP LM
26	22230205	DISCO 20 F. D.7,0 ARAC.SP LM	DISK 20 H. D.7-0 PEAN..SP LM	DISQUE 20 TROUS D. 7-0 ARACHID	SCHEIBE 20 L. D.7-0 ERDNUSS SP	DISCO 20 ORIF. D.7-0 CACAH. SP
27	22230213	DISCO 72 FORI D.2,1 SP LM	DISK 72 HOLES D.2-1 SP LM	DISQUE 72 TROUS D. 2-1 SP LM	SCHEIBE 72 LTCHER D.2-1 SP LM	DISCO 72 ORIFICIOS D.2-1 SP LM
28	22230216	DISCO 144 FORI D.1,1 SP LM	DISK 144 HOLES D.1-1 SP LM	DISQUE 144 TROUS D. 1-1 SP LM	SCHEIBE 144 LTCHER D.1-1 SP LM	DISCO 144 ORIFICIOS D.1-1 SP L
29	22230217	DISCO 36 FORI D.5,5 SP LM	DISK 36 HOLES D.5-5 SP LM	DISQUE 36 TROUS D. 5-5 SP LM	SCHEIBE 36 LTCHER D.5-5 SP LM	DISCO 36 ORIFICIOS D.5-5 SP LM
30	22230249	DISCO 26 FORI D 3,5 SP LM	DISK 26 HOLES D 3-5 SP LM	DISQUE 26 TROUS D 3-5 SP LM	SCHEIBE 26 LTCHER D 3-5 SP LM	DISCO 26 ORIFICIOS D 3-5 SP LM
31	22230250	DISCO 144 FORI D.2,1 SP LM	DISK 144 HOLES D.2-1 SP LM	DISQUE 144 TROUS D. 2-1 SP LM	SCHEIBE 144 LTCHER D.2-1 SP LM	DISCO 144 ORIFICIOS D.2-1 SP L
32	22230253	DISCO 26 FORI D.1,5 SP LM	DISK 26 HOLES D.1-5 SP LM	DISQUE 26 TROUS D. 1-5 SP LM	SCHEIBE 26 LTCHER D.1-5 SP LM	DISCO 26 ORIFICIOS D.1-5 SP LM
33	22230256	DISCO 72 FORI D.4,5 SP LM	DISK 72 HOLES D.4-5 SP LM	DISQUE 72 TROUS D. 4-5 SP LM	SCHEIBE 72 LTCHER D.4-5 SP LM	DISCO 72 ORIFICIOS D.4-5 SP LM
34	22230257	DISCO 72 FORI D.1,5 SP LM	DISK 72 HOLES D.1-5 SP LM	DISQUE 72 TROUS D. 1-5 SP LM	SCHEIBE 72 LTCHER D.1-5 SP LM	DISCO 72 ORIFICIOS D.1-5 SP LM
35	22230287	DISCO 144 FORI D.1,5 SP LM	DISK 144 HOLES D.1-5 SP LM	DISQUE 144 TROUS D. 1-5 SP LM	SCHEIBE 144 LTCHER D.1-5 SP LM	DISCO 144 ORIFICIOS D.1-5 SP L
36	22230288	DISCO 52 FORI D.4,25 SP LM	DISK 52 HOLES D.4-25 SP LM	DISQUE 52 TROUS D. 4-25 SP LM	SCHEIBE 52 LTCHER D.4-25 SP LM	DISCO 52 ORIFICIOS D.4-25 SP LM
37	22230289	DISCO 26 FORI D.2,5 SP LM	DISK 26 HOLES D.2-5 SP LM	DISQUE 26 TROUS D. 2-5 SP LM	SCHEIBE 26 LTCHER D.2-5 SP LM	DISCO 26 ORIFICIOS D.2-5 SP LM
38	22230290	DISCO 36 FORI D.2,5 SP LM	DISK 36 HOLES D.2-5 SP LM	DISQUE 36 TROUS D. 2-5 SP LM	SCHEIBE 36 LTCHER D.2-5 SP LM	DISCO 36 ORIFICIOS D.2-5 SP LM
39	22230294	DISCO 20 FORI D.2,1 SP LM	DISK 20 HOLES D.2-1 SP LM	DISQUE 20 TROUS D. 2-1 SP LM	SCHEIBE 20 LTCHER D.2-1 SP LM	DISCO 20 ORIFICIOS D.2-1 SP LM
40	22230296	DISCO 26 FORI D.2,1 SP LM	DISK 26 HOLES D.2-1 SP LM	DISQUE 26 TROUS D. 2-1 SP LM	SCHEIBE 26 LÖCHER D.2-1 SP LM	DISCO 26 ORIFICIOS D.2-1 SP LM
41	22230297	DISCO 144 FORI D.0,8 SP LM	DISK 144 HOLES D.0-8 SP LM	DISQUE 144 TROUS D. 0-8 SP LM	SCHEIBE 144 LTCHER D.0-8 SP LM	DISCO 144 ORIFICIOS D.0-8 SP L
42	22230298	DISCO 20 FORI D.0,8 SP LM	DISK 20 HOLES D.0-8 SP LM	DISQUE 20 TROUS D. 0-8 SP LM	SCHEIBE 20 LTCHER D.0-8 SP LM	DISCO 20 ORIFICIOS D.0-8 SP LM
43	22230299	DISCO 52 FORI D.2,5 SP LM	DISK 52 HOLES D.2-5 SP LM	DISQUE 52 TROUS D. 2-5 SP LM	SCHEIBE 52 LTCHER D.2-5 SP LM	DISCO 52 ORIFICIOS D.2-5 SP LM
44	22230300	DISCO POST.10G-3F-D2,1 SP LM	DISK POST.10G-3F-D2-1 SP LM	DISQUE ARRIERE 10G. 3 TROUS D2	HINTERSCHEIBE 10G-3L-D2-1 SP L	DISCO TRAS.10G. 3 ORIF. D2-1 S
45	22230301	DISCO 144 FORI D.0,5 SP LM	DISK 144 HOLES D.0-5 SP LM	DISQUE 144 TROUS D. 0-5 SP LM	SCHEIBE 144 LTCHER D.0-5 SP LM	DISCO 144 ORIFICIOS D.0-5 SP L
46	22230303	DISCO 26 FORI D.5,0 SP LM	DISK 26 HOLES D.5-0 SP LM	DISQUE 26 TROUS D. 5-0 SP LM	SCHEIBE 26 LTCHER D.5-0 SP LM	DISCO 26 ORIFICIOS D.5-0 SP LM
47	22230304	DISCO 36 FORI D.7 LM	DISK 36 HOLES D.7 LM	DISQUE 36 TROUS D. 7 LM	SCHEIBE 36 LTCHER D.7 LM	DISCO 36 ORIFICIOS D.7 LM
48	22230306	DISCO 12 FORI D.2,1 SP LM	DISK 12 HOLES D.2-1 SP LM	DISQUE 12 TROUS D. 2-1 SP LM	SCHEIBE 12 LTCHER D.2-1 SP LM	DISCO 12 ORIFICIOS D.2-1 SP LM
49	22230316	DISCO 52 FORI D.3,5 SP LM	DISK 52 HOLES D.3-5 SP LM	DISQUE 52 TROUS D. 3-5 SP LM	SCHEIBE 52 LTCHER D.3-5 SP LM	DISCO 52 ORIFICIOS D.3-5 SP LM
50	22230317	DISCO 36 FORI D.1,1 SP LM	DISK 36 HOLES D.1-1 SP LM	DISQUE 36 TROUS D. 1-1 SP LM	SCHEIBE 36 LTCHER D.1-1 SP LM	DISCO 36 ORIFICIOS D.1-1 SP LM
51	22230318	DISCO 10 FORI D.1,5 SP LM	DISK 10 HOLES D.1-5 SP LM	DISQUE 10 TROUS D. 1-5 SP LM	SCHEIBE 10 LTCHER D.1-5 SP LM	DISCO 10 ORIFICIOS D.1-5 SP LM
52	22230319	DISCO 20 FORI D.1,0 SP LM	DISK 20 HOLES D.1-0 SP LM	DISQUE 20 TROUS D. 1-0 SP LM	SCHEIBE 20 LTCHER D.1-0 SP LM	DISCO 20 ORIFICIOS D.1-0 SP LM
53	22230320	DISCO 20 FORI D.1,5 SP LM	DISK 20 HOLES D.1-5 SP LM	DISQUE 20 TROUS D. 1-5 SP LM	SCHEIBE 20 LTCHER D.1-5 SP LM	DISCO 20 ORIFICIOS D.1-5 SP LM
54	22230321	DISCO 52 FORI D.1,5 SP LM	DISK 52 HOLES D.1-5 SP LM	DISQUE 52 TROUS D. 1-5 SP LM	SCHEIBE 52 LTCHER D.1-5 SP LM	DISCO 52 ORIFICIOS D.1-5 SP LM
55	22230322	DISCO 80 FORI D.1,5 SP LM	DISK 80 HOLES D.1-5 SP LM	DISQUE 80 TROUS D. 1-5 SP LM	SCHEIBE 80 LTCHER D.1-5 SP LM	DISCO 80 ORIFICIOS D.1-5 SP LM
56	22230323	DISCO 100 FORI D.1,5 SP LM	DISK 100 HOLES D.1-5 SP LM	DISQUE 100 TROUS D. 1-5 SP LM	SCHEIBE 100 LTCHER D.1-5 SP LM	DISCO 100 ORIFICIOS D.1-5 SP L
57	22230324	DISCO 120 FORI D.1,5 SP LM	DISK 120 HOLES D.1-5 SP LM	DISQUE 120 TROUS D. 1-5 SP LM	SCHEIBE 120 LTCHER D.1-5 SP LM	DISCO 120 ORIFICIOS D.1-5 SP L
58	22230325	DISCO 160 FORI D.1,5 SP LM	DISK 160 HOLES D.1-5 SP LM	DISQUE 160 TROUS D. 1-5 SP LM	SCHEIBE 160 LTCHER D.1-5 SP LM	DISCO 160 ORIFICIOS D.1-5 SP L
59	22230326	DISCO 180 FORI D.1,5 SP LM	DISK 180 HOLES D.1-5 SP LM	DISQUE 180 TROUS D. 1-5 SP LM	SCHEIBE 180 LTCHER D.1-5 SP LM	DISCO 180 ORIFICIOS D.1-5 SP L
60	22230327	DISCO 20 FORI D.1,1 SP LM	DISK 20 HOLES D.1-1 SP LM	DISQUE 20 TROUS D. 1-1 SP LM	SCHEIBE 20 LTCHER D.1-1 SP LM	DISCO 20 ORIFICIOS D.1-1 SP LM
61	22230328	DISCO 52 FORI D.2,1 SP LM	DISK 52 HOLES D.2-1 SP LM	DISQUE 52 TROUS D. 2-1 SP LM	SCHEIBE 52 LTCHER D.2-1 SP LM	DISCO 52 ORIFICIOS D.2-1 SP LM
62	22230332	DISCO 13 FORI D.3,5 SP LM	DISK 13 HOLES D.3-5 SP LM	DISQUE 13 TROUS D.3-5 SP LM	SCHEIBE 13 LTCHER D.3-5 SP LM	DISCO 13 ORIFICIOS D.3-5 SP



**TELAIO ELEMENTO**

**TAV. 52/173**

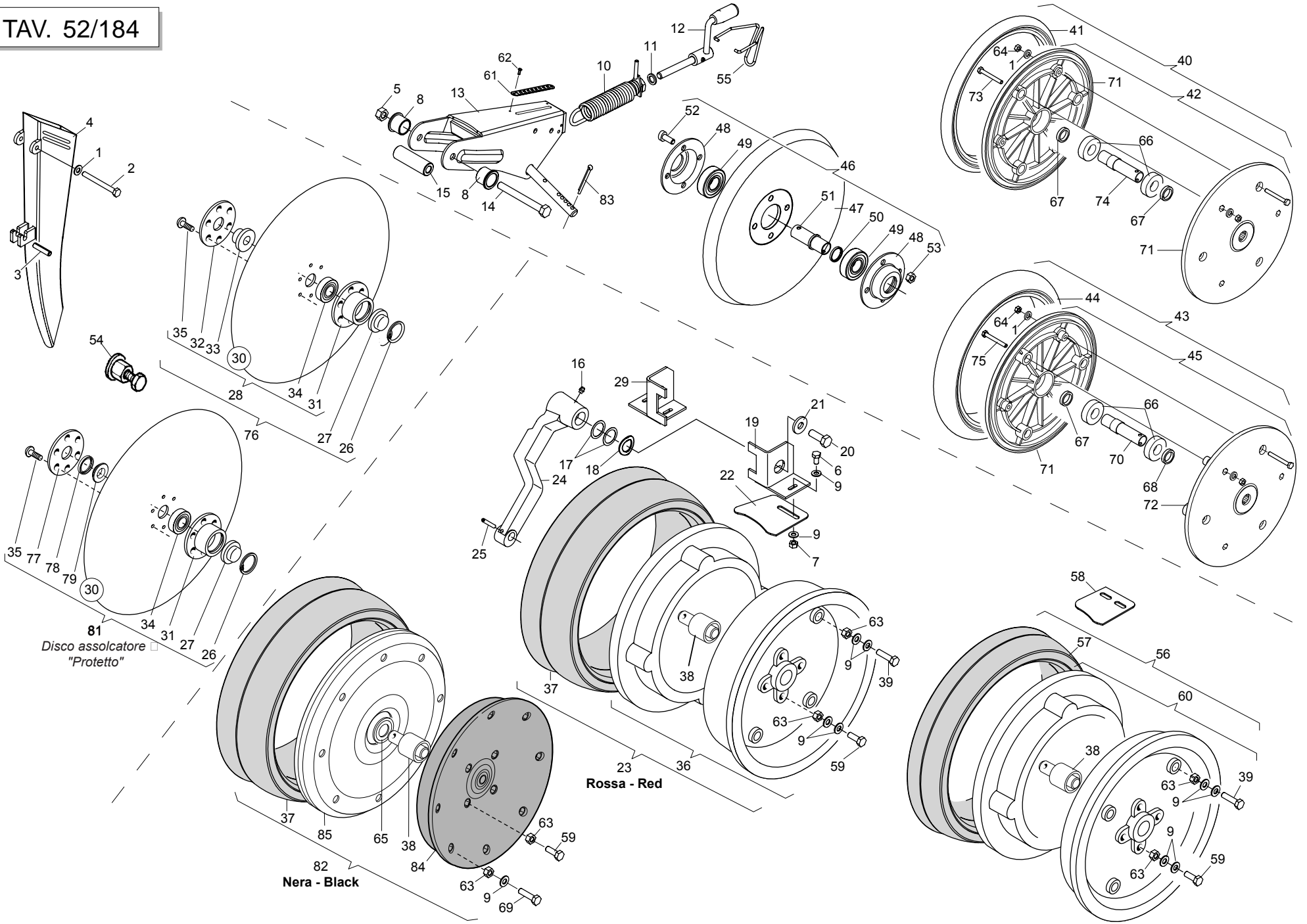
Pos.	Cod.	Descrizione	Description	Description	Benennung	Descripcion
1	F01220244	DADO TRISTOP M12	NUT- TRISTOP M12	ECROU TRISTOP M12	MUTTER TRISTOP M12	TUERCA TRISTOP M12
2	F01020440	VITE 8 X25 5739 8.G ZN	BOLT 8X25 5739 8.G GALVANIZED	VIS 8X25 5739 8.G ZN	SCHRAUBE 8X25 5739 8.G ZN	TORNILLO 8X25 5739 8.G ZN
3	F01200270	DADO 10 5588 6.8 ZN	SCREW 10 UNI 5588 6.8 GALVANIZ	ECROU 10 UNI 5588 6.8 ZN	MUTTER 10 UNI 5588 6.8 ZN	TUERCA 10 UNI 5588 6.8 ZN
4	15223060	ASS.PARALLELO SUPERIORE	UPPER PARALLEL	PARALL. SUP.	PARALLELOGRAMM OBEN	PARALELO SUPERIOR
5	F01220244	DADO TRISTOP M12	NUT- TRISTOP M12	ECROU TRISTOP M12	MUTTER TRISTOP M12	TUERCA TRISTOP M12
6	15224630	BOCCOLA BRACCIO	ARM BUSHING	BOITE BRAS	BsCHSE ARM	CASQUILLO BRAZO
7	F01020512	VITE 12X35 5739 8.G ZN	BOLT 12X35 5739 8.G GALVANIZED	VIS 12X35 5739 8.G ZN	SCHRAUBE 12X35 5739 8.G ZN	TORNILLO 12X35 5739 8.G ZN
8	15225150	PIASTRAATTACCO SEMINATORE	COUPLING PLATE	PLAQUE DE RACCORD	KUPPLUNGSPLATTE	PLACA DE CONEXIN
9	65337040	MOLLA TRAZ.ELEMENTO MT600	TRACTION SPRING MT600	RESSORT TRACT. ELEMENT MT600	ZUGFEDER ELEMENT MT600	MUELLE TRACC. ELEMENTO MT600
10	15224410	ATTACCO MOLLA	SPRING CONNECTION	FIXATION RESSORT	FEDERANSCHLUSS	ENGANCHE MUELLE
11	15223071	PARALLELO INFERIORE	LOWER PARALLEL	PARALL. INF.	PARALLELOGRAMM UNTEN	PARALELO INFERIOR
12	15420842	TAGLIENTE	EDGE	COUTRE CHASSE-MOTTE	SCHNEIDE	FILO DE CORTE
13	15224900	SPIANATERRA	SOIL LEVELLER	NIVELEUSE	ERDEBNER	NIVELADORA
14	F02200226	COPIGLIA 5 X25 1336 ZN	SPLIT PIN 5 X25 1336 GALVAN.	GOUPILLE 5 X25 1336 ZN	SPLINT 5 X25 1336 ZN	PASADOR 5 X25 1336 ZN
15	F01020508	VITE 12X25 5739 8.G ZN	SCREW 12X25 5739 8.G GALVANIZ.	VIS 12X25 5739 8.G ZN	SCHRAUBE 12X25 5739 8.G ZN	TORNILLO 12X25 5739 8.G ZN
16	15225770	SUPPORTO SPIANATERRA CORTO	SOIL LEVELLER SUPPORT SHORT	SUPPORT NIVELEUSE COURT	ERDEBNERHALTERUNG KURZ	SOPORTE NIVELADORA CORTO
17	F01020481	VITE 10X40 5739 8.G ZN	BOLT 10X40 5739 8.G GALVANIZED	VIS 10X40 5739 8.G ZN	SCHRAUBE 10X40 5739 8.G ZN	TORNILLO 10X40 5739 8.G ZN
18	F01020432	VITE 8 X16 5739 8.G ZN	BOLT 8X16 5739 8.G GALVANIZED	VIS 8X16 5739 8.G ZN	SCHRAUBE 8X16 5739 8.G ZN	TORNILLO 8X16 5739 8.G ZN
19	15220631	ASS.RASCHIATERRA DX.	RIGHT SOIL-SCRAPER	RACLEUR DRT.	ERDSCHABER RE	RASCADOR DE TIERRA DER.
20	15223481	ASS.RASCHIATERRA SX.	LEFT SOIL-SCRAPER	RACLEUR GCH.	ERDSCHABER LI	RASCADOR DE TIERRA IZQ.
21	F01200244	DADO 8 5588 6.8 ZN	NUT 8 UNI 5588 6.8 GALVANIZED	ECROU 8 UNI 5588 6.8 ZN	MUTTER 8 UNI 5588 6.8 ZN	TUERCA 8 UNI 5588 6.8 ZN
22	65337007	MOLLA TRAZ.ATT.3 PUNTI 12 F SP	TRACTION COUPLING SPRING 3 POI	RESSORT TRACT. ATTELAGE 3 POIN	ZUGFEDER 3 PUNKTE KUPPLUNG 12	MUELLE TRAC. CONEX. 3 PUNTOS 1
23	22505109	FERMO MOLLA AGGANCIO	SPRING STOP LINKAGE	ARRET RESSORT ATTELAGE	FESTSTELLVORR. FEDER VERBINDUN	BLOQUEO MUELLE ENGANCHE
24	15220540	DADO M16X1,5 SX	NUT M16X1-5 LEFT	ECROU M16X1-5 GCH	MUTTER M16X1-5 LI	TUERCA M16X1-5 IZQ
25	F01200232	DADO 6 5588 6.8 ZN	NUT 6 UNI 5588 6.8 GALVANIZED	ECROU 6 UNI 5588 6.8 ZN	MUTTER 6 UNI 5588 6.8 ZN	TUERCA 6 UNI 5588 6.8 ZN
26	15223561	PROTEZIONE DX	RIGHT GUARD	PROTECTION DRT	SCHUTZ RE	PROTECCIN DER P
27	66349003	BOCCOLA SINT.	BUSHING- SINTERED	BOITE FRITTEE	SYNTH. BUECHSE	CASQUILLO SINT.
28	22505108	MOZZO BRACCI PARALLELOGRAMMA	PARALLELOGRAM ARM HUB	MOYEU BRAS PARALLELOGRAMME	NABE PARALLELOGRAMMARME	CUBO BRAZOS PARALELOGRAMA
29	18903140	MOLLA GUIDATUBO	PIPE GUIDE SUPPORT	RESSORT GUIDE-TUBE	FEDER ROHRFshRUNG	MUELLE GUA TUBOS A
30	F01410051	RONDELLA D8 UNI 6592 ZN	WASHER D8 UNI 6592 GALVANIZED	RONDELLE D8 UNI 6592 ZN	UNTERLEGSSCHEIBE D8 UNI 6592 ZN	ARANDELA D8 UNI 6592 ZN
31	F01020179	VITE 12X150 5737 8.G ZN	BOLT 12X150 5737 8.G GALVANIZ.	VIS 12X150 5737 8.G ZN	SCHRAUBE 12X150 5737 8.G ZN	TORNILLO 12X150 5737 8.G ZN
32	15225851	CORPO CENTRALE MT	CENTRAL CASING	CORPS CENTR. MT	MITTELKTRPER MT	CUERPO CENTRAL MT
33	F01020449	VITE 8 X35 5739 8.G ZN	BOLT 8X35 5739 8.G GALVANIZED	VIS 8X35 5739 8.G ZN	SCHRAUBE 8X35 5739 8.G ZN	TORNILLO 8X35 5739 8.G ZN
34	22230063	ELEMENTO ARTICOLATO	ARTICULATED ELEMENT	ELEMENT ARTICULE	GELENKELEMENT	ELEMENTO ARTICULADO
35	F05100193	CAPPUCCIO 5.95X19,05 GIALLO	CAP 5.95X19,05 YELLOW	CAPUCHON 5,95X19,05	HAUBE 5,95X19,05	CAPUCHN 5.95X19,05
36	F02100126	SPINA EL.6 X60 DIN 1481	PIN EL. 6 X60 DIN 1481	FICHE EL. 6 X60 DIN 1481	SPANNSTIFT 6 X60 DIN 1481	CLAVIJA EL.6 X60 DIN 1481
37	22505058	VITE DI REGOLAZIONE POSTERIORE	REAR ADJUSTMENT BOLT	VIS DE REGLAGE ARRIERE	HINTERE EINSTELLSCHRAUBE	TORNILLO DE REGULACIN TRASEROS
38	20970149	RONDELLA D.15X28X1,5	WASHER D.15X28X1-5	RONDELLE D. 15X28X1-5	UNTERLEGSSCHEIBE D.15X28X1-5	ARANDELA D.15X28X1-5
39	22270235	MANIGLIA REGOLAZIONE B4	ADJUSTMENT HANDLE B4	POIGNEE REGLAGE B4	EINSTELLGRIFF B4	MANIJA REGULACIN B4 M
40	F02100109	SPINA EL.6 X24 DIN 1481	PIN EL. .6 X24 DIN 1481	FICHE EL. 6 X24 DIN 1481	SPANNSTIFT 6 X24 DIN 1481	CLAVIJA EL.6 X24 DIN 1481
41	18903740	MOLLA FERMO MANIG.MAGICA < 03	HANDLE STOP SPRING MAGICA 2003	RESSORT ARRET POIG.MAGICA 2003	FEDER GRIFFSPERRE MAGICA 2003	MUELLE BLOQUEO MAN. MAGICA 03
42	F01020403	VITE 6 X16 5739 8.G ZN	BOLT 6X16 5739 8.G GALVANIZED	VIS 6X16 5739 8.G ZN	SCHRAUBE 6X16 5739 8.G ZN	TORNILLO 6X16 5739 8.G ZN
43	F01230022	DADO AUTOB.NOR.6 ZN	NORM.SELF-LOCKING NUT 6 GALVAN	ECROU AUTOB.NOR.6 ZN	SELBSTSP.MUTTER NOR.6 ZN	TUERCA AUTOB. NOR. 6 ZN
44	19002700	PROTEZIONE FOTOCELLULA >	PHOTOCELL PROTECTION	PROTECT CAPT PHOTOC SP3-MT-MG>	SCHUTZ PHOTOZELLE	PROTECCIN FOTOCLLULA PR
45	F01020408	VITE 6 X30 5739 8.G ZN	BOLT 6X30 5739 8.G GALVANIZED	VIS 6X30 5739 8.G ZN	SCHRAUBE 6X30 5739 8.G ZN	TORNILLO 6X30 5739 8.G ZN
46	15224690	SUPP.BILANCIERE	ROCKERS SUPPORT	GR. SUPPORT BALANCIER	EINHEIT KIPPHEBELHALTERUNG	SOP. BALANCN S
47	22505056	PERNO	PIN	PIVOT	ZAPFEN	PINO
48	19705290	TARGHETTA REG.DX RUOTE PROFOND	PLATE	PLAQUET	PLATTE	PLACA
49	18701820	RONDELLA 16,5X25X1,0 ZN	WASHER 16.5 X 25 X 1- GALVAN.	RONDELLE 16,5 X25 X1 ZN	UNTERLEGSSCHEIBE 16,5 X25 X1 ZN	ARANDELA 16,5 X25 X1 ZN
50	19203130	BILANCIERE PRFONDITA'	DEPTH EQUALISER	BALANCIER PROFONDEUR	KIPPHEBEL TIEFE	BALANCÍN PROFUNDIDAD
51	20970035	RONDELLA 32X4X13	WASHER 32X4X13	RONDELLE 32X4X13	UNTERLEGSSCHEIBE 32X4X13	ARANDELA 32X4X13
52	15220661	ASS.RASCHIATERRA SX.	LEFT SOIL-SCRAPER	RACLEUR GCH.	ERDSCHABER LI	RASCADOR DE TIERRA IZQ.
53	15223501	ASS.RASCHIATERRA DX.	RIGHT SOIL-SCRAPER	RACLEUR DRT.	ERDSCHABER RE	RASCADOR DE TIERRA DER.
54	19203121	TAGLIENTE INTERNO DISCHI MT	INNER DISC CUTTING EDGE MT	FRANCHANT INT+RIEUR DISQUES MT	INNERE SCHNEIDE SCHEIBEN MT	FILO INTERNO DISCOS MT
55	F02100094	SPINA EL.5 X60 DIN 1481 *	PIN EL. .5 X60 DIN 1481 *	FICHE EL. 5 X60 DIN 1481 *	SPANNSTIFT 5 X60 DIN 1481 *	CLAVIJA EL.5 X60 DIN 1481 *



# TELAIO ELEMENTO

TAV. 52/173

Pos.	Cod.	Descrizione	Description	Description	Benennung	Descripcion
56	F02100062	SPINA EL.4 X24 DIN 1481	PIN EL. 4 X24 DIN 1481	FICHE EL. 4 X24 DIN 1481	SPANNSTIFT 4 X24 DIN 1481	CLAVIJA EL.4 X24 DIN 1481
57	22505048	FERMO LEVA	LEVER STOP	ARRET LEVIER	FESTSTELLVORRICHTUNG HEBEL	BLOQUEO PALANCA
58	F02100083	SPINA EL.5 X24 DIN 1481	PIN EL. 5 X24 DIN 1481	FICHE EL. 5 X24 DIN 1481	SPANNSTIFT 5 X24 DIN 1481	CLAVIJA EL.5 X24 DIN 1481
59	22505110	LEVA AGGANCIAMENTO ELEMENTO	ELEMENT COUPLING LEVER	LEVIER ATTELAGE ELEMENT	KUPPLUNGHEBEL ELEMENT	PALANCA ENGANCHE ELEMENTO
60	20970100	RONDELLA 30X0,5X22 ACC.	WASHER 30X0-5X22 ACC.	RONDELLE 30X0-5X22 ACIER	UNTERLEGSCHLEIBE 30X0-5X22 ACC.	ARANDELA 30X0-5X22 ACC.
61	19700810	DECAL.REGOLAZIONE PROFONDITA'	DEPTH ADJUSTMENT STICKER	DECALC. REGLAGE PROFONDEUR	ABZIEHB. EINST. TIEFE	CAL.REGULACION PROFUNDIDAD
62	F01200442	DADO 16X1,5 5589 6.8 ZN	NUT 16X1-5 UNI 5589 6.8 GALVAN	ECROU 16X1-5 UNI 5589 6.8 ZN	MUTTER 16X1-5 UNI 5589 6.8 ZN	TUERCA 16X1-5 UNI 5589 6.8 ZN
63	19705280	TARGHETTA REG.SX RUOTE PROFOND	PLATE	PLAQUET	PLATTE	PLACA
64	15223571	PROTEZIONE SX	LEFT GUARD	PROTECTION GCH	SCHUTZ LI	PROTECCIN IZQ P
65	F01070047	VITE 3,5X9,5 DIN 7981	BOLT 3-5X 9-5 DIN 7981	VIS 3-5X 9-5 DIN 7981	SCHRAUBE 3-5X 9-5 DIN 7981	TORNILLO 3-5X 9-5 DIN 7981
66	15225970	FALCIONE CORTO INT.DISCHI COMP	COMPL. DISKS INNER COULTER	HACHOIR INTERNE DISQUES COMPL.	S-SCHARSCHEIBEN INNEN KOMPL.	ARADO INTERNO DISCOS COMPL.
67	15223140	ASSE DISCHI	DISC SPINDLE	AXES DISQUES	SCHLEIBENACHSE	EJE DISCOS
68	15224500	SCIVOLO SCARICO SEMI	SEED DISCHARGE CHUTE	LANCOIR DECHARGE GRAINES	RUTSCHE SAMENENTLADUNG	PLANO INCLINADO DESCARGA SEMIL
69	F02250066	RIVETTO A STRAPPO 3X9 ALL	POP RIVET 3X9 ALUMINIUM	RIVET 3 X 9 ALL	REISSNIETE 3 X 9 ALU	REMACHE DESGAR. 3 X 9 AL
70	15225860	PROTEZIONE DISCHI	DISC PROTECTION	PROTECTION DISQUE	DISCSCHUTZ	PROTECCIN DISCO
71	F01020470	VITE 10X20 5739 8.G ZN	BOLT 10X20 5739 8.G GALVANIZED	VIS 10X20 5739 8.G ZN	SCHRAUBE 10X20 5739 8.G ZN	TORNILLO 10X20 5739 8.G ZN
72	15225250	SPIANATERRA L.220	SOIL LEVELLER L.220	NIVELEUSE L.220	ERDEBNER L.220	NIVELADORA L.220
73	15225260	SPIANATERRA L.253 DX	SOIL LEVELLER L.253 - RIGHT	NIVELEUSE L.253 - DRT.	ERDEBNER L.253 - RECHTS	NIVELADORA L.253 - DER.
74	15225270	SPIANATERRA L.253 SX	SOIL LEVELLER L.253 - LEFT	NIVELEUSE L.253 - GCH.	ERDEBNER L.253 - LINKS	NIVELADORA L.253 - IZQ.
75	15225390	LEVA SOLLEV.SEMINAT.COMPL MT	LIFTING LEVER COMPLETE	LEVIER DE LEVAGE COMPLETE	HEBELHUB KOMPLETT	PALANCA LEVANTAMIENTO COMPL.
76	15225380	LEVA SOLLEVAMENTO ELEMENTO	LIFTING LEVER	LEVIER DE LEVAGE	HEBELHUB	PALANCA LEVANTAMIENTO
77	15225370	TUBO R.35X15X1,5X750 FORATO	TUBE R.35X15X1,5X750	TUBE R.35X15X1,5X750	ROHR R.35X15X1,5X750	TUBO R.35X15X1,5X750
78	F02200562	SPINA DI SICUREZZA D.8X70 ZN	SAFETY PIN D.8X70 ZN	FICHE DE SECURITE D. 8X70 ZN	SICHERHEITSTIFT D.8X70 ZN	CLAVIJA DE SEGURIDAD D.8X70 ZN
79	41601101	VITE 14 X160 5737 8.G	BOLT M 14 X160 5737 8.G	VIS M 14 X160 5737 8.G	SCHRAUBE M 14 X160 5737 8.G	TORNILLO M 14 X160 5737 8.G
79	41602124	VITE 14X220 5737 8.G ZN	BOLT 14X220 5737 8.G GALVANIZ.	VIS 14X220 5737 8.G ZN	SCHRAUBE 14X220 5737 8.G ZN	TORNILLO 14X220 5737 8.G ZN
80	15110091	SCONTRO A U	STRIKER	BRIDE 150 MM	ANSCHLAG	ELEMENTO DE EMPALME
81	22505037	SCONTRO PIASTRAATTACCO MT	STRIKER PLATE ATT. MT	BUTEE PLAQUE FIXATION MT	KUPPLUNGSPATTEN-ANSCHLAG MT	ELEMENTO DE EMPALME PLACA CONE
82	F01200306	DADO 14 5588 6.8 ZN	NUT 14 UNI 5588 6.8 GALVANIZED	ECROU 14 UNI 5588 6.8 ZN	MUTTER 14 UNI 5588 6.8 ZN	TUERCA 14 UNI 5588 6.8 ZN
83	22505102	SCONTRO RINFORZO SERBATOIO	STRIKER PLATE TANK REINFORCEME	BUTEE RENFORCEMENT RESERVOIR	BEHZLTER VERSTZRKUNANSCHLAG	ELEM.EMPALME REFUERZO DEPOSITO
84	F01020404	VITE 6 X20 5739 8.G ZN	BOLT 6X20 5739 8.G GALVANIZED	VIS 6X20 5739 8.G ZN	SCHRAUBE 6X20 5739 8.G ZN	TORNILLO 6X20 5739 8.G ZN
85	F01220211	DADO TRISTOP M 6	NUT- TRISTOP M 6	ECROU TRISTOP M 6	MUTTER TRISTOP M 6	TUERCA TRISTOP M 6
86	15225980	FALCIONE CORTO INT.DISCHI	DISKS INNER COULTER	HACHOIR INTERNE DISQUES	S-SCHARSCHEIBEN INNEN	ARADO INTERNO DISCOS
87	F02250270	RIBATTINO TT 6X18 U748	RIVET TT 6X18 U748	RIVET TT 6X18 U748	NIETE TT 6X18 U748	REMACHE TT 6X18 U748

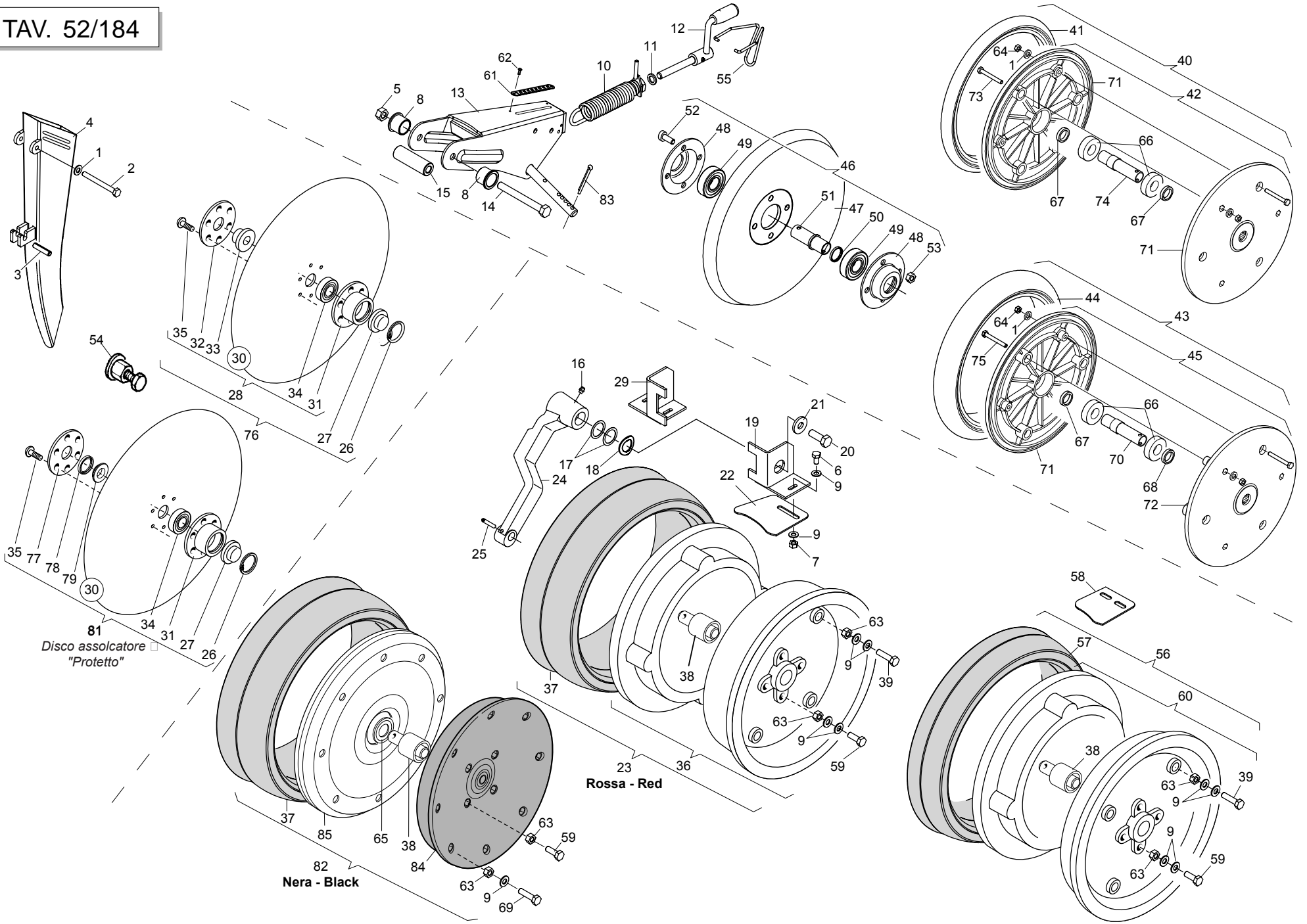




# RUOTE DI DI PROFONDITA' E DI COMPRESSIONE

TAV. 52/184

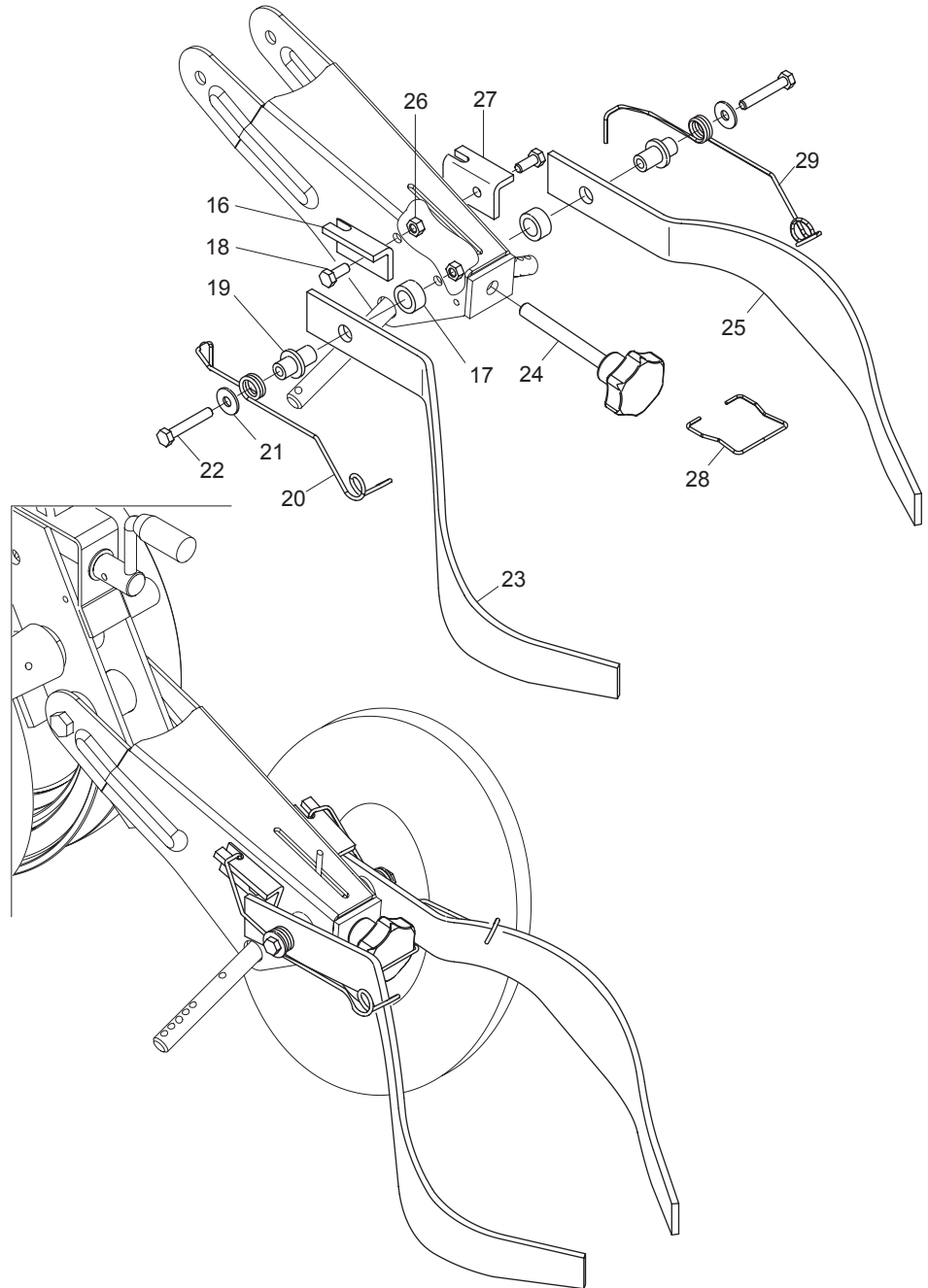
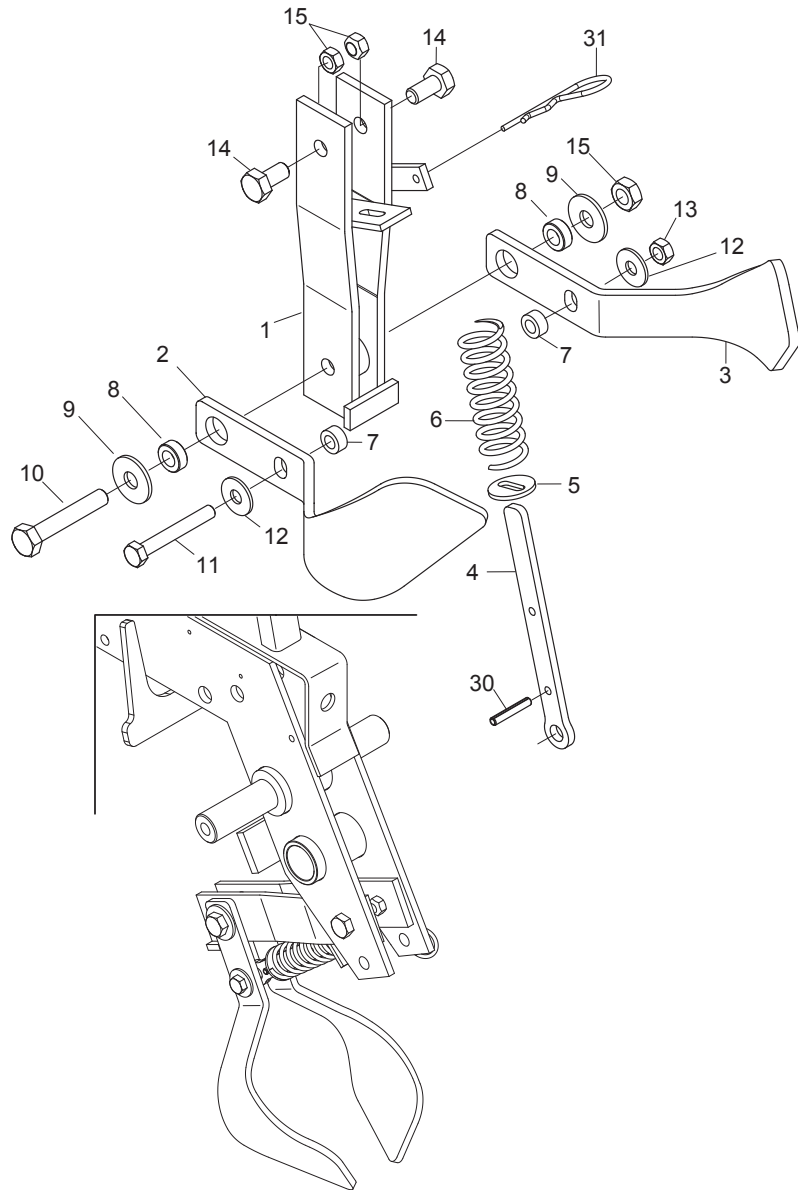
Pos.	Cod.	Descrizione	Description	Description	Benennung	Descripcion
1	F01410037	RONDELLA D6 UNI 6592 ZN	WASHER D6 UNI 6592 GALVANIZED	RONDELLE D6 UNI 6592 ZN	UNTERLEGSSCHEIBE D6 UNI 6592 ZN	ARANDELA D6 UNI 6592 ZN
2	F01020043	VITE 6 X60 5737 8.G ZN	BOLT 6 X60 5737 8.G GALVANIZED	VIS 6 X60 5737 8.G ZN	SCHRAUBE 6 X60 5737 8.G ZN	TORNILLO 6 X60 5737 8.G ZN
3	F02100110	SPINA EL.6 X26 DIN 1481	PIN EL. 6 X26 DIN 1481	FICHE EL.6 X26 DIN 1481	SPANNSTIFT 6 X26 DIN 1481	CLAVIJA EL.6 X26 DIN 1481
4	19002910	CONVOGLIATORE SEME PLASTICA	PLASTIC SEED CONVEYOR	CONVOYEUR GRAINE PLASTIQUE	SAMENFTRDERER PLASTIK	TRANSPORTADOR SEMILLAS DE PLAS
5	F01220244	DADO TRISTOP M12	NUT- TRISTOP M12	ECROU TRISTOP M12	MUTTER TRISTOP M12	TUERCA TRISTOP M12
6	F01020436	VITE 8 X20 5739 8.G ZN	BOLT 8X20 5739 8.G GALVANIZED	VIS 8X20 5739 8.G ZN	SCHRAUBE 8X20 5739 8.G ZN	TORNILLO 8X20 5739 8.G ZN
7	F01200244	DADO 8 5588 6.8 ZN	NUT 8 UNI 5588 6.8 GALVANIZED	ECROU 8 UNI 5588 6.8 ZN	MUTTER 8 UNI 5588 6.8 ZN	TUERCA 8 UNI 5588 6.8 ZN
8	66349003	BOCCOLA SINT.	BUSHING- SINTERED	BOITE FRITTEE	SYNTH. BUECHSE	CASQUILLO SINT.
9	F01410051	RONDELLA D8 UNI 6592 ZN	WASHER D8 UNI 6592 GALVANIZED	RONDELLE D8 UNI 6592 ZN	UNTERLEGSSCHEIBE D8 UNI 6592 ZN	ARANDELA D8 UNI 6592 ZN
10	15221000	INDICATORE REGOLAZIONE	ADJUSTMENT INDICATOR	INDICATEUR REGLAGE	REGULIERANZEIGER	INDICADOR REGULACION
11	F01410076	RONDELLA D12 UNI 6592 ZN	WASHER D12 UNI 6592 ZN	RONDELLE D12 UNI 6592 ZN	UNTERLEGSSCHEIBE D12 UNI 6592 Z	ARANDELA D12 UNI 6592 ZN
12	15220960	MANIGLIA REGOLAZIONE	ADJUSTMENT HANDLE	POIGNEE REGLAGE	EINSTELLGRIFF	MANIJA REGULACION
13	15224610	SUPPORTO RUOTE COMPRESSIONE MT	COMPRESSION WHEEL SUPPORT MT	SUPPORT ROUES DE COMPRESSION	DRUCKROLLENHALTERUNG MT	SOPORTE RUEDAS DE COMPRESION
14	F01020170	VITE 12X100 5737 8.G ZN	BOLT 12X100 5737 8.G GALVANIZ.	VIS 12X100 5737 8.G ZN	SCHRAUBE 12X100 5737 8.G ZN	TORNILLO 12X100 5737 8.G ZN
15	22505059	MOZZO POSTERIORE	REAR HUB	MOYEU ARRIERE	HINTERNABE	CUBO TRASERO
16	F01100011	INGRASS.A SFERE M6X1/A	SPHERE NIPPLE M6X1/A	GRAISSEUR A BILLES M6X1/A	KUGELFETTBSCHSE M6X1/A	ENGRAS. DE ESFERAS M6X1/A
17	F01440079	RONDELLA 26,2 X34,8 X0,5	WASHER D.26,2X34,8X0,5	RONDELLE D.26,2X34,8X0,5	UNTERLEGSSCHEIBE D.26,2X35X0,5	ARANDELA D.26,2X34,8X0,5
18	18701880	RONDELLA DI SPINTA	WASHER	RONDELLE	UNTERLEGSSCHEIBE	ARANDELA
19	15223831	ATT.RASCHIATERRA SX	LEFT SOIL SCRAPER ATTACHMENT.	CONNEXION RACLEUR GCH	ERDSCHABERANSCHLUSS LI	CONEX. RASCADOR DE TIERRA IZQ
20	F01020510	VITE 12X30 5739 8.G ZN	BOLT12X30 5739 8.G GALVANIZED	VIS 12X30 5739 8.G ZN	SCHRAUBE 12X30 5739 8.G ZN	TORNILLO 12X30 5739 8.G ZN
21	20970035	RONDELLA 32X4X13	WASHER 32X4X13	RONDELLE 32X4X13	UNTERLEGSSCHEIBE 32X4X13	ARANDELA 32X4X13
22	15223862	RASCHIATERRA RUOTE COMPRESS.	SOIL SCRAPER PRESS WHEEL	D+CROTTOIR ROUES DE COMPRESSION	ABSTREIFER DRUCKROLLE	RASCADOR TIERRA RUEDAS COMPRES
23	15223870	RUOTA PROFONDITA' MT	DEPTH WHEEL MT	ROUE PROFONDEUR MT	TIEFENRAD MT	RUEDA PROF.MT
24	22505132	BRACCIO RUOTA PROFONDITA'	DEPTH WHEEL ARM-	BRAS ROUE PROFONDEUR	TIEFENRADARM	BRAZO RUEDA DE PROFUNDIDAD
25	F02100118	SPINA EL.6 X36 DIN 1481	PIN EL. 6 X36 DIN 1481	FICHE EL. 6 X36 DIN 1481	SPANNSTIFT 6 X36 DIN 1481	CLAVIJA EL.6 X36 DIN 1481
26	F02050631	ANELLO ARR.47 UNI 7437-75	STOP RING 47 UNI 7437-75	BAGUE ARRET 47 UNI 7437-75	RING 47 UNI 7437-75	ANILLO PARADA 47 UNI 7437-75
27	66248248	TAPPO IN PLASTICA	PLASTIC PLUG	BOUCHON EN PLASTIQUE	PLASTIKPFROPFEN	TAPN DE PLÆSTICO
28	22505054	DISCO D.370 MT-600	TOOTHED DISK D.370 MT-600	DISQUE D370 MT A/MOY-ROUL	SCHIBE D.370 MT-600	DISCO D.370 MT-600
29	15223851	ATTACCO RASCHIATERRA DX	RIGHT SOIL SCRAPER ATTACHMENT	CONNEXION RACLEUR DRT	ERDSCHABERANSCHLUSS RE	CONEX. RASCADOR DE TIERRA DER
30	13825091	DISCO ASSOLCATORE D.373	FURROW OPENER DISK D.373	DISQUE D. 373 6 T.D.6	SCHIBE SZSCHARENREISSER D.373	DISCO SURCADOR D.373
31	15223651	SUPPORTO CUSCINETTO DISCO	DISK BEARING SUPPORT	SUPPORT PALIER DISQUE	SCHIBEINLAGERBSCHSE	SOPORTE COJINETE DISCO
32	22310057	FLANGIA INTERNA DISCO DP	INNER DISK FLANGE DP	BRIDE INT. DISQUE DP	INNENFLANSCH SCHEIBE DP	BRIDA INTERIOR DISCO DP
33	13825081	BOCCOLA PARAPOLVERE DISCO	DISC DUST SEAL BUSH	DOUILLE PARE-POUSSI+RE DISQUE	BUCHSE STAUBABDECKUNG SCHEIBE	MANGUITO GUARDAPOLVO DISCO
34	F04010084	CUSCINETTO 3303 2RS	BEARING 3303 2RS	PALIER 3303 2RS	LAGER 3303 2RS	COJINETE 3303 2RS
35	F02250520	CONF.RIBATTINI TSC 6 X19,8 KG	PACK BLAD.MOUNT.TSC 6 X19-8 KG	PAQUET RIVETS TSC 6 X19-8 KG	PACKUNG NIETEN TSC 6 X19-8 KG	PAQU. DE REMACHES TSC 6 X19-8
36	F06120203	CERCHIO CON CUSC.X COP.400X115	RING W/BEARING FOR COVER400X115	JANTE CON CUSC.X COP.400X115	REIFEN MIT LAGER F.MANT. 400X1	LLANTA CON COJ. X COB. 400X115
37	F06120188	COPERTURA RUOTA PROFONDITA' MT	DEPTH WHEEL COVERING MT	COUVERTURE ROUE PROFONDEUR MT	MANTEL TIEFENRAD' MT	CUBIERTA RUEDA PROFUNDIDAD MT
38	F04100040	CUSCINETTO X CERCHIO 400X115	BEARING RING 400X115	PALIER ROUE JAUG JANTE 400X115	LAGER REIFEN 400X115	COJINETE LLANTA 400X115
39	F01020436	VITE 8 X20 5739 8.G ZN	BOLT 8X20 5739 8.G GALVANIZED	VIS 8X20 5739 8.G ZN	SCHRAUBE 8X20 5739 8.G ZN	TORNILLO 8X20 5739 8.G ZN
40	F06120076	RUOTA DA 1 POLLICE MT	RUBBERIZED WHEEL	ROUE CAOUTCHOUTEE	GUMMIRAD	RUEDA DE CAUCHO
41	F06120181	ANELLO IN GOMMA 1 POLLICE MT	COVERING FARMF.R.COMPR.MT	COUVERT FARMF ROUE COMPR 1"X12	MANTEL FARMF.R.DRUCK .MT	CUBIERTA FARMF. R. COMPR. MT
42	F06120051	CERCHIO PLA. 1" COMPLETO	COMPLETE PLASTIC RIM	JANTE PLAST.COMPLET	FELGE PLA. KOMPL.	ARO PL-ST.COMPLETO
43	F06120075	RUOTA DA 2 POLLICI MT	RUBBERIZED WHEEL	ROUE CAOUTCHOUTEE	GUMMIRAD	RUEDA DE CAUCHO
44	F06120165	COPERTURA 2' X 13'	COVERING 2' X 13'	COUVERT FARMF ROUE COMPR 2"X13	MANTEL 2' X 13'	CUBIERTA 2' X 13'
45	F06120050	CERCHIO PLA. 2" COMPLETO	COMPLETE PLASTIC RIM	JANTE PLAST.COMPLET	FELGE PLA. KOMPL.	ARO PL-ST.COMPLETO
46	15224790	RUOTA GHISA POST.COMPL.	COMPL. REAR CAST IRON WHEEL	ROUE FONTE ARRI+RE COMPL+TE	HINTERES GUSSEISENRAD KOMPL.	RUEDA FUNDICIEN TRAS.COMPL.
47	15224800	RUOTA POSTERIORE GS	REAR WHEEL	ROUE ARRIERE	HINTERRAD	RUEDA TRASERO
48	16242190	SUPPORTO CUSCINETTO	BEARING SUPPORT	SUPPORT PALIER	LAGERBSCHSE	SOPORTE COJINETE
49	F04010164	CUSCINETTO 6204 2RS	BEARING 6204 2RS	ROULEMENT 6204 2RS	LAGER 6204 2RS	COJINETE 6204 2RS
50	15224810	BOCCOLA 20,5X25X3	BUSH 20.5X25X3	DOUILLE 20,5X25X3	BUCHSE 20,5X25X3	MANGUITO 20,5X25X3
51	15423850	BOCCOLA RUOTA FERRO	STEEL WHEEL BUSH	DOUILLE ROUE FER	BUÈCHE EISENRAD	BUJE RUEDA DE HIERRO
52	F01040091	VITE 8 X20 5931 8.G ZN	SCREW 8 X20 5931 8.G ZN	VIS 8 X20 5931 8.G ZN	SCHRAUBE 8 X20 5931 8.G ZN	TORNILLO 8 X20 5931 8.G ZN
53	F01220222	DADO TRISTOP M 8	NUT- TRISTOP M 8	ECROU TRISTOP M 8	MUTTER TRISTOP M 8	TUERCA TRISTOP M 8
54	15225240	ESTRATTORE DISCHI ELEMENTO MT	SEED PLATE EXTRACTOR ELEM. MT	EXTRACTEUR DISQUE ELEMENT MT	SCHIEBENAUZIEHER ELEMENT MT	EXTRACTOR DISCOS ELEMENTO MT
55	18903740	MOLLA FERMO MANIG.MAGICA < 03	HANDLE STOP SPRING MAGICA 2003	RESSORT ARRET POIG.MAGICA 2003	FEDER GRIFFSPERRE MAGICA 2003	MUELLE BLOQUEO MAN. MAGICA 03



# RUOTE DI DI PROFONDITA' E DI COMPRESSIONE

TAV. 52/184

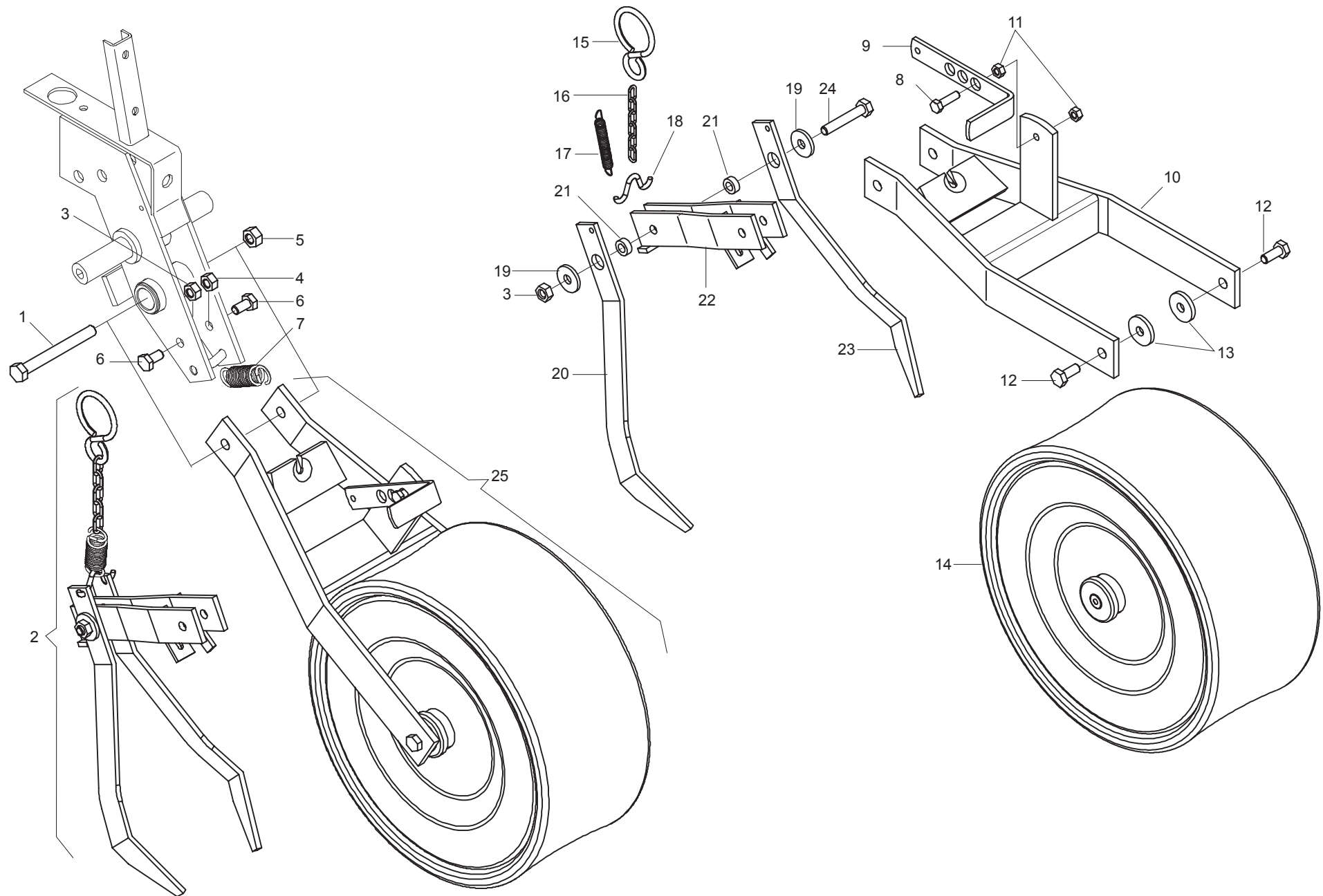
Pos.	Cod.	Descrizione	Description	Description	Benennung	Descripcion
56	15225020	RUOTA PROFONDITA' MT COMPL.	DEPTH WHEEL MT ASSY.	ROUE PROFONDEUR MT COMPL.	TIEFENRAD MT KOMPLETT	RUEDA PROF.MT COMPL.
57	F06120189	COPERTURA FARMFLEX 400X65	COVERING FARMFLEX 400X65	COUVERTURE FARMFLEX 400X65	MANTEL FARMFLEX 400X65	CUBIERTA FARMFLEX 400X65
58	15225012	RASCHIATERRA RUOTE COMPRES.65	SOIL SCRAPER PRESS WHEEL 65	D+CROTTOIR ROUES DE COMPRESSIO	ABSTREIFER DRUCKROLLE 65	RASCADOR TIERRA RUEDAS COMPRES
59	F01020440	VITE 8 X25 5739 8.G ZN	BOLT 8X25 5739 8.G GALVANIZED	VIS 8X25 5739 8.G ZN	SCHRAUBE 8X25 5739 8.G ZN	TORNILLO 8X25 5739 8.G ZN
60	F06120145	SEMICERCHIO 400X65	HALF RIM 400X65	DEMI-JANTE 400X65	HALBFELGE 400X65	SEMIARO 400X65
61	19703480	TARGHETTA REG.RUOTE COMPRESS.	PLATE	PLAQUET	PLATTE	PLACA
62	F02250066	RIVETTO A STRAPPO 3X9 ALL	POP RIVET 3X9 ALUMINIUM	RIVET 3 X 9 ALL	REISSNIETE 3 X 9 ALU	REMACHE DESGAR. 3 X 9 AL
63	F01230034	DADO AUTOB.NOR.8 ZN	NORMAL SELF-LOCKING NUT 8 GALV	ECROU AUTOB. NOR. 8 ZN	SELBSTSP. MUTTER NOR. 8 ZN	TUERCA AUTOB. NOR. 8 ZN
64	F01230022	DADO AUTOB.NOR.6 ZN	NORM.SELF-LOCKING NUT 6 GALVAN	ECROU AUTOB.NOR.6 ZN	SELBSTSP. MUTTER NOR.6 ZN	TUERCA AUTOB. NOR. 6 ZN
65	F01440083	ROS. 17X40X0,5 D988 ST2K60 BR	WASHER 17X40X0,5 D988 ST2K60	RONDELLE 17X40X0,5 D988 ST2K60	SCHEIBE 17X40X0,5 D988 ST2K60	ARANDELA 17X40X0,5 D988 ST2K60
66	F04010131	CUSCINETTO 6004 2RS	BEARING 6004 2RS	PALIER 6004 2RS	LAGER 6004 2RS	COJINETE 6004 2RS
67	F03011082	GUARNIZIONE A LABBRO 26X20X5	LIP SEAL 26X20X5	JOINT A L+VRE 26X20X5	LIPPENMANSCHETTE 26X20X5	JUNTA DE REBORDE 26X20X5
68	F03011083	GUARNIZIONE A LABBRO 30X20X7	LIP SEAL 30X20X7	JOINT A L+VRE 30X20X7	LIPPENMANSCHETTE 30X20X7	JUNTA DE REBORDE 30X20X7
69	F01020070	VITE 8 X45 5737 8.G ZN	BOLT 8 X45 5737 8.G GALVANIZED	VIS 8 X45 5737 8.G ZN	SCHRAUBE 8 X45 5737 8.G ZN	TORNILLO 8 X45 5737 8.G ZN
70	F06120233	DISTANZIALE RUOTA 2"	WHEEL SPACER 2"	ENTRETOISE ROUE 2"	ABSTANDST. CK RAD 2"	DISTANCIADOR RUEDA 2"
71	F06120146	SEMICERCHIO PLA RUOTA 1"	PLASTIC WHEEL HALF RIM 1"	DEMI-JANTE PLAST. ROUE 1"	HALBFELGE PLA RAD 1"	SEMIARO PL-ST.RUEDA 1"
72	F06120147	SEMICERCHIO PLA RUOTA 2"	PLASTIC WHEEL HALF RIM 2"	DEMI-JANTE PLAST. ROUE 2"	HALBFELGE PLA RAD 2"	SEMIARO PL-ST.RUEDA 2"
73	F01020036	VITE 6 X25 5737 8.G ZN	BOLT 6 X25 5737 8.G GALVANIZED	VIS 6 X25 5737 8.G ZN	SCHRAUBE 6 X25 5737 8.G ZN	TORNILLO 6 X25 5737 8.G ZN
74	F06120232	DISTANZIALE RUOTA 1"	WHEEL SPACER 1"	ENTRETOISE ROUE 1"	ABSTANDST. CK RAD 1"	DISTANCIADOR RUEDA 1"
75	F01020042	VITE 6 X50 5737 8.G ZN	BOLT 6 X50 5737 8.G GALVANIZ.	VIS 6 X50 5737 8.G ZN	SCHRAUBE 6 X50 5737 8.G ZN	TORNILLO 6x50 5737 8.G ZN
76	22505131	DISCO ASSOLC.COMPL.MT	FURROW OPENER DISK ASSY.	DISQUE D370 MT A/MOY-ROUL-BOUC	SCHEIBE SZSCHARENREISSER KOMPL	DISCO SURCADOR COMPL.MT
77	15225480	FLANGIA INT.DISCO PROTETTO ZN	INNER DISK FLANGE	BRIDE INT. DISQUE	INNENFLANSCH SCHEIBE	BRIDA INTERIOR DISCO
78	F03011075	ANELLO DI TENUTA G24X32X4	SEALING RING G24X32X4	BAGUE D'ETANCHEITE G24X32X4	DICHTRING G24X32X4	ANILLO AISLADOR G24X32X4
79	15225490	BOCCOLA PARAP.DISCO PROTETTO	BUSHING PARAP.DISCO PROTETTO	BOITE PARAP.DISCO PROTETTO	BUCHSE PARAP.DISCO PROTETTO	MANGUITO PARAP.DISCO PROTETTO
80	15223651	SUPPORTO CUSCINETTO DISCO	DISK BEARING SUPPORT	SUPPORT PALIER DISQUE	SCHEIBENLAGERBsCHSE	SOPORTE COJINETE DISCO
81	15225500	DISCO ASSOLC.PROTETTO COMPL.	COMPL. PROTECTED DISC COULTER	DISQUE DU SOC PROT+G+ COMPLET	GESCH. TZTE FURCHENFORMSCHEIBE	DISCO SURC.PROTEGIDO COMPL.
82	F06120090	RUOTA PROFONDITA' TAMBURATA MT	DEPTH WHEEL MT	ROUE PROFONDEUR MT	TIEFENRAD MT	RUEDA PROF.MT
83	F02200227	COPIGLIA 5 X30 1336 ZN	SPLIT PIN 5 X30 1336 GALVAN.	GOUPILE 5 X30 1336 ZN	SPLINT 5 X30 1336 ZN	PASADOR 5 X30 1336 ZN
84	56345119	SEMICERCHIO PLAST.NERO 400X115	PLASTIC WHEEL HALF RIM 400X115	DEMI-JANTE PLAST. ROUE 400X115	HALBFELGE PLA RAD 400X115	SEMIARO PL-ST.RUEDA 400X115
85	56345120	SEMICERCHIO FE NERO 400X115	HALF RIM 400X115	DEMI-JANTE 400X115	HALBFELGE 400X115	SEMIARO 400X115



# COPRISEMI ANTERIORI E POSTERIORI PER RUOTE A "V"

TAV. 52/401

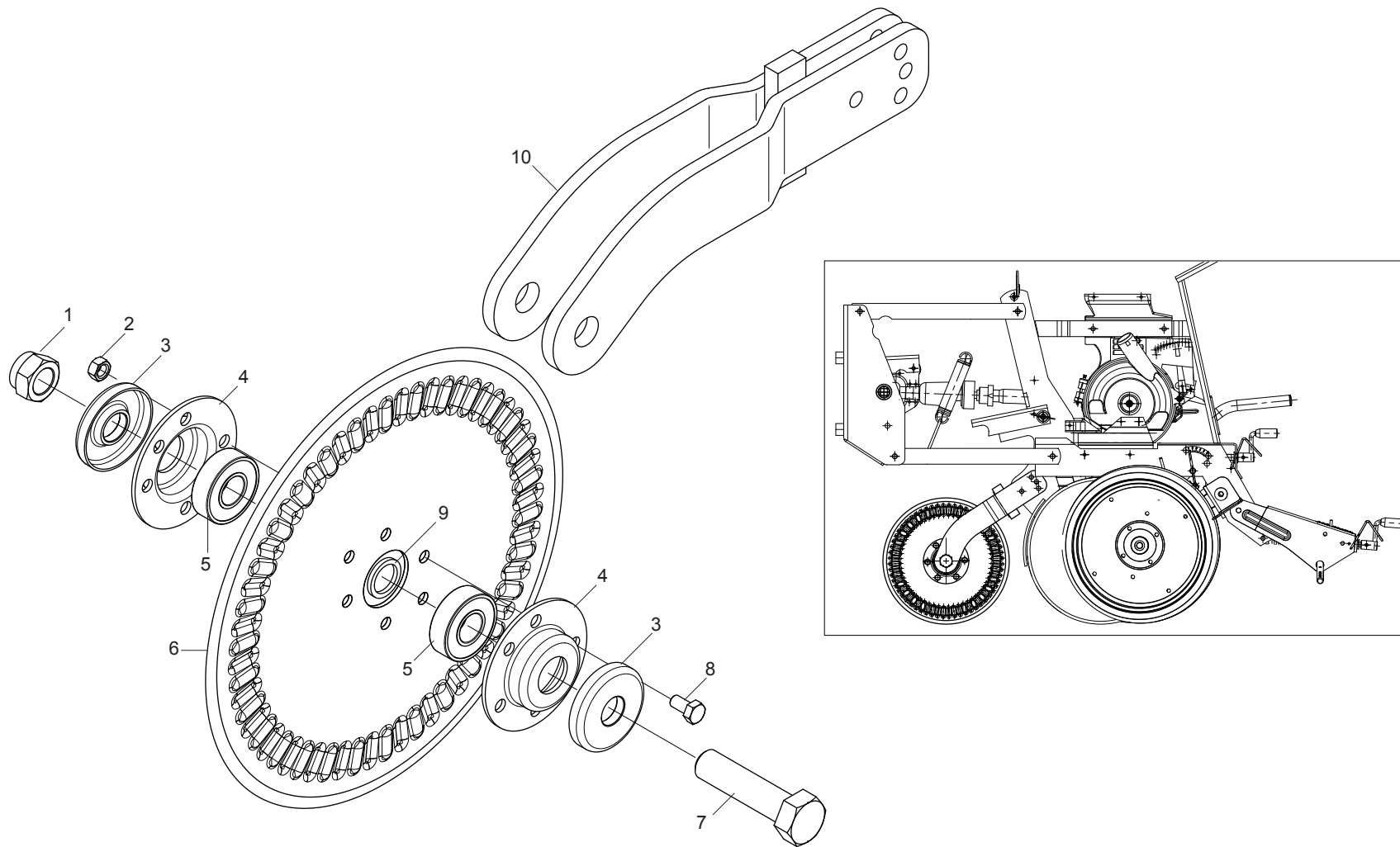
Pos.	Cod.	Descrizione	Description	Description	Benennung	Descripcion
1	15224182	SUPPORTO COPRISEME	SEED COVER SUPPORT	SUPPORT COUVRE-GRAINES	SAMENABDECKERHALTERUNG	SOPORTE CUBRESEMILLAS
2	15224461	COPRISEME SX	LEFT SEED COVER	COUVRE-GRAINES GCH.	SAMENABDECKER LINKS	CUBRESEMILLA IZQ.
3	15224451	COPRISEME DX	RIGHT SEED COVER	COUVRE-GRAINES DRT.	SAMENABDECKER RECHTS	CUBRESEMILLA DER.
4	15224430	SCORRIMOLLA	SPRING RUNNER	MAIN COURANTE	GLEITFEDER	DISP. DESLIZ. MUELLE
5	15224440	RONDELLA 6X28X2,5 ASOLATA	SLOT WASHER 6X28X2,5	RONDELLE A BOUTON.6X28X2,5	TSSENSCHEIBE 6X28X2,5	ARANDELA DE OJETE 6X28X2,5
6	18904220	MOLLA COPRISEME	SEED COVERING TINE	RESSORT COUVRE-GRAINES	SAMENABDECKFEDER	MUELLE CUBRESEMILLAS
7	20980050	BOCCOLA 15X7X8,5 ZN	BUSHING 15X7X8-5 ZN	BOITE 15X7X8-5 ZN	BsCHSE 15X7X8-5 ZN	CASQUILLO 15X7X8-5 ZN
8	20980022	BOCCOLA 18X10,25X7	BUSHING 18X10-25X7	BOITE 18X10-25X7	BsCHSE 18X10-25X7	CASQUILLO 18X10-25X7
9	F01420060	ROND.PIANA 11X30X2,5 6593 ZN	FLAT WASHER 11X30X2-5 6593 ZN	ROND.PLATE 11X30X2-5 6593 ZN	SCHEIBE 11X30X2-5 6593 ZN	ARAND. PLANA 11X30X2-5 6593 ZN
10	F01020118	VITE 10X60 5737 8.G ZN	BOLT 10X60 5737 8.G GALVANIZED	VIS 10X60 5737 8.G ZN	SCHRAUBE 10X60 5737 8.G ZN	TORNILLO 10X60 5737 8.G ZN
11	F01020077	VITE 8 X60 5737 8.G ZN	BOLT 8 X60 5737 8.G GALVANIZED	VIS 8 X60 5737 8.G ZN	SCHRAUBE 8 X60 5737 8.G ZN	TORNILLO 8 X60 5737 8.G ZN
12	F01410051	RONDELLA D8 UNI 6592 ZN	WASHER D8 UNI 6592 GALVANIZED	RONDELLE D8 UNI 6592 ZN	UNTERLEGSCHIEBE D8 UNI 6592 ZN	ARANDELA D8 UNI 6592 ZN
13	F01230034	DADO AUTOB.NOR.8 ZN	NORMAL SELF-LOCKING NUT 8 GALV	ECROU AUTOB. NOR. 8 ZN	SELBSTSP. MUTTER NOR. 8 ZN	TUERCA AUTOB. NOR. 8 ZN
14	F01020470	VITE 10X20 5739 8.G ZN	BOLT 10X20 5739 8.G GALVANIZED	VIS 10X20 5739 8.G ZN	SCHRAUBE 10X20 5739 8.G ZN	TORNILLO 10X20 5739 8.G ZN
15	F01220233	DADO TRISTOP M10	NUT TRISTOP M10	ECROU TRISTOP M10	MUTTER TRISTOP M10	TUERCA TRISTOP M10
16	15223920	FERMO MOLLA SX	LEFT SPRING STOP	ARRET RESSORT GCH.	FESTSTELLVORRICHTUNG FEDER LI.	BLOQUEO MUELLE IZQ.
17	20980081	BOCCOLA 25X12X16,25	BUSHING 25X12X16-25	BOITE 25X12X16-25	BsCHSE 25X12X16-25	CASQUILLO 25X12X16-25
18	F01020436	VITE 8 X20 5739 8.G ZN	BOLT 8X20 5739 8.G GALVANIZED	VIS 8X20 5739 8.G ZN	SCHRAUBE 8X20 5739 8.G ZN	TORNILLO 8X20 5739 8.G ZN
19	15223900	PERNO AGGANCIO MOLLA	SPRING HOOK PIN	PIVOT FIXATION RESSORT	ZAPFEN FEDERKUPPLUNG	PERNO ENGANCHE MUELLE
20	18902920	MOLLA COPRISEME SX SP	LEFT SEED COVER SPRING SP	RESSORT COUVRE-GRAINE GCH SP	FEDER SAMENABDECKER LI SP	MUELLE CUBRESEMILLAS IZQ SP
21	F01420048	ROND.PIANA 9X 24X2 6593 ZN	FLAT WASHER 9X 24X2 6593 GALV.	ROND. PLATE 9X 24X2 6593 ZN	SCHEIBE 9X 24X2 6593 ZN	ARAND. PLANA 9X 24X2 6593 ZN
22	F01020072	VITE 8 X50 5737 8.G ZN	BOLT 8 X50 5737 8.G GALVANIZED	VIS 8 X50 5737 8.G ZN	SCHRAUBE 8 X50 5737 8.G ZN	TORNILLO 8 X50 5737 8.G ZN
23	22220059	COPRISEME SINISTRO	LEFT CORN SEED COVER	COUVRE-GRAINES GCH.	SAMENABDECKER LINKS	CUBRESEMILLA IZQUIERDO
24	F06220012	VOLANTINO M12X100	HANDWHEEL M12X100	VOLANT M12X100	HANDRAD M12X100	VOLANTE M12X100
25	22220060	COPRISEME DESTRO	RIGHT SEED COVER	COUVRE-GRAINES DRT.	SAMENABDECKER RECHTS	CUBRESEMILLA DERECHO
26	F01220222	DADO TRISTOP M 8	NUT- TRISTOP M 8	ECROU TRISTOP M 8	MUTTER TRISTOP M 8	TUERCA TRISTOP M 8
27	15223910	FERMO MOLLA DX	RIGHT SPRING STOP	ARRET RESSORT DRT.	FESTSTELLVORRICHTUNG FEDER RE.	BLOQUEO MUELLE DER.
28	18902660	MOLLA SPEC.ZN FERMO SV MINI	SPEC. GALV. SPRING STOP SV MIN	RESSORT SPEC. ZN ARRET SV MINI	SPEZ.FEDER ZN FESTSTELL-VOR. S	MUELLE SPEC.ZN BLOQUEO SV MIN
29	18902910	MOLLA COPRISEME DX SP	RIGHT SEED COVER SPRING SP	RESSORT COUVRE-GRAINE DRT SP	FEDER SAMENABDECKER RE SP	MUELLE CUBRESEMILLAS DER SP
30	F02100087	SPINA EL.5 X30 DIN 1481	PIN EL. 5 X30 DIN 1481	FICHE EL. 5 X30 DIN 1481	SPANNSTIFT 5 X30 DIN 1481	CLAVIJA EL.5 X30 DIN 1481
31	F02200363	COPIGLIA R 3X62	SPLIT PIN R 3X62	GOUPILLE R 3X62	SPLINT R 3X62	CHAVETAR 3X62



# RUOTA COMPRESSIONE FARMFLEX Ø370 (CON COPRISEME ANTERIORE)

TAV. 52/340

Pos.	Cod.	Descrizione	Description	Description	Benennung	Descripcion
1	F01020172	VITE 12X110 5737 8.G ZN	BOLT 12X110 5737 8.G GALVANIZ.	VIS 12X110 5737 8.G ZN	SCHRAUBE 12X110 5737 8.G ZN	TORNILLO 12X110 5737 8.G ZN
2	15224290	MONT.SUPPORTO COPRISEME	SEED COVERING WHEEL SUPPORT PO	MONT.SUPPORT RECOUVRE-GRAINES	MONT.ZUSTREIFERHALTERUNG	MONT.SOPORTE CUBRESEMILLA
3	F01200270	DADO 10 5588 6.8 ZN	SCREW 10 UNI 5588 6.8 GALVANIZ	ECROU 10 UNI 5588 6.8 ZN	MUTTER 10 UNI 5588 6.8 ZN	TUERCA 10 UNI 5588 6.8 ZN
4	F01220233	DADO TRISTOP M10	NUT TRISTOP M10	ECROU TRISTOP M10	MUTTER TRISTOP M10	TUERCA TRISTOP M10
5	F01220244	DADO TRISTOP M12	NUT- TRISTOP M12	ECROU TRISTOP M12	MUTTER TRISTOP M12	TUERCA TRISTOP M12
6	F01020470	VITE 10X20 5739 8.G ZN	BOLT 10X20 5739 8.G GALVANIZED	VIS 10X20 5739 8.G ZN	SCHRAUBE 10X20 5739 8.G ZN	TORNILLO 10X20 5739 8.G ZN
7	18902670	MOLLA TRAZ.ZN PRESS.SV-MINI	GALV. PRESS. SV-MINI TRACT.SPR	RESSORT TRACT.ZN PRESS.SV-MINI	ZUGFEDER ZN DRUCK SV - MINI	MUELLE TRACC.ZN PRES.SV-MINI
8	F01020445	VITE 8 X30 5739 8.G ZN	BOLT 8X30 5739 8.G GALVANIZED	VIS 8X30 5739 8.G ZN	SCHRAUBE 8X30 5739 8.G ZN	TORNILLO 8X30 5739 8.G ZN
9	15224240	STAFFA REGOLAZ.MOLLA	SPRING ADJUSTMENT BRACKET	BRIDE REGLAGE RESSORT	BsGEL FEDEREINSTELLUNG	ESTRIBO REGULAC.MUELLE
10	15224230	SUPPORTO RUOTA FARMFLEX	WHEEL SUPPORT FARMFLEX	SUPPORT ROUE FARMFLEX	RADHALTERUNG FARMFLEX	SOPORTE RUEDA FARMFLEX
11	F01200244	DADO 8 5588 6.8 ZN	NUT 8 UNI 5588 6.8 GALVANIZED	ECROU 8 UNI 5588 6.8 ZN	MUTTER 8 UNI 5588 6.8 ZN	TUERCA 8 UNI 5588 6.8 ZN
12	F01020472	VITE 10X25 5739 8.G ZN	BOLT 10X25 5739 8.G GALVANIZED	VIS 10X25 5739 8.G ZN	SCHRAUBE 10X25 5739 8.G ZN	TORNILLO 10X25 5739 8.G ZN
13	18701140	RONDELLA 11 X35 X5	WASHER 11 X 35 X 5	RONDELLE 11 X35 X5	UNTERLEGSSCHEIBE 11 X35 X5	ARANDELA 11 X35 X5
14	14821590	RUOTA FARMFLEX 370X165 PROF.A	FARMFLEX WHEEL 370X165 DEPTH.A	ROUE FARMFLEX 370X165 PROF.A	RAD FARMFLEX 370X165PROF.A	RUEDA FARMFLEX
15	65336004	MOLLA SPEC.ZN AGG.SEMINAT. SP	SPEC SPRING- ZN ADD. SEEDER SP	RESSORT SPEC. ZN ATTELAGE SEME	SPEZIALFEDER ZN SZELEM. KUPPL.	MUELLE ESPEC. ZN CONEX. SEMBRA
16	15224260	CATENAL.122	CHAIN L.122	CHAINE L.122	KETTE L.122	CADENA L.122
17	65337005	MOLLA TRAZ.CAMBIO SV	TRACTION COUPLING SPRING- GEAR	RESSORT TRACT.BOXE DE VITESSE	ZUGFEDER GETRIEBE SV	MUELLE TRAC. CAMBIO SV
18	15224250	FERMO MOLLA	SPRING STOP	ARRET RESSORT	FESTSTELLVORRICHTUNG FEDER	BLOQUEO MUELLE
19	20970012	RONDELLA 32X4X11	WASHER 32X4X11	RONDELLE 32X4X11	UNTERLEGSSCHEIBE 32X4X11	ARANDELA 32X4X11
20	15224280	COPRISEME SX	LEFT CORN SEED COVER	COUVRE-GRAINES GCH.	SAMENABDECKER LINKS	CUBRESEMILLA IZQUIERDO
21	20980022	BOCCOLA 18X10,25X7	BUSHING 18X10-25X7	BOITE 18X10-25X7	BsCHSE 18X10-25X7	CASQUILLO 18X10-25X7
22	15224180	SUPPORTO COPRISEME	SEED COVER SUPPORT	SUPPORT COUVRE-GRAINES	SAMENABDECKERHALTERUNG	SOPORTE CUBRESEMILLAS
23	15224270	COPRISEME DX	RIGHT SEED COVER	COUVRE-GRAINES DRT.	SAMENABDECKER RECHTS	CUBRESEMILLA DERECHO
24	F01020118	VITE 10X60 5737 8.G ZN	BOLT 10X60 5737 8.G GALVANIZED	VIS 10X60 5737 8.G ZN	SCHRAUBE 10X60 5737 8.G ZN	TORNILLO 10X60 5737 8.G ZN
25	15224300	RUOTA FARMFLEX COMPL	WHEEL- FARMFLEX	ROUE FARMFLEX COMPL.	RAD FARMFLEX KOMPL.	RUEDA FARMFLEX COMPL.

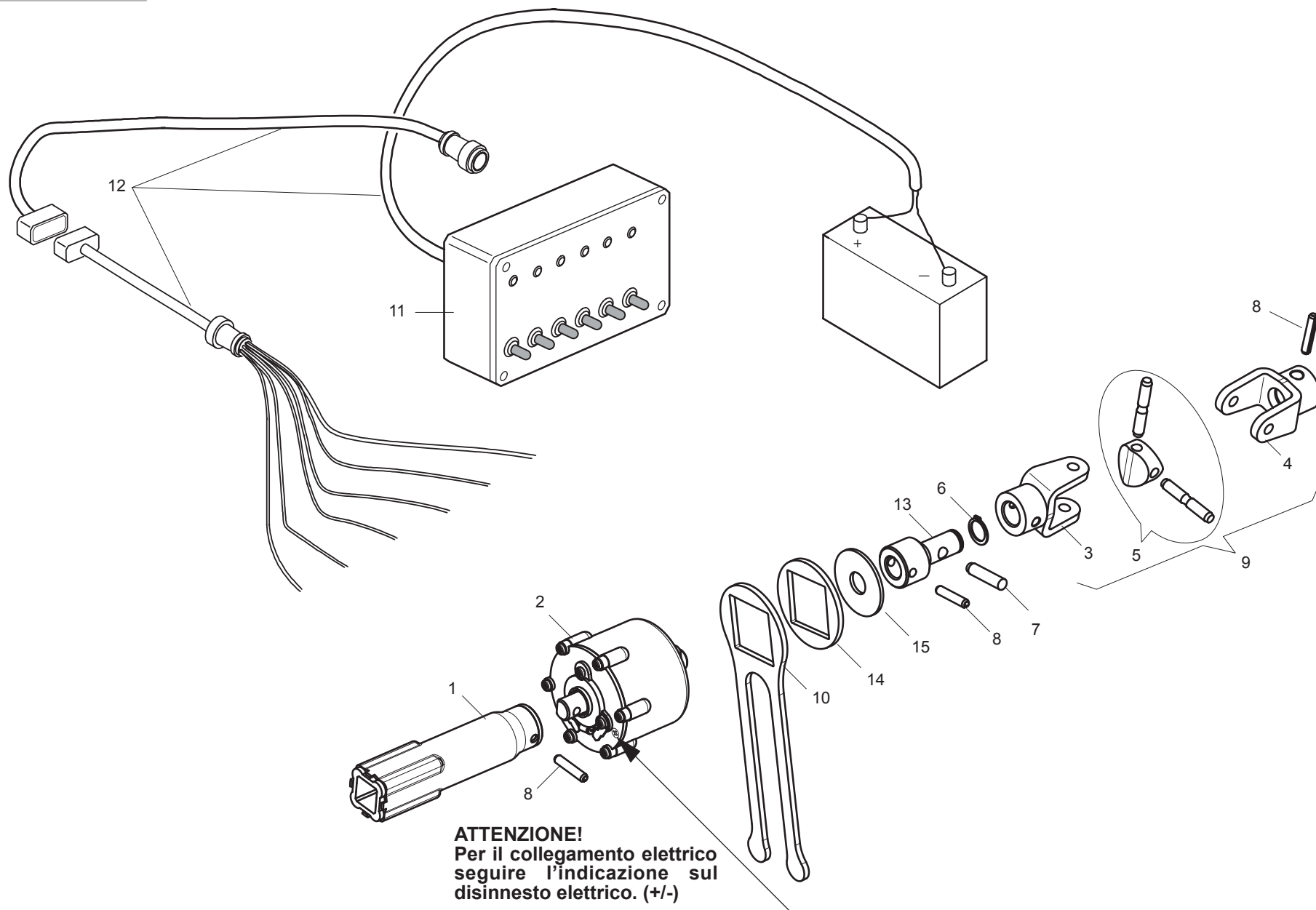




## COLTRO A DISCO STRIATO

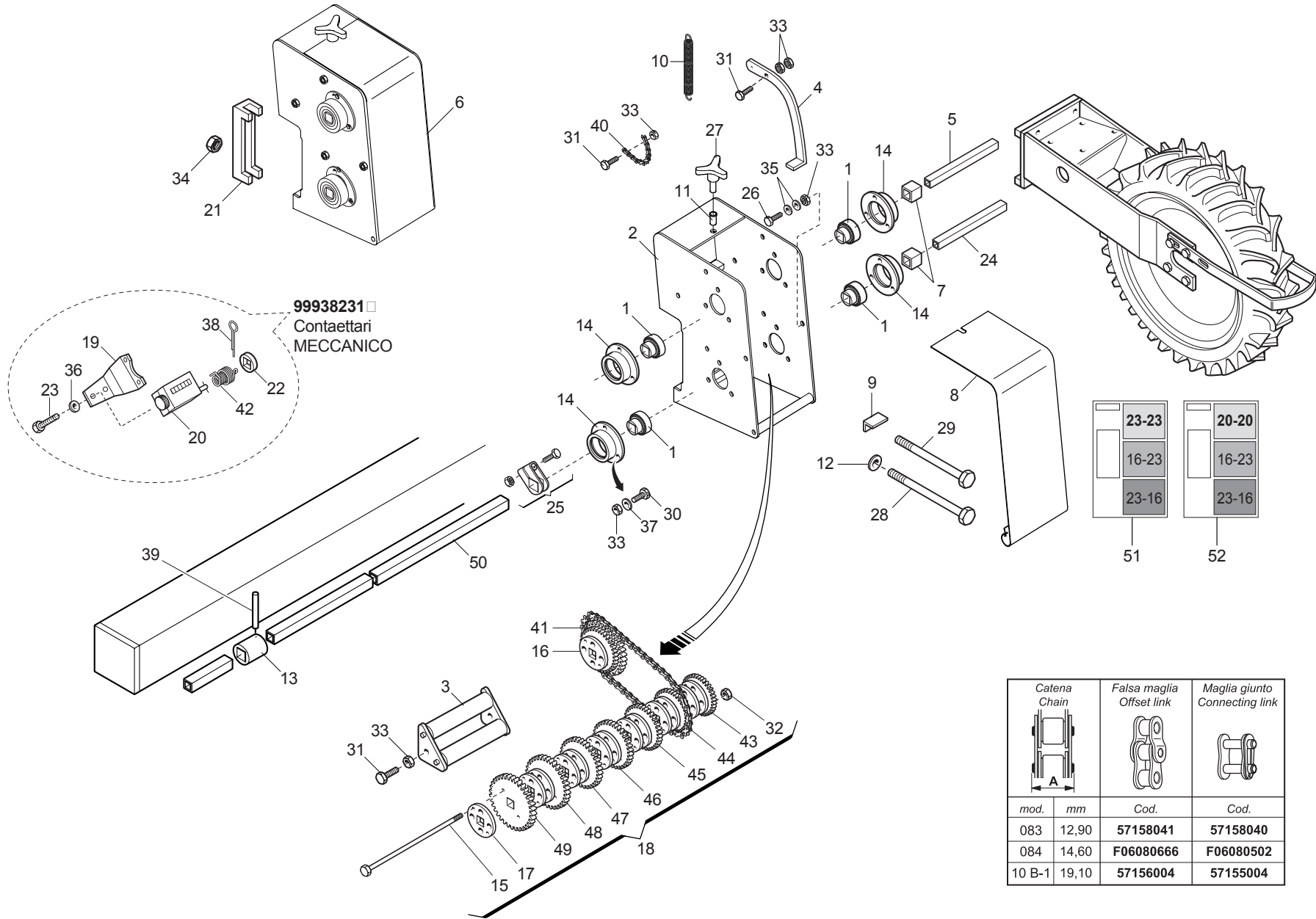
TAV. 52/420

Pos.	Cod.	Descrizione	Description	Description	Benennung	Descripcion
1	F01230131	DADO AUTOB.NOR.20 ZN	NORMAL SELF-LOCKING NUT 20 GAL	ECROU AUTOB. NOR. 20 ZN	MUTTER AUTOB.NOR.20 ZN	TUERCA AUTOB. NOR.20 ZN
2	F01220222	DADO TRISTOP M 8	NUT- TRISTOP M 8	ECROU TRISTOP M 8	MUTTER TRISTOP M 8	TUERCA TRISTOP M 8
3	19203730	FONDELLO ZN	GALVAN. HOLDER	FOND ZN	BODENSCHIEBE ZN	FONDO ZN
4	15226210	FLANGIA SUPP.CUSCINETTO	BEARING SUPP. FLANGE	BRIDE SUPPORT PALIER	FLANSCH LAGERHALTERUNG	BRIDA SOPORTE COJINETE
5	F04010164	CUSCINETTO 6204 2RS	BEARING 6204 2RS	ROULEMENT 6204 2RS	LAGER 6204 2RS	COJINETE 6204 2RS
6	15226041	DISCO STRIATO D.320	DISK D.320	DISQUE D.320	SCHEIBE D.320	DISCO D.320
7	F01020325	VITE 20X90 5737 10.9 ZN	BOLT 20X90 5737 10.9G GALVANI	VIS 20X90 5737 10.9G ZN	SCHRAUBE 20X90 5737 10.9G ZN	TORNILLO 20X90 5737 10.9G ZN
8	F01020436	VITE 8 X20 5739 8.G ZN	BOLT 8X20 5739 8.G GALVANIZED	VIS 8X20 5739 8.G ZN	SCHRAUBE 8X20 5739 8.G ZN	TORNILLO 8X20 5739 8.G ZN
9	20970100	RONDELLA 30X0,5X22 ACC.	WASHER 30X0-5X22 ACC.	RONDELLE 30X0-5X22 ACIER	UNTERLEGSCHIEBE 30X0-5X22 ACC.	ARANDELA 30X0-5X22 ACC.
10	15226011	SUPPORTO DISCO STRIATO	DISC COULTER SUPPORT	SUPPORT COUTRE DISQUE	KOLTERSCHIEBEHALTERUNG	SOPORTE CUCHILLA DE ARADO DISC
11	15226220	KIT COLTRO DISCO STRIATO 6F.	DISC COULTER KIT	KIT COUTRE DISQUE	KOLTERSCHIEBEKIT	KIT CUCHILLA DE ARADO DISCO



**ESCLUSIONE ELETTRICA FILE DI SEMINA**
**TAV. 52/351**

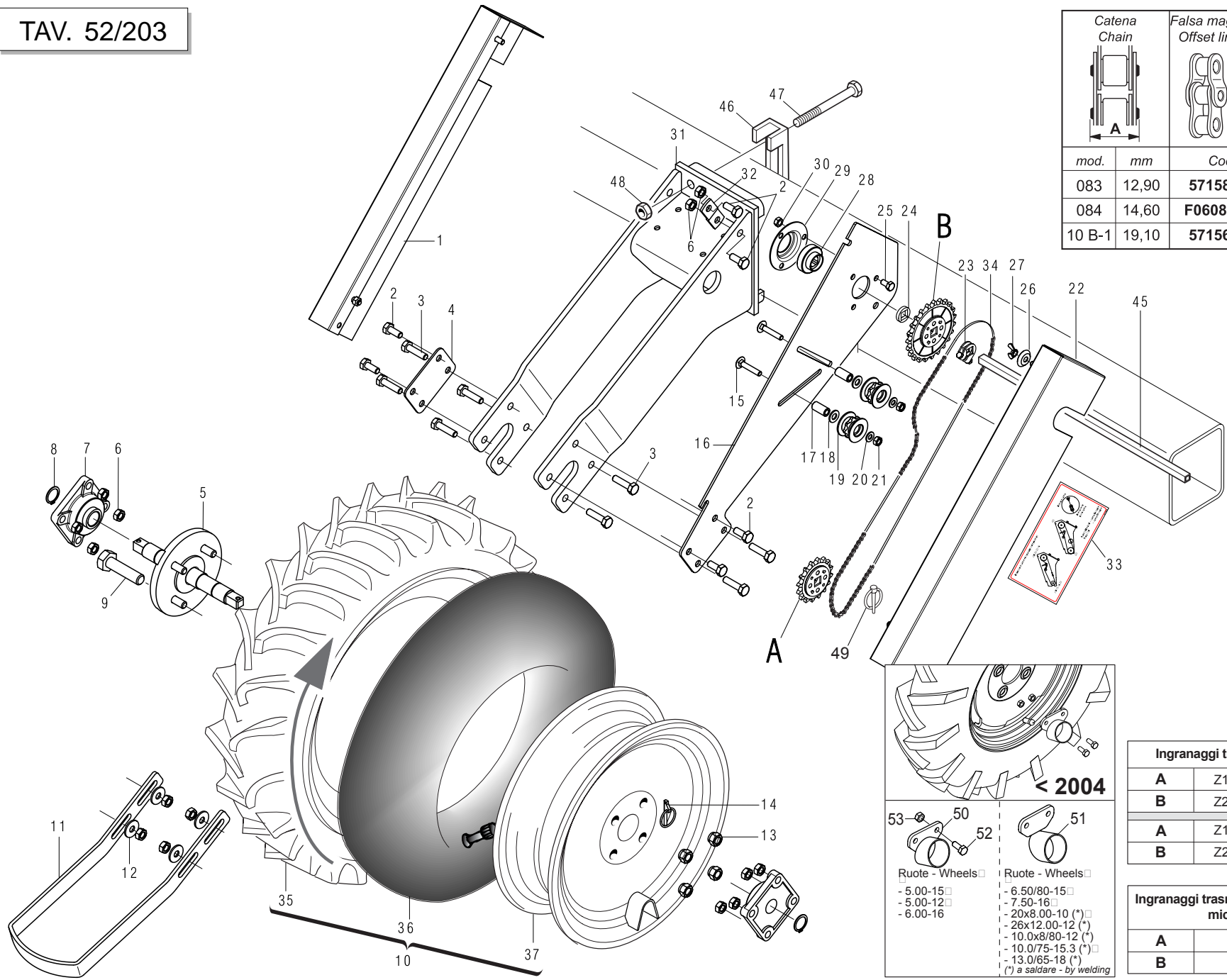
Pos.	Cod.	Descrizione	Description	Description	Benennung	Descripcion
1	15225321	INNESTO ESCLUSIONE ELETTR.MT	ELECTRIC DISABLE CONNECTION MT	ACCOUPL. EXCL.+LECTRIQUE MT	STECKVORRICHT.ELEKT.AUSSCHALTU	CONECTOR DESC.EL+CTRICA MT
2	16033700	DISINNESTO ELETTRICO 180 COMPL	COMPL. ELECTRIC RELEASE 180	D+BRAYAGE +LECTRIQUE 180 COMPL	ELEKTRISCHE ENTKUPPLUNG 180 KO	DESCONEXIËN EL+CTRICA 180 COMP
3	14821521	FORCELLA	FORK	FOURCHETTE	GABEL	HORQUILLA
4	15424060	FORCELLA ESCLUSIONE ELETTR.	FORK ELECTRIC DISABLE	FOURCHETTE EXCL. +LECTRIQUE	STAFEL ELEKT.AUSSCHALTU	HORQUILLA DESC.EL+CTRICA
5	22270454	CROCIERA COMPL. SP/S	SPIDER SP/S	CROSILLON COMPL CARDAN TRANSM	GELENKKREUZ KOMPL. SP/S	CRUCETA COMPL. SP/S
6	F02050606	ANELLO ARR.16 UNI 7435-75	STOP RING 16 UNI 7435-75	BAGUE ARRET 16 UNI 7435-75	RING 16 UNI 7435-75	ANILLO PARADA 16 UNI 7435-75
7	66248057	SPINA DI SICUREZZA SP	SAFETY PIN SP	BROCHE PLASTIC SECURITE CARDAN	SICHERHEITSTIFT SP	CLAVIJA DE SEGURIDAD SP
8	F02100114	SPINA EL.6 X30 DIN 1481	PIN EL. 6 X30 DIN 1481	FICHE EL. 6 X30 DIN 1481	SPANNSTIFT 6 X30 DIN 1481	CLAVIJA EL.6 X30 DIN 1481
9	15423980	FORCELLE SNODO ESCL.ELET.COMPL	FORK ELECTRIC DISABLE COMPLET	FOURCHETTE EXCL. +LECTR. COMPL	STAFEL ELEKT.AUSSCHALTU KOMPL.	HORQUILLA DESC.EL+CTRICA COMPL
10	16033750	FERMO DISINNESTO ELETTRICO ZN	UNCOUPLING ELECTRIC STOP	ARRET DEBRAYAGE +LECT.	FESTSTELL. AUSKUPPLUNG EL.	BLOQUEO DESCONEXIN EL.
11	F05010051	CENTRALINA 6F CON SPINA	CONTROL BLOCK	BOITIER	ANLAGE	CENTRALINA
12	F05010203	CABLAGGIO 6 F.L.3000	WIRING 6 F.L.3000	C-BLAGE 6 F.L.3000	VERKABELUNG 6 F.L.3000	CABLEADO 6 F.L.3000
12	F05010204	CABLAGGIO 6 F.L.5000	WIRING 6 F.L.5000	C-BLAGE 6 F.L.5000	VERKABELUNG 6 F.L.5000	CABLEADO 6 F.L.5000
13	16033730	ADATTATORE CROCIERA	SPIDER ADAPTOR	ADAPTATEUR CROISIERE	PASSST_CK GELENKKREUZ	ADAPTADOR CRUCETA
14	16033740	DISTANZIALE DISINNESTO ELET.ZN	UNCOUPLING ELECTRIC SPACER	ENTRETOISE DEBRAYAGE +LECT.	DISTANZST_CK AUSKUPPLUNG EL.	DISTANCIADOR DESCONEXIN EL.
15	18701970	RONDELLA 16X48X2,5	WASHER 16X48X2,5	RONDELLE 16X48X2,5	UNTERLEGSCHIEBE 16X48X2,5	ARANDELA 16X48X2,5



**CAMBIO**

TAV. 52/192

Pos.	Cod.	Descrizione	Description	Description	Benennung	Descripcion
1	14830390	CUSCINETTO FORO QUADRO	SQUARE-HOLED BEARING	ROULEMENT AL+SAGE CARR+	VIERKANTLAGER	COJINETE OFICIO CUADRADO
2	16630020	SCATOLA CAMBIO Q.150	GEARBOX 150	BOITE DE VITESSE 150	GETRIEBEKASTEN 150	CAJA DE CAMBIO DE VELOCIDAD 15
3	15430321	RULLO TENDICATENA	CHAIN STRETCHER ROLLER	ROULEAU TENDEUR DE CHAINE	KETTENSANNROLLE	RODILLO TENSOR DE CADENA
4	15430331	LEVA CAMBIO	GEAR LEVER	LEVIER BOITE DE VITESSE	GETRIEBEBEBEL	PALANCA DE CAMBIO
5	15430340	ASSE INGRANAGGI L.155	GEAR SPINDLE L.155	AXE ENGRENAGES L.155	ACHSE ZAHNRZDER L.122	EJE ENGRANAJES L.155
6	16630010	SCATOLA CAMBIO Q.150 COMPL.	GEARBOX 150	BOITE DE VITESSE 150	GETRIEBEKASTEN 150	CAJA DE CAMBIO DE VELOCIDAD 15
7	15430501	DISTANZIALE INTERNO CAMBIO	GEARBOX INNER SPACER	ENTRETOISE INT. BOITE VITESSE	INNERES DISTANZSTÖCK GETRIEBE	DISTANCIADOR INTERIOR CAMBIO
8	15430711	COPERCHIO CAMBIO	GEAR COVER	COUVERCLE BOITE DE VITESSE	GETRIEBEDECKEL	TAPA CAMBIO
9	15431020	FERMO VITE CAMBIO	GEAR SCREW STOP	ARRET VIS BOITE DE VITESSE	FESTSTELLVORRICH. GETRIEBESCHR	BLOQUEO TORNILLO
10	18902970	MOLLA TRAZ. CAMBIO ZN SP	GALVAN. GEAR TRACT. SPRING SP	RESS. TRACT. BOITE VITESSE ZN	ZUGFEDER GETRIEBE ZN SP	MUELLE TRAC. CAMBIO ZN SP
11	F02250683	DADO CILINDRICO 8 TC 40	CYLINDRICAL NUT 8 TC 40	ECROU CILINDRIQUE 8 TC 40	ZYLINDRISCHE MUTTER 8 TC 40	TUERCA CILINDRICA 8 TC 40
12	20970142	RONDELLA 32X4X15,5	WASHER 32X4X15-5	RONDELLE 32X4X15-5	UNTERLEGSCHIEBE 32X4X15-5	ARANDELA 32X4X15-5
13	22220085	SNODO	ARTICULATION	ARTICULATION	GELENK	ARTICULACION A
14	22230094	SUPPORTO CUSCINETTO	BEARING SUPPORT	SUPPORT PALIER	LAGERBÖHSE	SOPORTE COJINETE
15	19203260	VITE M5X115 ZN	BOLT M5X115 ZN	VIS M5X115 ZN	SCHRAUBE M5X115 ZN	TORNILLO M5X115 ZN
16	22270152	INGR. Z 16-23 RUOTA-CAMBIO SP	WHEEL- GEARBOX GEARS SP	ENGR. Z 16-23 ROUE BOITE VIT.	ZAHNRAD Z 16-23 GETRIEBERAD SP	ENGRAN. Z 16-23 RUEDA-CAMBIO
17	22270162	RINFORZO INGR.ASSE DA 20 SP	AXLE GEAR REINFORCEMENT 20 SP	RENFORC. ENGRN. AXE DE 20 SP	VERSTÄRKUNG ACHSZAHNRAD 20 SP	REFUERZO ENGRAN. EJE DE 20 SP
18	22270163	BLOCCO CAMBIO ASSE DA 20 SP	20 CM SPINDLE GEARBOX SP	ENSEMBLE BOITE DE VITESSE	GETRIEBEBLOCK ACHSE 20 SP	BLOQUE CAMBIO EJE DE 20 SP
19	22270217	SUPP.CONTAETT. CAMB.35 SP LM	HECTARE COUNTER GEAR SUPPORT 3	SUPPORT COMPT. D'HECT. B. VIT.	HALT. GETRIEBE HEKTARZÄHLER 35	SOPORTE CONTADOR HECT. CAMB.35
20	22270218	CONTAETTARI TEN. STAG. SP LM	HECTARE COUNTER SEAL SP LM	COMPT. D'HECT. ETANCHE SP LM	HEKTARZÄHLER DICHT SP LM	CUENTA HECTAREAS ESTANCO
21	15110091	SCONTRO A U	STRIKER	BRIDE 150 MM	ANSCHLAG	ELEMENTO DE EMPALME
22	66248218	RONDELLA DISTAN.SPAND.	MAN. SPR. SPACER WASHER	RONDELLE ENTRETOISE EP. ENGRAI	ABSTANDSCHEIBE DsNGERSTREUER	ARANDELA DISTAN.ABONAD.
23	F01040025	VITE 4 X10 5931 8.G ZN	BOLT 4 X10 5931 8.G GALVANIZ.	VIS 4 X10 5931 8.G ZN	SCHRAUBE 4 X10 5931 8.G ZN	TORNILLO 4 X10 5931 8.G ZN
24	22500171	MANICOTTO L.175	SLEEVE L.175	MANCHON L.175	MUFFE L.175	MANGUITO L.175
25	22505085	FERMO ASSE IN LAMIERA	PLATE AXLE STOP	ARRET AXE EN TOLE	FESTSTELLVORRICHTUNG BLECHACHS	BLOQUEO EJE DE CHAPA
26	F01060040	VITE 8 X20 5732 4.6 ZN	BOLT 8 X20 5732 4.6 GALVANIZED	VIS 8 X20 5732 4.6 ZN	SCHRAUBE 8 X20 5732 4.6 ZN	TORNILLO 8 X20 5732 4.6 ZN
27	F06220018	VOLANTINO 3LOBI D.65-M8X15	3-LOBE HANDWHEEL D.65-M8X15	VOLANT 3 LOBES D.65-M8X15	HANDRAD 3 BÜCKEL D.65-M8X15	VOLANTE 3 LOBI D.65-M8X15
28	41601101	VITE 14 X160 5737 8.G	BOLT M 14 X160 5737 8.G	VIS M 14 X160 5737 8.G	SCHRAUBE M 14 X160 5737 8.G	TORNILLO M 14 X160 5737 8.G
29	F01020232	VITE 14X200 5737 8.G ZN	BOLT 14X200 5737 8.G GALVANIZ.	VIS 14X200 5737 8.G ZN	SCHRAUBE 14X200 5737 8.G ZN	TORNILLO 14X200 5737 8.G ZN
30	F01020432	VITE 8 X16 5739 8.G ZN	BOLT 8X16 5739 8.G GALVANIZED	VIS 8X16 5739 8.G ZN	SCHRAUBE 8X16 5739 8.G ZN	TORNILLO 8X16 5739 8.G ZN
31	F01020449	VITE 8 X35 5739 8.G ZN	BOLT 8X35 5739 8.G GALVANIZED	VIS 8X35 5739 8.G ZN	SCHRAUBE 8X35 5739 8.G ZN	TORNILLO 8X35 5739 8.G ZN
32	F01200220	DADO 5 5588 6.8 ZN	NUT 5 UNI 5588 6.8 GALVANIZED	ECROU 5 UNI 5588 6.8 ZN	MUTTER 5 UNI 5588 6.8 ZN	TUERCA 5 UNI 5588 6.8 ZN
33	F01200244	DADO 8 5588 6.8 ZN	NUT 8 UNI 5588 6.8 GALVANIZED	ECROU 8 UNI 5588 6.8 ZN	MUTTER 8 UNI 5588 6.8 ZN	TUERCA 8 UNI 5588 6.8 ZN
34	F01200306	DADO 14 5588 6.8 ZN	NUT 14 UNI 5588 6.8 GALVANIZED	ECROU 14 UNI 5588 6.8 ZN	MUTTER 14 UNI 5588 6.8 ZN	TUERCA 14 UNI 5588 6.8 ZN
35	F01410051	RONDELLA D8 UNI 6592 ZN	WASHER D8 UNI 6592 GALVANIZED	RONDELLE D8 UNI 6592 ZN	UNTERLEGSCHIEBE D8 UNI 6592 ZN	ARANDELA D8 UNI 6592 ZN
36	F01410011	RONDELLA D4 UNI 6592 ZN	WASHER D4 UNI 6592 ZN	RONDELLE D4 UNI 6592 ZN	UNTERLEGSCHIEBE D4 UNI 6592 ZN	ARANDELA D4 UNI 6592 ZN
37	F01430059	RONDELLA D8 DIN 6798 D.INT.ZN	WASHER D8 DIN 6798 D.INT.ZN	RONDELLE D8 DIN 6798 D. INT. Z	UNT. SCHEIBE D8 DIN 6798 D. IN	ARANDELA D8 DIN 6798 D.INT.ZN
38	F02200228	COPIGLIA 5 X35 1336 ZN	SPLIT PIN 5 X35 1336 GALVAN.	GOUVILLE 5 X35 1336 ZN	SPINT 5 X35 1336 ZN	PASADOR 5 X35 1336 ZN
39	F02100087	SPINA EL.5 X30 DIN 1481	PIN EL. 5 X30 DIN 1481	FICHE_EL. 5 X30 DIN 1481	SPANNSTIFT 5 X30 DIN 1481	CLAVIJA EL.5 X30 DIN 1481
40	F06080008	SP.CAT.1/2-3/16 16 MAGLIE	CHAIN SECTION 1/2-3/16 16 MES	TRONÇON CHA+NE 1/2-3/16 16 MAI	KET.ABSCHN.1/2-3/16 16 GLIEDER	TRAMO CAD.1/2-3/16 16 ESLABONE
41	F06080230	SP.EZ.CAT.ISO 10B-1 46 MAGLIE	CUT-DOWN CHAIN .ISO 10B-1 46-L	TRONÇON CHAINE ISO 10B-1 46 MA	KETTENLÄNGE ISO 10B-1 46 GLIE	TRECHO CADENA ISO 10B-1 46 ESL
42	65336098	MOLLA CONTAETTARI CAMB.35 SP	HECT. COUNT. GEAR SPRING 35 SP	RESS. COMPTEUR D'HECTARES CH	FEDER HEKTARZÄHLER GETRIEBE.35	MUELLE CONTADOR DE HECTAREAS C
43	66248162	INGRANAGGIO Z-17 SP	GEAR Z-17 SP	ENGRNAGE Z-17 SP	ZÄHNRAD Z-17 SP	ENGRANAJE Z-17 SP
44	66248163	INGRANAGGIO Z-18 SP	GEAR Z-18 SP	ENGRNAGE Z-18 SP	ZÄHNRAD Z-18 SP	ENGRANAJE Z-18 SP
45	66248164	INGRANAGGIO Z-19 SP	GEAR Z-19 SP	ENGRNAGE Z-19 SP	ZÄHNRAD Z-19 SP	ENGRANAJE Z-19 SP
46	66248165	INGRANAGGIO Z-20 SP	GEAR Z-20 SP	ENGRNAGE Z-20 SP	ZÄHNRAD Z-20 SP	ENGRANAJE Z-20 SP
47	66248166	INGRANAGGIO Z-21 SP	GEAR Z-21 SP	ENGRNAGE Z-21 SP	ZÄHNRAD Z-21 SP	ENGRANAJE Z-21 SP
48	66248167	INGRANAGGIO Z-22 SP	GEAR Z-22 SP	ENGRNAGE Z-22 SP	ZÄHNRAD Z-22 SP	ENGRANAJE Z-22 SP
49	66248168	INGRANAGGIO Z-23 SP	GEAR Z-23 SP	ENGRNAGE Z-23 SP	ZÄHNRAD Z-23 SP	ENGRANAJE Z-23 SP
50	11430240	ASSE TRASMISSIONE L.430	TRANSMISSION AXLE L.430	AXE TRANSMISSION L430	sBERTRAGUNGSACHSE L.430	EJE TRANSMISIN L 430 A
50	13831520	ASSE TRASMISSIONE L.3000	TRANSMISSION AXLE L.3000	AXE TRANSMISSION L3000	sBERTRAGUNGSACHSE L.3000	EJE TRANSMISIN L 3000 A
50	20860090	ASSE SX 5F.60 L.1460	AXLE- LEFT 5-R.60 L.1460	AXE GCH. 5 RANGEES 60 L. 1460	ACHSE LI 5R.F.60 L.1460	EJE IZQ. 5 FILA. 60 L.1460
50	22220250	ASSE SX 6 FILE L.3500	AXLE LEFT 6-ROW L.3500	AXE GCH. 6 RANGEES L. 3500	ACHSE LINKS 6 REIHEN L.3500	EJE IZQ. 6 FILAS L.3500
50	22230141	ASSE SEMINAT.6F.CM.80 L.2000	AXLE- 6-ROW SEEDER MACH. 80 CM	AXE SEMEUR 6 RANGEES CM. 80 L.	ACHSE SZALEMENT 6 R.CM.80 L.2	EJE SEMBR. 6 FILAS. CM.80 L.20
50	22230142	ASSE 4 FILE L.800	4-ROW SPINDLE L.800	AXE 4 RANGEES L. 800	ACHSE 4 REIHEN B. 800	EJE 4 FILAS L.800
50	22250031	ASSE TRASM.SEMINAT.L.3200 SV	AXLE- SEEDING MACH. GEARBOX L.	AXE ENTRAINEMENT SEMEUR L.3200	ACHSE SZELEMENTANTRIEB .L.3200	EJE TRANS.SEMBR. L.3200 SV
50	13732200	ASSE TRASMISSIONE L.2485	TRANSMISSION AXLE L2485	AXE TRANSMISSION L.2485	sBERTRAGUNGSACHSE L.2485	EJE TRANSMISIN L 2485 A
50	22250275	ASSE TRASM.SEMINAT.L.2750 SV	AXLE- SEEDING MACH. GEARBOX L.	AXE ENTRAINEMENT SEMEUR L. 275	ACHSE SZELEMENTANTRIEB L.2750	EJE TRANS.SEMBR. L.2750 SV
50	22250276	ASSE TRASM.SEMINAT.L.2200 SV	AXLE- SEEDING MACH. GEARBOX L.	AXE ENTRAINEMENT SEMEUR L. 220	ACHSE SZELEMENT-ANTRIEB.L.2200	EJE TRANS.SEMBR. L.2200 SV
50	22280071	ASSE RUOTA-CAMBIO L.550 ID	GEARBOX WHEEL AXLE L. 550 ID	AXE ROUE BOITE DE VITESSE	RADACHSE-GETRIEBE L.550 ID	EJE RUEDA-CAMBIO L.550 ID
51	19701402	DECAL.CAMBIO RUOTA 5,00-15	GEARBOX WHEEL 5,00-15 STICKER	ETIQ. BOITE DE VIT. ROUE 5,00-	AUFKLEBER GETRIEBE RAD 5,00-15	CAL. CAMBIOVEL. RUEDA 5,00-15
51	19701412	DECAL.CAMBIO RUOTA 6,50-15	GEARBOX WHEEL 6,50-15 STICKER	ETIQ. BOITE DE VIT. ROUE 6,50-	AUFKLEBER GETRIEBE RAD 6,50-15	CAL. CAMBIOVEL. RUEDA 6,50-15
51	19701451	DECAL.CAMBIO RUOTA 7,50-16	GEARBOX WHEEL 7,50-16 STICKER	ETIQ. BOITE DE VIT. ROUE 7,50-	AUFKLEBER GETRIEBE RAD 7,50-16	CAL. CAMBIOVEL. RUEDA 7,50-16
51	19703161	DECAL.CAMBIO RUOTA 6,50-15 EST	GEARBOX WHEEL 6,50-15 STICKER	ETIQ. BOITE DE VIT. ROUE 6,50-	AUFKLEBER GETRIEBE RAD 6,50-15	CAL. CAMBIOVEL. RUEDA 6,50-15
52	19701401	DECALCOMANIA TABELLA CAMBIO SP	GEAR CHART STICKER SP	DECALC. TABLEAU BOITE DE V. SP	ABZIEHB. TABELLE GETR. SP	CALCOMANIA TABLA CAMBIO SP
52	19701411	DECAL.TAB.CAMB.SP RUOTA MAG.	GEAR CHART STICKER SP	DECALC. TABLEAU BOITE DE V. SP	ABZIEHB. TABELLE GETR. SP	CALCOMANIA TABLA CAMBIO SP
52	19701450	DECAL.CAMBIO RUOTA 7,50-16	GEARBOX WHEEL 7,50-16 STICKER	ETIQ. BOITE DE VIT. ROUE 7,50-	AUFKLEBER GETRIEBE RAD 7,50-16	CAL. CAMBIOVEL. RUEDA 7,50-16
52	19703160	DECAL.CAMBIO R 6.5 RUOTE EST.	R 6.5 OUT. WHEELS GEARBOX TRAN	DECALC. BOITE DE VITESSE R 6.5	AUFKLEBER GETRIEBE R 6.5 ÄUSSE	ETIQUETA ADHES. CAMBIO R 6.5 R



Catena Chain		Falsa maglia Offset link		Maglia giunto Connecting link	
mod.	mm	Cod.	Cod.	Cod.	Cod.
083	12,90	57158041	57158040		
084	14,60	F06080666	F06080502		
10 B-1	19,10	57156004	57155004		

	Pos.
Z10	38
Z15	39
Z16	40
Z23	41
Z23 r.l.	42
Z25	43
Z30	44

Ingranaggi trasmissione seminatori			
A	Z16	Z23	Z23
B	Z23	Z16	Z23
A	Z16	Z23 r.l.	Z23
B	Z23 r.l.	Z16	Z23 r.l.

Ingranaggi trasmissione spandiconcime e microgranulatore			
A	Z10	Z15	
B	Z30	Z25	

**< 2004**

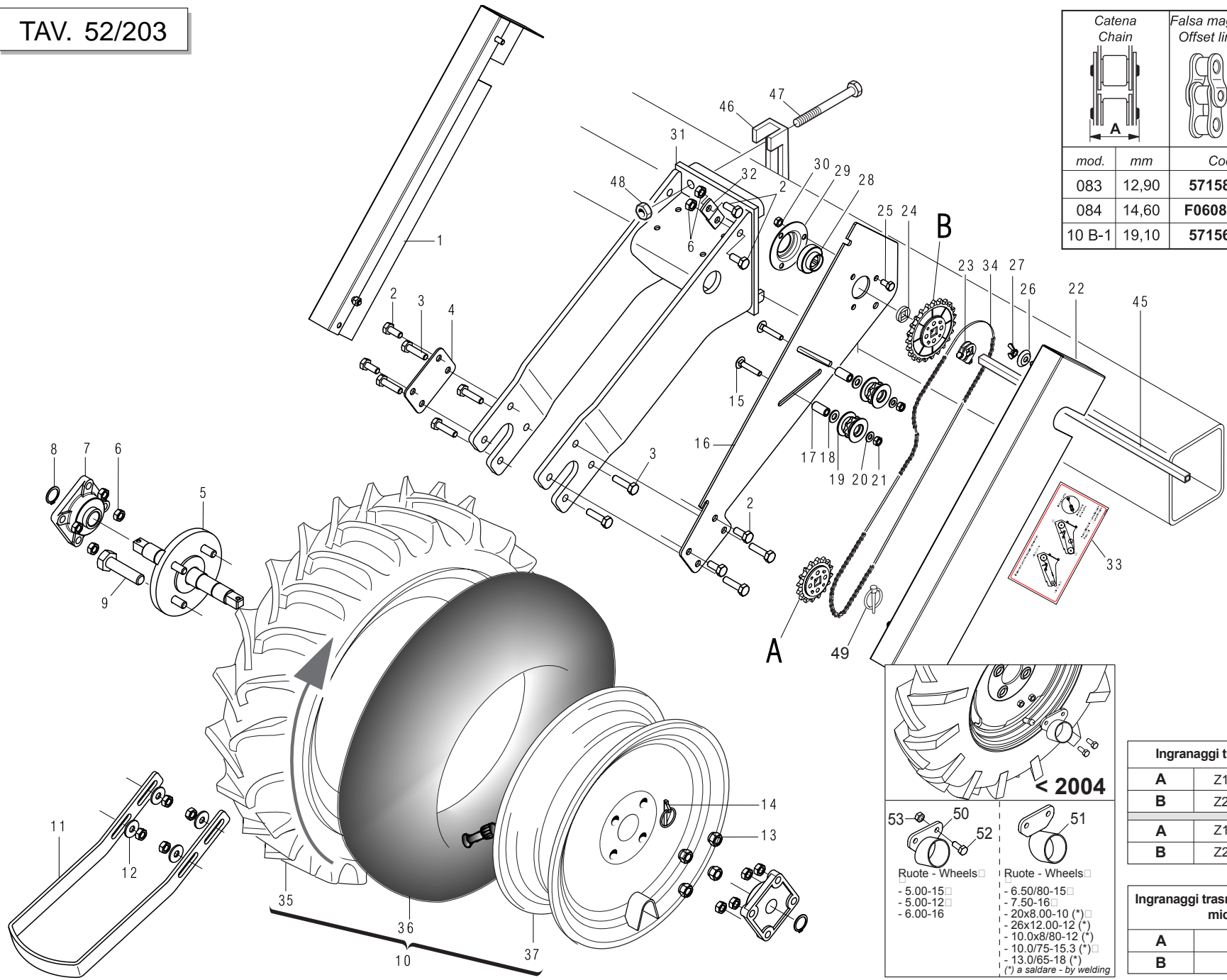
Ruote - Wheels □ Ruote - Wheels □

- 5.00-15 □
- 5.00-12 □
- 6.00-16
- 6.50/80-15 □
- 7.50-16 □
- 20x8.00-10 (\*) □
- 26x12.00-12 (\*) □
- 10.0x8/80-12 (\*) □
- 10.0/75-15.3 (\*) □
- 13.0/65-18 (\*) □

(\*) a saldare - by welding

**RUOTE DI TRASMISSIONE**

Pos.	Cod.	Descrizione	Description	Description	Benennung	Descripcion
1	16630360	CARTER SX	LEFT CASE	CARTE GCH	GEHZUSE LI	CARTER IZQ
1	15231320	CARTER SX 7.50	LEFT TRANSMISSION CASE	CARTER TRANSMISSION GCH	GEHZUSE ANTRIEB LI	CARTER TRANSMISION IZQ
2	F01020472	VITE 10X25 5739 8.G ZN	BOLT 10X25 5739 8.G GALVANIZED	VIS 10X25 5739 8.G ZN	SCHRAUBE 10X25 5739 8.G ZN	TORNILLO 10X25 5739 8.G ZN
3	F01020481	VITE 10X40 5739 8.G ZN	BOLT 10X40 5739 8.G GALVANIZED	VIS 10X40 5739 8.G ZN	SCHRAUBE 10X40 5739 8.G ZN	TORNILLO 10X40 5739 8.G ZN
4	16630380	SCONTRIO 100X70-3 4F11 70X40	STRIKER PLATE 100X70-3 4F	BUTEE 100X70-3 4F	ANSCHLAG 100X70-3 4F	ELEMENTO DE EMPALME 100X70-3 4
4	22270284	ATTACCO RASCHIATERRA SP/S	SOIL SCRAPER COUPLING SP/S	FIXATION RACLEUR SP/S	KUPPLUNG ERDABSCHABER SP/S	CONEXIN RASPADOR SP/S
5	22270280	ASSE RUOTA TRASM.NORMALE SP/S	NORMAL DRIVE WHEEL AXLE	AXE ROUE ENTRAINEMENT 5.00-15	RADACHSE NORMALER ANTRIEB SP/S	EJE RUEDA TRANS. NORMAL SP/S
5	22270281	ASSE RUOTA TRASM.MAGG. SP/S	INCREASED DRIVE WHEEL AXLE	AXE ROUE ENTRAINEMENT 6.50-15	RADACHSE sBERBEM. ANTRIEB SP/S	EJE RUEDA TRANS. SOBREDIMENS.
5	15231160	ASSE RUOTA 7.50 X 16	WHEEL AXLE 7.50 X 16	AXE ROUE 7.50 X 16	RADACHSE 7.50 X 16	EJE RUEDA 7.50 X 16
6	F01200270	DADO 10 5588 6.8 ZN	SCREW 10 UNI 5588 6.8 GALVANIZ	ECROU 10 UNI 5588 6.8 ZN	MUTTER 10 UNI 5588 6.8 ZN	TUERCA 10 UNI 5588 6.8 ZN
7	F04100137	SUPPORTO FY 25 TF	SUPPORT FY 25 TF	SUPPORT FY 25 TF	HALTERUNG FY 25 TF	SOPORTE FY 25 TF
8	F02050613	ANELLO ARR.25 UNI 7435-75	STOP RING 25 UNI 7435-75	BAGUE DE SERRAGE 25 UNI 7435-7	DRAHTSPRENGRING 25 UNI 7435-75	ANILLO PARADA 25 UNI 7435-75
9	F01010365	VITE 18X55 MB 5740 8.G ZN	SCREW 18X55 MB 5740 8.G ZN	VIS 18X55 MB 5740 8.G ZN	SCHRAUBE 18X55 MB 5740 8.G ZN	TORNILLO 18X55 MB 5740 8.G ZN
10	F06120114	RUOTA COMPL.5.00-15 6PR SX	COMPL. WHEEL 20X8.00-10 LH.	ROUE COMPL. 20X8.00-10 GCH.	RAD KOMPL.20X8.00-10 LI	RUEDA COMPL.20X8.00-10 IZQ.
10	F06120113	RUOTA COMPL.5.00-15 6PR DX	COMPL. WHEEL 5.00-15 6PR RH.	ROUE COMPL. 5.00-15 6PR DRT.	RAD KOMPL.5.00-15 6PR RE	RUEDA COMPL.5.00-15 6PR DER.
10	F06120115	RUOTA GOMMATA LARGA SX COMPL.	UPRIGHT- WIDE RUBBERED WHEEL	MONT. ROUE CAOUTCHOUT. LARG.	STZNDER BREITES GUMMIRAD	MONT.RUEDA DE CAUCHO ANCHA
10	F06120116	RUOTA 6.50/80-15 COMPL.	UPRIGHT- WIDE RUBBERED WHEEL	MONT. ROUE CAOUTCHOUT. LARG.	STZNDER BREITES GUMMIRAD	MONT.RUEDA DE GOMADA LARGA
10	F06120069	RUOTA 7.50-16 AG 10	WHEEL 7.50-16 AG10	ROUE 7.50-16 AG10	RAD 7.50-16 AG10	RUEDA 7.50-16 AG10
11	15430090	RASCHIATERRA	SOIL SCRAPER	RACLEUR	ERDSCHABER	RASCADOR TIERRA
11	15430660	RASCHIATERRA MAGGIORATO SP 530	INCREASED SOIL-SCRAPER SP 530	RACLEUR MAJOR. SP 530	sBERGROSSER ERDSCHABER SP 530	RASCADOR TIERRA OBREDIMENS. SP
11	15231171	RASCHIATERRA RUOTA 7,50X16	WHEEL SOIL SCRAPER 7,50X16	RACLEUR ROUE 7,50X16	ERDSCHABER RAD 7,50X16	RASCADOR TIERRA RUEDA 7,50X16
12	F01420060	ROND.PIANA 11X30X2,5 6593 ZN	FLAT WASHER 11X30X2-5 6593 ZN	ROND.PLATE 11X30X2-5 6593 ZN	SCHEIBE 11X30X2-5 6593 ZN	ARAND. PLANA 11X30X2-5 6593 ZN
13	F01250040	DADO 12X1.5 COLONNETTA	COLUMN NUT M12X1.5 STUD BOLT	ECROU M12X1. 5 COLONNE	SCHRAUBBOLZENMUTTER M12X1.5	TUERCA 12X1.5 COLUMNA
13	F01250052	DADO 18X1,5 COLONNETTA	COLUMN NUT 18X1,5 STUD BOLT	ECROU 18X1,5 COLONNE	SCHRAUBBOLZENMUTTER 18X1,5	TUERCA 18X1,5 COLUMNA
14	F02200452	SPINA A SCATTO D.4,4 B/80	SNAP PIN D.4-4 B/80	FICHE A DETENTE D. 4-4 B/80	EINRASTSTIFT D 4-4 B/80	CLAVIJA DE MUELLE D.4-4 B/80
15	F01060047	VITE 8 X45 5732 4.6 ZN	BOLT 8X45 5732 4.6 GALVANIZED	VIS 8X45 5732 4.6 ZN	SCHRAUBE 8X45 5732 4.6 ZN	TORNILLO 8X45 5732 4.6 ZN
16	16630310	SUPPORTO TRASMISSIONE SP540	TRANSM.SUPPORT	SUPPORT ENTRAINEMENT	RADANTRIEB-HALTERUNG	SOPORTE TRANSMIS.
16	15231421	SUPPORTO TRASMISSIONE R.7.5-16	TRANSMSUPPORT 7,50X16	SUPPORT ENTRAINEMENT 7,50X16	HALTERUNG GETRIEBE 7,50X16	SOPORTE TRANSMISIN 7,50X16
17	18802880	BOCCOLA 8,1X14X25,2 INOX	BUSHING 8,1X14X25,2 INOX	BOITE 8,1X14X25,2 INOX	B_CHSE 8,1X14X25,2 INOX	CASQUILLO 8,1X14X25,2 INOX
18	F01420060	ROND.PIANA 11X30X2,5 6593 ZN	FLAT WASHER 11X30X2-5 6593 ZN	ROND.PLATE 11X30X2-5 6593 ZN	SCHEIBE 11X30X2-5 6593 ZN	ARAND. PLANA 11X30X2-5 6593 ZN
19	19005070	INGRANAGGIO TENDICATENA Z8	CHAIN TIGHTENER GEAR	ENGRENAGE TENDEUR DE CHAINE	KETTENSPANNER ZAHNRAD	ENGRANAJE TENSOR DE LA CADENA
20	F01410064	RONDELLA D10 UNI 6592 ZN	WASHER D10 UNI 6592 GALVANIZED	RONDELLE D10 UNI 6592 ZN	UNTERLEGSCHHEIBE D10 UNI 6592 Z	ARANDELA D10 UNI 6592 ZN
21	F01200244	DADO 8 5588 6.8 ZN	NUT 8 UNI 5588 6.8 GALVANIZED	ECROU 8 UNI 5588 6.8 ZN	MUTTER 8 UNI 5588 6.8 ZN	TUERCA 8 UNI 5588 6.8 ZN
22	16630350	CARTER DX	RIGHT CASE	CARTER DRT	GEHZUSE RE	CARTER DER
22	15231300	CARTER DX 7.50	RH CASING	CARTER DRT.	GEHZUSE RECHTS	CARTER DER
23	22505085	FERMO ASSE IN LAMIERA	PLATE AXLE STOP	ARRET AXE EN TOLE	FESTSTELLVORRICHTUNG BLECHACHS	BLOQUEO EJE DE CHAPA
24	66248218	RONDELLA DISTAN.SPAND.	MAN. SPR. SPACER WASHER	RONDELLE ENTRETOISE EP. ENGRAI	ABSTANDSCHEIBE DsNGERSTREUER	ARANDELA DISTAN.ABONAD.
25	F01020432	VITE 8 X16 5739 8.G ZN	BOLT 8X16 5739 8.G GALVANIZED	VIS 8X16 5739 8.G ZN	SCHRAUBE 8X16 5739 8.G ZN	TORNILLO 8X16 5739 8.G ZN
26	22220083	RONDELLA AD IMBOCCO	LEAD-IN WASHER	RONDELLE EMBOUTIE	TRICHTERSCHHEIBE	ARANDELA DE MUESCA
27	F01240024	DADO 8 5448 5.8 ZN	NUT 8 UNI 5448 5.8 ZN	ECROU 8 UNI 5448 5.8 ZN	MUTTER 8 UNI 5448 5.8 ZN	TUERCA 8 UNI 5448 5.8 ZN
28	14830390	CUSCINETTO FORO QUADRO	SQUARE-HOLED BEARING	ROULEMENT AL+SAGE CARR+	VIERKANTLAGER	COJINETE ORIFICIO CUADRADO
29	22230094	SUPPORTO CUSCINETTO	BEARING SUPPORT	SUPPORT PALIER	LAGERBsCHSE	SOPORTE COJINETE
30	F01220222	DADO TRISTOP M 8	NUT- TRISTOP M 8	ECROU TRISTOP M 8	MUTTER TRISTOP M 8	TUERCA TRISTOP M 8
31	16630290	SUPPORTO RUOTA 5,00-15	WHEEL SUPPORT 5,00-15	SUPPORT ROUE 5,00-15	RADLAGER 5,00-15	SOPORTE RUEDA 5,00-15
31	16630300	SUPPORTO RUOTA 6,50/80-15	WHEEL SUPPORT 6,50/80-15	SUPPORT ROUE 6,50/80-15	RADLAGER 6,50/80-15	SOPORTE RUEDA 6,50/80-15
31	15231141	SUPPORTO RUOTA 7.50	WHEEL SUPPORT 7.50	SUPPORT ROUE 7.50	RADLAGER 7.50	SOPORTE RUEDA 7.50
32	16630320	ATTACCO AL SUPPORTO RUOTA	SUPP. WHEEL COUPLING	FIXATION SUPPORT ROUET	KUPPLUNG HALT. KL. RAD	CONEXIN SOP. RUEDECILLA
32	15231330	ATTACCO AL SUPPORTO RUOTA	SUPP. WHEEL COUPLING	FIXATION SUPPORT ROUET	KUPPLUNG HALT. KL. RAD	CONEXIN SOP. RUEDECILLA
33	19704690	DECAL.DISP.CATENE/INGR.R.POST.	STICKER	DECALCOMANIE	ABZIEHBILDER	CALCOMANIAS
34	F06080168	SPEZZ.CAT.ISO 10B-1 86 MAGLIE	CUT-DOWN CHAIN .ISO 10B-1 86 -	TRONCON CHAINE ISO 10B-1 86 MA	KETTENLNZGE ISO 10B-1 186 GLIE	TRECHO CADENA ISO 10B-1 86 ESL
34	F06080245	AN.CAT.5/8 94M.ISO 10B-1	ISO 10B-1 CHAIN LINK - 5/8 94-	CHAINE ISO 10B-1 5/8 94 MAI	KETTENRING ISO 10B-1 5/8 94 GL	ESL. CADENA ISO 10B-1 5/8 94 E
35	F06120170	COPERTURA 5.00-15 IM 110 4 PR	COVERING 500-15 IM110 4PR	COUVERTURE 500-15 IM110 4PR	MANTEL 500-15 IM110 4PR	CUBIERTA 500-15 IM110 4PR
35	F06120180	COPERTURA 6.5/80-15 IM 110 4PR	COVERING 6.5/80-15 IM 110 2PR	COUVERTURE 6.5/80-15 IM110 4PR	MANTEL .5/80-15 IM 110 2PR	CUBIERTA 6.5/80-15 IM 110 2PR
35	F06120400	COPERTURA 7.50-16 IM110 8PR TU	COVERING 7.50-16 IM110 8PR TU	COUVERTURE 7.50-16 IM110 8PR T	MANTEL 7.50-16 IM110 8PR TU	CUBIERTA 7.50-16 IM110 8PR TU
36	F06120134	CAMERA 15 L 290	CHAMBER 15 L.290	CHAMBRE 15 L 290	KAMMER 15 L 290	CAMARA 15 L 290



Catena Chain		Falsa maglia Offset link		Maglia giunto Connecting link	
mod.	mm	Cod.	Cod.	Cod.	Cod.
083	12,90	57158041	57158040	57158040	57158040
084	14,60	F06080666	F06080502	F06080502	F06080502
10 B-1	19,10	57156004	57155004	57155004	57155004

	Pos.
Z10	38
Z15	39
Z16	40
Z23	41
Z23 r.l.	42
Z25	43
Z30	44

Ingranaggi trasmissione seminatori			
A	Z16	Z23	Z23
B	Z23	Z16	Z23
A	Z16	Z23 r.l.	Z23
B	Z23 r.l.	Z16	Z23 r.l.

Ingranaggi trasmissione spandiconcime e microgranulatore			
A	Z10	Z15	
B	Z30	Z25	

**< 2004**

Ruote - Wheels	Ruote - Wheels
- 5.00-15	- 6.50/80-15
- 5.00-12	- 7.50-16
- 6.00-16	- 20x8.00-10 (*)
	- 26x12.00-12 (*)
	- 10.0x8/80-12 (*)
	- 10.0/75-15.3 (*)
	- 13.0/65-18 (*)
	(*) a saldare - by welding



# RUOTE DI TRASMISSIONE

TAV. 52/203

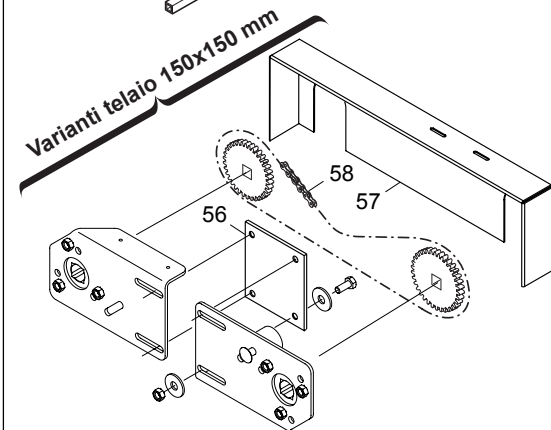
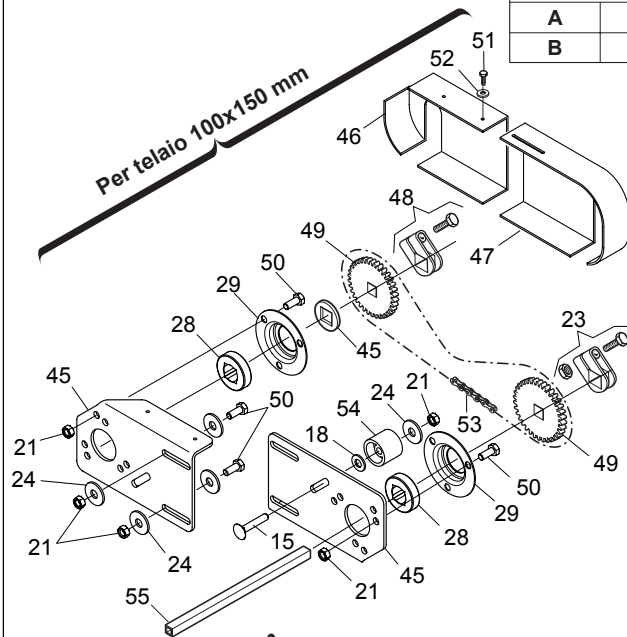
Pos.	Cod.	Descrizione	Description	Description	Benennung	Descripcion
36	F06120135	CAMERA 15 T 340	CHAMBER 15 T 340	CHAMBRE 15 T 340	KAMMER 15 T 340	CAMARA 15 T 340
36						
37	F06120192	CERCHIO 3.00 D 15 COL.BEIGE	RIM 300 DX15"- BEIGE	JANTE 3.00 D15" COULEUR BEIGE	FELGE 300 DX15" FARBE BEIGE	LLANTA 300 DER.15"COL.BEIGE
37	F06120196	CERCHIO 5J 15 4 FORI CANALE	RING 5JX15" 4 HOLE CHANNEL	JANTE 5JX15" 4 TROUES CANAL	REIFEN 5JX15" 4 LTCHER KANAL	LLANTA 5JX15" 4 AGUJEROS CANA
37	F06120208	CERCHIO 7.50-16 PV TU	RING 7.50-16 PV TU	JANTE 7.50-16 PV TU	REIFEN 7.50-16 PV TU	LLANTA 7.50-16 PV TU
38	22220113	INGRANAGGIO Z-10 FERRO	GEAR Z-10 IRON	ENGRENAGE Z-10 FER	ZAHNRAD Z-10 EISEN	ENGRANAJE Z-10 HIERRO
39	16630390	PIGNONE Z-15 ZN	PINION Z-15 ZN	PIGNON Z-15 ZN	RITZE Z-15 ZN	PINION Z-15 ZN
40	16630400	PIGNONE Z-16 ZN.	PINION Z-16 ZN.	PIGNON Z-16 ZN.	RITZE Z-16 ZN.	PINION Z-16 ZN.
41	16630410	PIGNONE Z-23 ZN.	PINION Z-23 ZN.	PIGNON Z-23 ZN.	RITZE Z-23 ZN.	PINION Z-23 ZN.
42	16630370	INGRANAGGIO R.LIBERA Z-23 ZN	FREE WHEEL GEAR Z-23	ENGRENAGE Z-23 ROUE LIBRE	ZAHNRAD FREILAUF Z-23	ENGRANAJE R.LIBRE Z-23
43	16630420	PIGNONE Z-25 ZN.	PINION Z-25 ZN.	PIGNON Z-25 ZN.	RITZE Z-25 ZN.	PINION Z-25 ZN.
44	16630430	PIGNONE Z-30 ZN.	PINION Z-30 ZN.	PIGNON Z-30 ZN.	RITZE Z-30 ZN.	PINION Z-30 ZN.
45	20870028	ASSE SERB.LATO TRAS.6F.L.1800	AXLE- GEARBOX SIDE- 6-ROW L.18	AXE RESERVOIR COTE ENTRAINEMEN	ACHSE BEHZLTER ANTRIEBSS. 6F.L	EJE DEPS. LADO TRANS. 6 FILA A
45	22230138	ASSE CAMBIO 4F.80-6F.45 L.1000	GEAR SPINDLE 4-ROW 80- 6-ROW.4	AXE BOITE DE VITESSE 4 RA	GETRIEBEACHSE 4 R. 80-6 R.45 L	EJE CAMBIO 4 FILAS. 80-6 FILAS
45	22230142	ASSE 4 FILE L.800	4-ROW SPINDLE L.800	AXE 4 RANGEES L. 800	ACHSE 4 REIHEN B. 800	EJE 4 FILAS L.800
45	22230140	ASSE SEMINAT.4F.CM.80 L.1200	AXLE- 4-ROW SEEDER MACH. 80 CM	AXE SEMEUR 4 RANGEES CM. 80 L.	ACHSE SZAELEMENT 4R.CM.80 L.12	EJE SEMBR. 4 FILAS. CM.80 L.12
46	15110091	SCONTRO A U	STRIKER	BRIDE 150 MM	ANSCHLAG	ELEMENTO DE EMPALME
47	F01020235	VITE M14X 2X220 U5737 8.8 ZG	BOLT M14X 2X220 U5737 8.8 ZG	VIS M14X 2X220 U5737 8.8 ZG	SCHRAUBE M14X 2X220 U5737 8.	TORNIL. M14X 2X220 U5737 8.8
47	41601101	VITE 14 X160 5737 8.G	BOLT M 14 X160 5737 8.G	VIS M 14 X160 5737 8.G	SCHRAUBE M 14 X160 5737 8.G	TORNILLO M 14 X160 5737 8.G
48	F01200306	DADO 14 5588 6.8 ZN	NUT 14 UNI 5588 6.8 GALVANIZED	ECROU 14 UNI 5588 6.8 ZN	MUTTER 14 UNI 5588 6.8 ZN	TUERCA 14 UNI 5588 6.8 ZN
49	F02200452	SPINA A SCATTO D.4,4 B/80	SNAP PIN D.4-4 B/80	FICHE A DETENTE D. 4-4 B/80	EINRASTSTIFT D 4-4 B/80	CLAVIJA DE MUELLE D.4-4 B/80
50	16630460	PROTEZIONE VALVOLA R5.00	VALVE GUARD R5.00	PROTECTION SOUPAPE R5.00	VENTILSCHUTZ R5.00	PROTECIÉN V+LVULA R5.00
51	16630470	PROTEZIONE VALVOLA R6.50	VALVE GUARD R6.50	PROTECTION SOUPAPE R6.50	VENTILSCHUTZ R6.50	PROTECIÉN V+LVULA R6.50
52	F01020440	VITE 8 X25 5739 8.G ZN	BOLT 8X25 5739 8.G GALVANIZED	VIS 8X25 5739 8.G ZN	SCHRAUBE 8X25 5739 8.G ZN	TORNILLO 8X25 5739 8.G ZN
53	F01230034	DADO AUTOB.NOR.8 ZN	NORMAL SELF-LOCKING NUT 8 GALV	ECROU AUTOB. NOR. 8 ZN	SELBSTSP. MUTTER NOR. 8 ZN	TUERCA AUTOB. NOR. 8 ZN

# TAV. 52/203-A

Ingranaggi trasmissione seminatori			
A	Z16	Z23	Z23
B	Z23	Z16	Z23

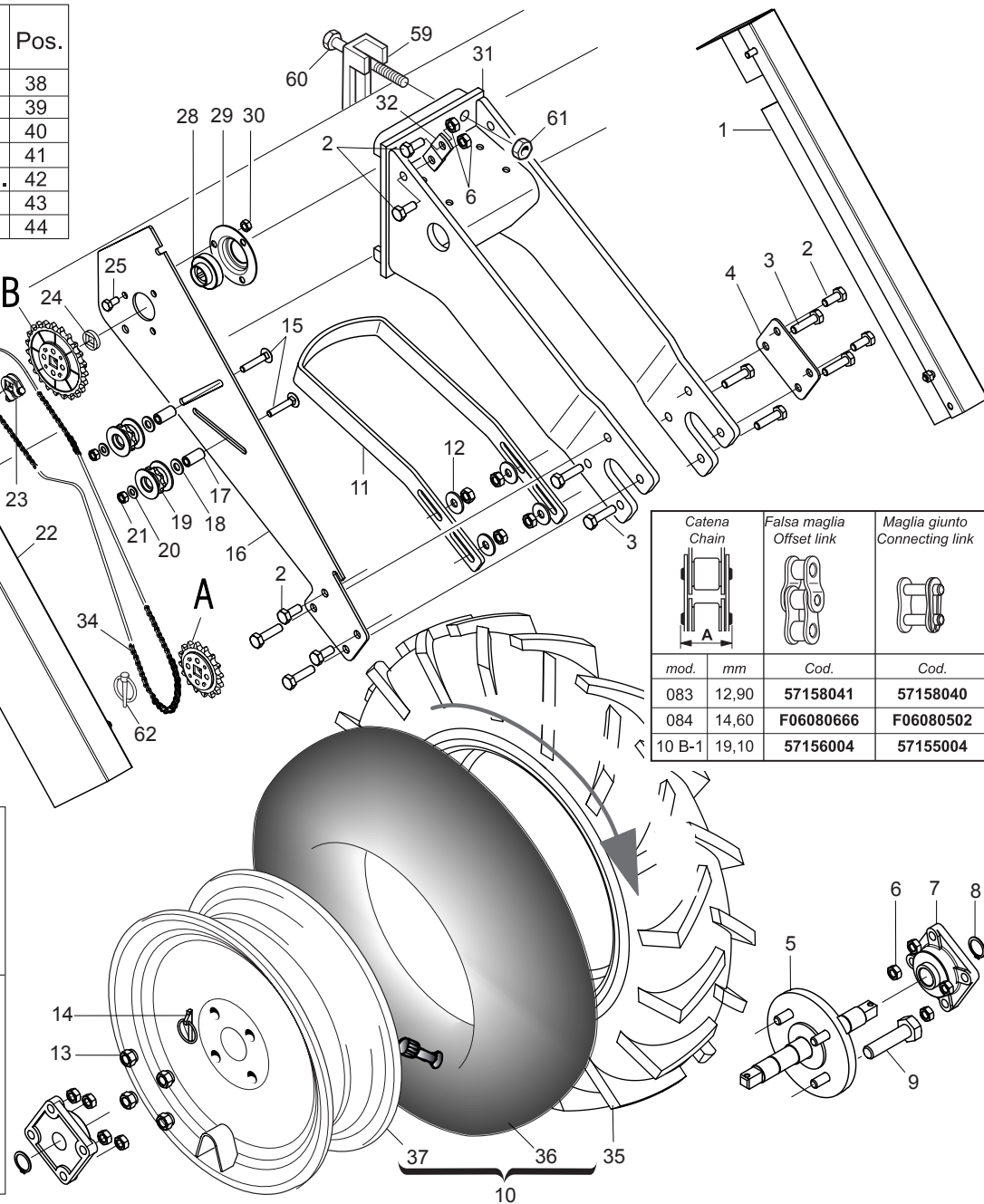
Ingranaggi trasmissione spandiconcime e microgranulatore			
A	Z10	Z15	
B	Z30	Z25	

	Pos.
Z10	38
Z15	39
Z16	40
Z23	41
Z23 r.l.	42
Z25	43
Z30	44



**< 2004**

<p>Ruote - Wheels □</p> <ul style="list-style-type: none"> <li>- 5.00-15 □</li> <li>- 5.00-12 □</li> <li>- 6.00-16 □</li> </ul>	<p>Ruote - Wheels □</p> <ul style="list-style-type: none"> <li>- 6.50/80-15 □</li> <li>- 7.50-16 □</li> <li>- 20x8.00-10 (*) □</li> <li>- 26x12.00-12 (*) □</li> <li>- 10.0x8/80-12 (*) □</li> <li>- 10.0/75-15.3 (*) □</li> <li>- 13.0/65-18 (*) □</li> </ul> <p>(*) a saldare - by welding</p>
---	--



Catena Chain	Falsa maglia Offset link	Maglia giunto Connecting link	
mod.	mm	Cod.	Cod.
083	12,90	57158041	57158040
084	14,60	F06080666	F06080502
10 B-1	19,10	57156004	57155004

# RUOTE DI TRASMISSIONE ANTERIORI

TAV. 52/203-A

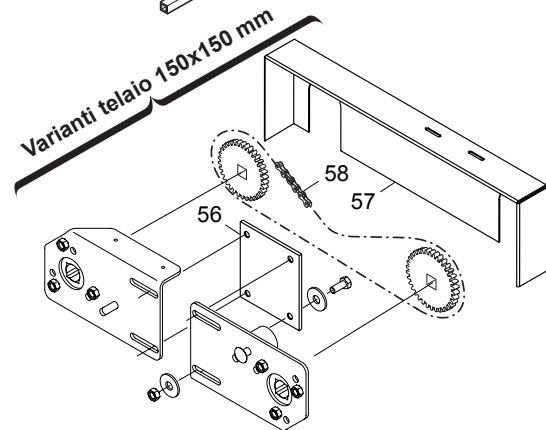
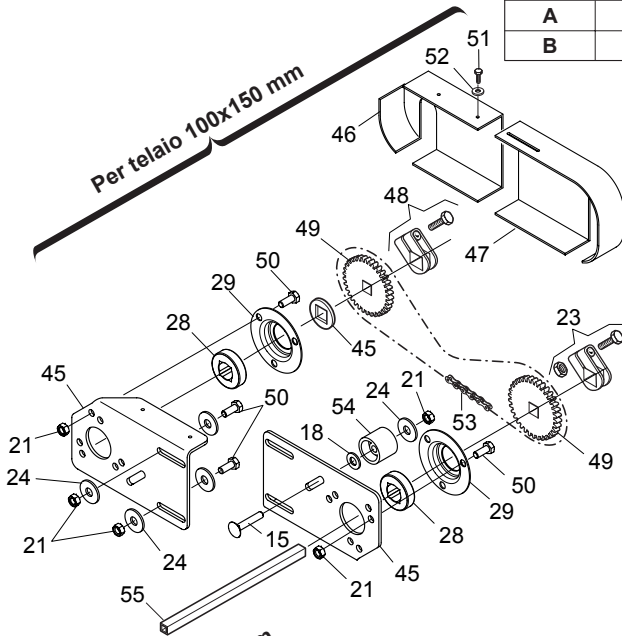
Pos.	Cod.	Descrizione	Description	Description	Benennung	Description
1	16630360	CARTER SX	LEFT CASE	CARTE GCH	GEHZUSE LI	CARTER IZQ
1	15231320	CARTER SX 7.50	LEFT TRANSMISSION CASE	CARTER TRANSMISSION GCH	GEHZUSE ANTRIEB LI	CARTER TRANSMISSION IZQ
2	F01020472	VITE 10X25 5739 8.G ZN	BOLT 10X25 5739 8.G GALVANIZED	VIS 10X25 5739 8.G ZN	SCHRAUBE 10X25 5739 8.G ZN	TORNILLO 10X25 5739 8.G ZN
3	F01020481	VITE 10X40 5739 8.G ZN	BOLT 10X40 5739 8.G GALVANIZED	VIS 10X40 5739 8.G ZN	SCHRAUBE 10X40 5739 8.G ZN	TORNILLO 10X40 5739 8.G ZN
4	16630380	SCONTRO 100X70-3 4F11 70X40	STRIKER PLATE 100X70-3 4F	BUTEE 100X70-3 4F	ANSCHLAG 100X70-3 4F	ELEMENTO DE EMPALME 100X70-3 4
4	15231440	SUPP.RASCHIATERRA R.7.50 ANT.	SCRAPER SUPPORT 7,50 FRONT	SUPP. RACLE 7,50 AVANT	ERDSCHABERHALTERUNG 7,50	SOPORTE RASCADOR 7,50 ANT.
5	22270280	ASSE RUOTA TRASM.NORMALE SP/S	NORMAL DRIVE WHEEL AXLE	AXE ROUE ENTRAINEMENT 5.00-15	RADACHSE NORMALER ANTRIEB SP/S	EJE RUEDA TRANS. NORMAL SP/S
5	22270281	ASSE RUOTA TRASM.MAGG. SP/S	INCREASED DRIVE WHEEL AXLE	AXE ROUE ENTRAINEMENT 6.50-15	RADACHSE sBERBEM. ANTRIEB SP/S	EJE RUEDA TRANS. SOBREDIMENS.
5	15231160	ASSE RUOTA 7.50 X 16	WHEEL AXLE 7.50 X 16	AXE ROUE 7.50 X 16	RADACHSE 7.50 X 16	EJE RUEDA 7.50 X 16
6	F01200270	DADO 10 5588 6.8 ZN	SCREW 10 UNI 5588 6.8 GALVANIZ	ECROU 10 UNI 5588 6.8 ZN	MUTTER 10 UNI 5588 6.8 ZN	TUERCA 10 UNI 5588 6.8 ZN
7	F04100137	SUPPORTO FY 25 TF	SUPPORT FY 25 TF	SUPPORT FY 25 TF	HALTERUNG FY 25 TF	SOPORTE FY 25 TF
8	F02050613	ANELLO ARR.25 UNI 7435-75	STOP RING 25 UNI 7435-75	BAGUE DE SERRAGE 25 UNI 7435-7	DRAHTSPRENGRING 25 UNI 7435-75	ANILLO PARADA 25 UNI 7435-75
9	F01010365	VITE 18X55 MB 5740 8.G ZN	SCREW 18X55 MB 5740 8.G ZN	VIS 18X55 MB 5740 8.G ZN	SCHRAUBE 18X55 MB 5740 8.G ZN	TORNILLO 18X55 MB 5740 8.G ZN
10	F06120113	RUOTA COMPL.5.00-15 6PR DX	COMPL. WHEEL 5.00-15 6PR RH.	ROUE COMPL. 5.00-15 6PR DRT.	RAD KOMPL.5.00-15 6PR RE	RUEDA COMPL.5.00-15 6PR DER.
10	F06120114	RUOTA COMPL.5.00-15 6PR SX	COMPL. WHEEL 20X8.00-10 LH.	ROUE COMPL. 20X8.00-10 GCH.	RAD KOMPL.20X8.00-10 LI	RUEDA COMPL.20X8.00-10 IZQ.
10	F06120115	RUOTA GOMMATA LARGA SX COMPL.	UPRIGHT- WIDE RUBBERED WHEEL	MONT. ROUE CAOUTCHOUT. LARG.	STZNDER BREITES GUMMIRAD	MONT.RUEDA DE CAUCHO ANCHA
10	F06120116	RUOTA 6.50/80-15 COMPL.	UPRIGHT- WIDE RUBBERED WHEEL	MONT. ROUE CAOUTCHOUT. LARG.	STZNDER BREITES GUMMIRAD	MONT.RUEDA DE GOMADA LARGA
10	F06120069	RUOTA 7.50-16 AG 10	WHEEL 7.50-16 AG10	ROUE 7.50-16 AG10	RAD 7.50-16 AG10	RUEDA 7.50-16 AG10
11	15430090	RASCHIATERRA	SOIL SCRAPER	RACLEUR	ERDSCHABER	RASCADOR TIERRA
11	15430660	RASCHIATERRA MAGGIORATO SP 530	INCREASED SOIL-SCRAPER SP 530	RACLEUR MAJOR. SP 530	sBERGROSSER ERDSCHABER SP 530	RASCADOR TIERRA OBREDIMENS. SP
11	15231430	RASCHIATERRA RUOTA 7,5 ANT.	FRONT SOIL-SCRAPER WHEEL 7,5	RACLEUR ROUE AVANT 7,5	ERDSCHABER VORDERRAD 7,5	RASCADOR DE TIERRA RUEDA DEL.
12	F01420060	ROND.PIANA 11X30X2,5 6593 ZN	FLAT WASHER 11X30X2-5 6593 ZN	ROND.PLATE 11X30X2-5 6593 ZN	SCHEIBE 11X30X2-5 6593 ZN	ARAND. PLANA 11X30X2-5 6593 ZN
13	F01250040	DADO 12X1.5 COLONNETTA	COLUMN NUT M12X1,5 STUD BOLT	ECROU M12X1,5 COLONNE	SCHRAUBBOLZENMUTTER M12X1,5	TUERCA 12X1,5 COLUMNA
13	F01250052	DADO 18X1,5 COLONNETTA	COLUMN NUT 18X1,5 STUD BOLT	ECROU 18X1,5 COLONNE	SCHRAUBBOLZENMUTTER 18X1,5	TUERCA 18X1,5 COLUMNA
14	F02200452	SPINA A SCATTO D.4,4 B/80	SNAP PIN D.4-4 B/80	FICHE A DETENTE D. 4-4 B/80	EINRASTSTIFT D 4-4 B/80	CLAVIJA DE MUELLE D.4-4 B/80
15	F01060047	VITE 8 X45 5732 4.6 ZN	BOLT 8X45 5732 4.6 GALVANIZED	VIS 8X45 5732 4.6 ZN	SCHRAUBE 8X45 5732 4.6 ZN	TORNILLO 8X45 5732 4.6 ZN
16	16630310	SUPPORTO TRASMISSIONE SP540	TRANSM.SUPPORT	SUPPORT ENTRAINEMENT	RADANTRIEB-HALTERUNG	SOPORTE TRANSMIS.
16	15231421	SUPPORTO TRASMISSIONE R.7.5-16	TRANSMSUPPORT 7,50X16	SUPPORT ENTRAINEMENT 7,50X16	HALTERUNG GETRIEBE 7,50X16	SOPORTE TRANSMISIN 7,50X16
17	18802880	BOCCOLA 8,1X14X25,2 INOX	BUSHING 8,1X14X25,2 INOX	BOITE 8,1X14X25,2 INOX	B_CHSE 8,1X14X25,2 INOX	CASQUILLO 8,1X14X25,2 INOX
18	F01420060	ROND.PIANA 11X30X2,5 6593 ZN	FLAT WASHER 11X30X2-5 6593 ZN	ROND.PLATE 11X30X2-5 6593 ZN	SCHEIBE 11X30X2-5 6593 ZN	ARAND. PLANA 11X30X2-5 6593 ZN
19	19005070	INGRANAGGIO TENDICATENA Z8	CHAIN TIGHTENER GEAR	ENGRENAGE TENDEUR DE CHAINE	KETTENSPANNER ZAHNRAD	ENGRANAJE TENSOR DE LA CADENA
20	F01410064	RONDELLA D10 UNI 6592 ZN	WASHER D10 UNI 6592 GALVANIZED	RONDELLE D10 UNI 6592 ZN	UNTERLEGSCHHEIBE D10 UNI 6592 Z	ARANDELA D10 UNI 6592 ZN
21	F01200244	DADO 8 5588 6.8 ZN	NUT 8 UNI 5588 6.8 GALVANIZED	ECROU 8 UNI 5588 6.8 ZN	MUTTER 8 UNI 5588 6.8 ZN	TUERCA 8 UNI 5588 6.8 ZN
22	16630350	CARTER DX	RIGHT CASE	CARTER DRT	GEHZUSE RE	CARTER DER
22	15231300	CARTER DX 7.50	RH CASING	CARTER DRT.	GEHZUSE RECHTS	CARTER DER
23	22505085	FERMO ASSE IN LAMIERA	PLATE AXLE STOP	ARRET AXE EN TOLE	FESTSTELLVORRICHTUNG BLECHACHS	BLOQUEO EJE DE CHAPA
24	66248218	RONDELLA DISTAN.SPAND.	MAN. SPR. SPACER WASHER	RONDELLE ENTRETOISE EP. ENGRAI	ABSTANDSCHEIBE DsNGERSTREUER	ARANDELA DISTAN.ABONAD.
25	F01020432	VITE 8 X16 5739 8.G ZN	BOLT 8X16 5739 8.G GALVANIZED	VIS 8X16 5739 8.G ZN	SCHRAUBE 8X16 5739 8.G ZN	TORNILLO 8X16 5739 8.G ZN
26	22220083	RONDELLA AD IMBOCCO	LEAD-IN WASHER	RONDELLE EMBOUTIE	TRICHTERSCHHEIBE	ARANDELA DE MUESCA
27	F01240024	DADO 8 5448 5.8 ZN	NUT 8 UNI 5448 5.8 ZN	ECROU 8 UNI 5448 5.8 ZN	MUTTER 8 UNI 5448 5.8 ZN	TUERCA 8 UNI 5448 5.8 ZN
28	14830390	CUSCINETTO FORO QUADRO	SQUARE-HOLED BEARING	ROULEMENT AL+SAGE CARR+	VIERKANTLAGER	COJINETE ORIFICIO CUADRADO
29	22230094	SUPPORTO CUSCINETTO	BEARING SUPPORT	SUPPORT PALIER	LAGERBsCHSE	SOPORTE COJINETE
30	F01220222	DADO TRISTOP M 8	NUT- TRISTOP M 8	ECROU TRISTOP M 8	MUTTER TRISTOP M 8	TUERCA TRISTOP M 8
31	16630290	SUPPORTO RUOTA 5,00-15	WHEEL SUPPORT 5,00-15	SUPPORT ROUE 5,00-15	RADLAGER 5,00-15	SOPORTE RUEDA 5,00-15
31	16630300	SUPPORTO RUOTA 6,50/80-15	WHEEL SUPPORT 6,50/80-15	SUPPORT ROUE 6,50/80-15	RADLAGER 6,50/80-15	SOPORTE RUEDA 6,50/80-15
31	15231141	SUPPORTO RUOTA 7.50	WHEEL SUPPORT 7.50	SUPPORT ROUE 7.50	RADLAGER 7.50	SOPORTE RUEDA 7.50
32	16630320	ATTACCO AL SUPPORTO RUOTA	SUPP. WHEEL COUPLING	FIXATION SUPPORT ROUET	KUPPLUNG HALT. KL. RAD	CONEXIN SOP. RUEDECILLA
32	15231330	ATTACCO AL SUPPORTO RUOTA	SUPP. WHEEL COUPLING	FIXATION SUPPORT ROUET	KUPPLUNG HALT. KL. RAD	CONEXIN SOP. RUEDECILLA
33	19704701	DECAL.CATENE/INGR.RUOTE ANT.	STICKER	DECALCOMANIE	ABZIEHBILDER	CALCOMANIAS
34	F06080168	SPEZZ.CAT.ISO 10B-1 86 MAGLIE	CUT-DOWN CHAIN .ISO 10B-1 86 -	TRONCON CHAINE ISO 10B-1 86 MA	KETTENLNZGE ISO 10B-1 186 GLIE	TRECHO CADENA ISO 10B-1 86 ESL
34	F06080245	AN.CAT.5/8 94M.ISO 10B-1	ISO 10B-1 CHAIN LINK - 5/8 94-	CHAINE ISO 10B-1 5/8 94 MAI	KETTENRING ISO 10B-1 5/8 94 GL	ESL. CADENA ISO 10B-1 5/8 94 E
35	F06120170	COPERTURA 5.00-15 IM 110 4 PR	COVERING 500-15 IM110 4PR	COUVERTURE 500-15 IM110 4PR	MANTEL 500-15 IM110 4PR	CUBIERTA 500-15 IM110 4PR
35	F06120180	COPERTURA 6.5/80-15 IM 110 4PR	COVERING 6.5/80-15 IM 110 2PR	COUVERTURE 6.5/80-15 IM110 4PR	MANTEL .5/80-15 IM 110 2PR	CUBIERTA 6.5/80-15 IM 110 2PR
35	F06120400	COPERTURA 7.50-16 IM110 8PR TU	COVERING 7.50-16 IM110 8PR TU	COUVERTURE 7.50-16 IM110 8PR T	MANTEL 7.50-16 IM110 8PR TU	CUBIERTA 7.50-16 IM110 8PR TU
36	F06120134	CAMERA 15 L 290	CHAMBER 15 L.290	CHAMBRE 15 L 290	KAMMER 15 L 290	CAMARA 15 L 290

# TAV. 52/203-A

Ingranaggi trasmissione seminatori			
A	Z16	Z23	Z23
B	Z23	Z16	Z23

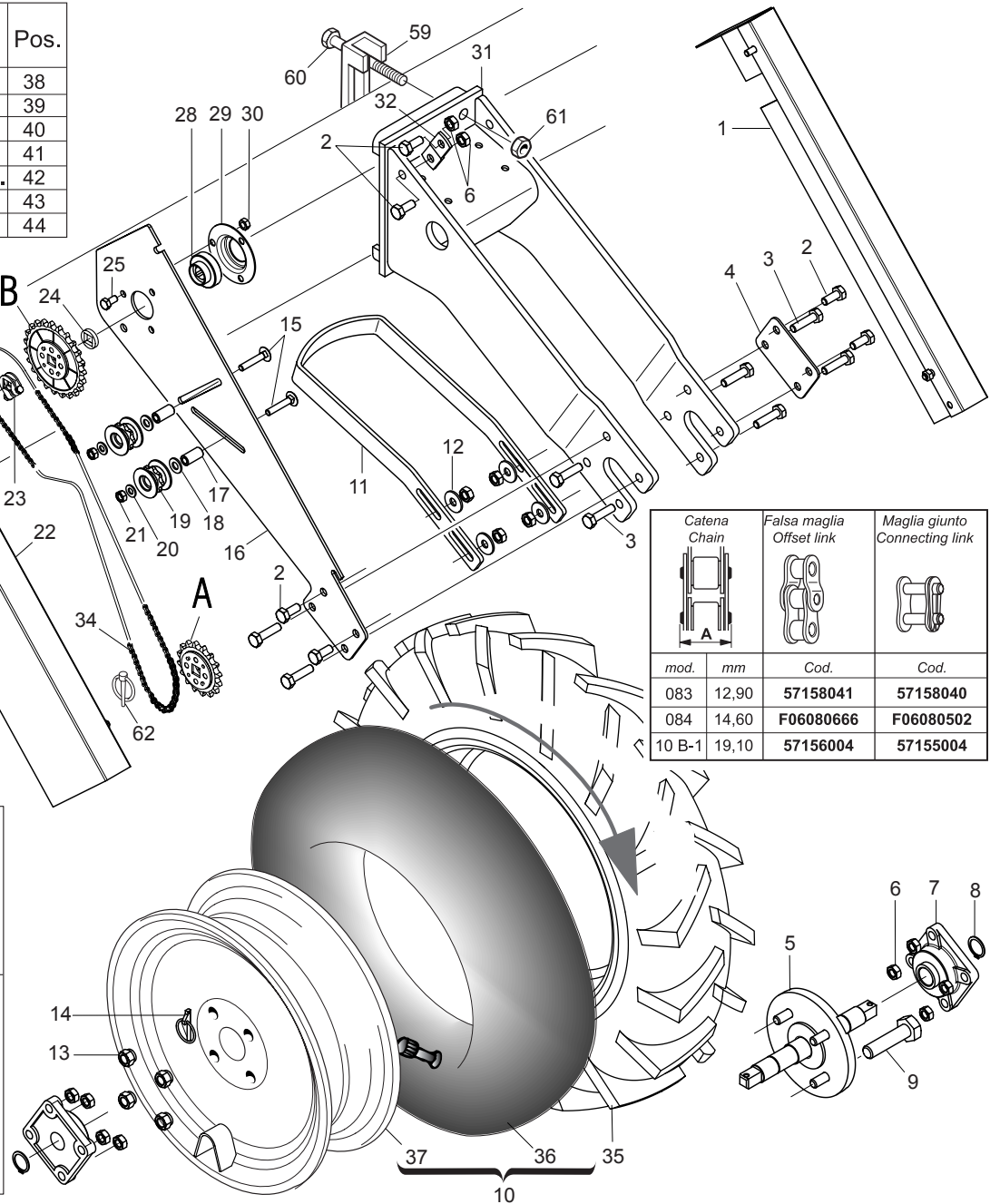
Ingranaggi trasmissione spandiconcime e microgranulatore			
A	Z10	Z15	
B	Z30	Z25	

Ingranaggio	Pos.
Z10	38
Z15	39
Z16	40
Z23	41
Z23 r.l.	42
Z25	43
Z30	44



**< 2004**

<p>Ruote - Wheels □</p> <ul style="list-style-type: none"> <li>- 5.00-15 □</li> <li>- 5.00-12 □</li> <li>- 6.00-16 □</li> </ul>	<p>Ruote - Wheels □</p> <ul style="list-style-type: none"> <li>- 6.50/80-15 □</li> <li>- 7.50-16 □</li> <li>- 20x8.00-10 (*) □</li> <li>- 26x12.00-12 (*) □</li> <li>- 10.0x8/80-12 (*) □</li> <li>- 10.0/75-15.3 (*) □</li> <li>- 13.0/65-18 (*) □</li> </ul> <p>(*) a saldare - by welding</p>
---	--



Catena Chain		Falsa maglia Offset link		Maglia giunto Connecting link	
mod.	mm	Cod.		Cod.	
083	12,90	57158041		57158040	
084	14,60	F06080666		F06080502	
10 B-1	19,10	57156004		57155004	

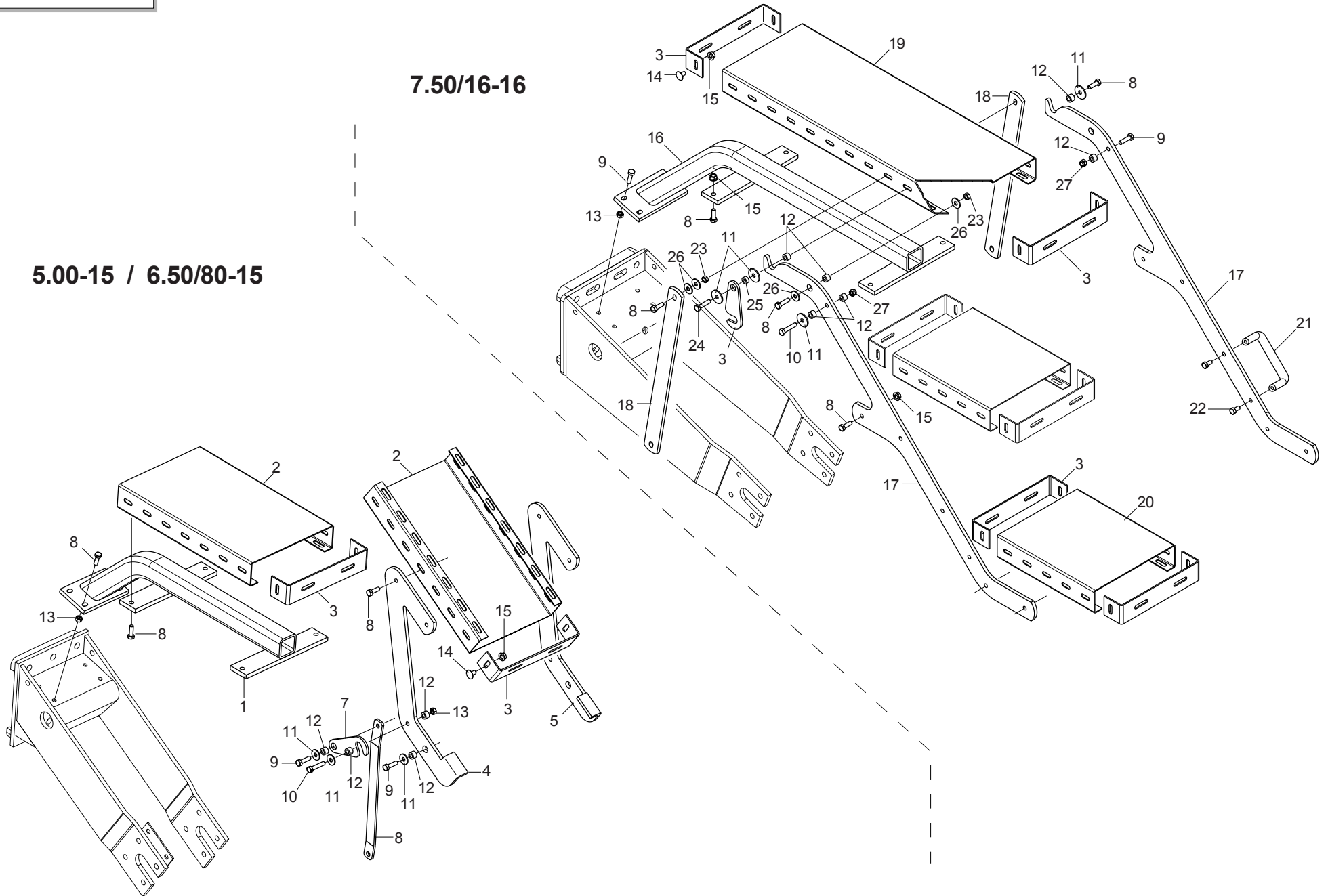
# RUOTE DI TRASMISSIONE ANTERIORI

TAV. 52/203-A

Pos.	Cod.	Descrizione	Description	Description	Benennung	Descrpcion
36	F06120135	CAMERA 15 T 340	CHAMBER 15 T 340	CHAMBRE 15 T 340	KAMMER 15 T 340	CAMARA 15 T 340
36						
37	F06120206	CERCHIO 3.00 D 15 PV RAL 9001	RING 3.00 D 15 PV RAL 9001	JANTE 3.00 D 15 PV RAL 9001	REIFEN 3.00 D 15 PV RAL 9001	LLANTA 3.00 D 15 PV RAL 9001
37	F06120207	CERCHIO 5J 15 H2 PV RAL 9001	RING 5J 15 H2 PV RAL 9001	JANTE 5J 15 H2 PV RAL 9001	REIFEN 5J 15 H2 PV RAL 9001	LLANTA 5J 15 H2 PV RAL 9001
37	F06120208	CERCHIO 7.50-16 PV TU	RING 7.50-16 PV TU	JANTE 7.50-16 PV TU	REIFEN 7.50-16 PV TU	LLANTA 7.50-16 PV TU
38	22220113	INGRANAGGIO Z-10 FERRO	GEAR Z-10 IRON	ENGRENAGE Z-10 FER	ZAHNRAD Z-10 EISEN	ENGRANAJE Z-10 HIERRO
39	16630390	PIGNONE Z-15 ZN	PINION Z-15 ZN	PIGNON Z-15 ZN	RITZE Z-15 ZN	PINION Z-15 ZN
40	16630400	PIGNONE Z-16 ZN.	PINION Z-16 ZN.	PIGNON Z-16 ZN.	RITZE Z-16 ZN.	PINION Z-16 ZN.
41	16630410	PIGNONE Z-23 ZN.	PINION Z-23 ZN.	PIGNON Z-23 ZN.	RITZE Z-23 ZN.	PINION Z-23 ZN.
42	16630370	INGRANAGGIO R.LIBERA Z-23 ZN	FREE WHEEL GEAR Z-23	ENGRENAGE Z-23 ROUE LIBRE	ZAHNRAD FREILAUF Z-23	ENGRANAJE R.LIBRE Z-23
43	16630420	PIGNONE Z-25 ZN.	PINION Z-25 ZN.	PIGNON Z-25 ZN.	RITZE Z-25 ZN.	PINION Z-25 ZN.
44	16630430	PIGNONE Z-30 ZN.	PINION Z-30 ZN.	PIGNON Z-30 ZN.	RITZE Z-30 ZN.	PINION Z-30 ZN.
45	15470851	FIANCO SUPP.TRASM.SPANDI	SPREADER TRANSM. SIDE SUPPORT	COTE SUPPORT TRANSM. EPAND.	SEITEN HALTER. ANTRIEB DUNGERS	COSTADO SOPORTE TRANSM. ABONAD
46	19002830	CARTER TRASMISSIONE SUPERIORE	TOP TRANSMISSION CASE	CARTER ENTRAINEMENT SUPERIEUR	OBERES ANTRIEBSGEHZUSE	CæRTER TRANSMISIN SUPERIOR C
47	19002880	CARTER INFERIORE TRASM.SPAND.	BOTTOM SPREADER TRANSM. CASE	CARTER INFERIEUR TRANSM EPAND.	UNTER. ANTRIEBSGEHZUSE DsNG.GE	CæRTER INFER. TRANSMISIN ABONC
48	22505085	FERMO ASSE IN LAMIERA	PLATE AXLE STOP	ARRET AXE EN TOLE	FESTSTELLVORRICHTUNG BLECHACHS	BLOQUEO EJE DE CHAPA
49	22250007	INGR.CON MOZZO 1/2 Z-20 SV	GEARS- W/ HUB 1/2 Z-20 SV	ENGRENAGE 1/2 Z-20	ZAHNRAD MIT NABE 1/2 Z-20 SV	ENGRAN.CON PERNO 1/2 Z-20 SV
50	F01020436	VITE 8 X20 5739 8.G ZN	BOLT 8X20 5739 8.G GALVANIZED	VIS 8X20 5739 8.G ZN	SCHRAUBE 8X20 5739 8.G ZN	TORNILLO 8X20 5739 8.G ZN
51	F01070074	VITE 4.2X25 DIN 7981	BOLT 4-2X25 DIN 7981	VIS 4-2X25 DIN 7981	SCHRAUBE 4-2X25 DIN 7981	TORNILLO 4-2X25 DIN 7981
52	F01420011	ROND.PIANA 4,3X 16X1,5 6593 ZN	FLAT WASHER 4-3X 16X1-5 6593 G	ROND.PLATE 4-3X 16X1-5 6593 ZN	SCHRAUBE 4-3X 16X1-5 6593 ZN	ARAND. PLANA 4-3X 16X1-5 6593
53	F06080216	AN.CAT.1/2-3/16 66 MAGLIE	CHIAN SECT.1/2/3/16 66 LINKS			
54	66248207	TENDICATENA SPAND. SP-520	CHAIN TENSIONER	TENDEUR DE CHAINE EPAND. ENGR.	KETTENSPANNER DsNGERSTR. SP-52	SENSOR DE CADENA ABON. SP-520
55	20870028	ASSE SERB.LATO TRAS.6F.L.1800	AXLE- GEARBOX SIDE- 6-ROW L.18	AXE RESERVOIR COTE ENTRAINEMEN	ACHSE BEHZLTER ANTRIEBSS. 6F.L	EJE DEPS. LADO TRANS. 6 FILA A
55	22230138	ASSE CAMBIO 4F.80-6F.45 L.1000	GEAR SPINDLE 4-ROW 80- 6-ROW.4	AXE BOITE DE VITESSE 4 RA	GETRIEBEACHSE 4 R. 80-6 R.45 L	EJE CAMBIO 4 FILAS. 80-6 FILAS
55	22230142	ASSE 4 FILE L.800	4-ROW SPINDLE L.800	AXE 4 RANGEES L. 800	ACHSE 4 REIHEN B. 800	EJE 4 FILAS L.800
55	22230140	ASSE SEMINAT.4F.CM.80 L.1200	AXLE- 4-ROW SEEDER MACH. 80 CM	AXE SEMEUR 4 RANGEES CM. 80 L.	ACHSE SZAELEMENT 4R.CM.80 L.12	EJE SEMBR. 4 FILAS. CM.80 L.12
56	15272470	PIASTRA PROLUNGA TRASM.SPAND.	TRANSMISSION EXTENSION PLATE	PLAQUE RALL. TRANSMISSION	VERL.PLATTE GETRIEBE	PLACA PROL. TRANSMISIEN
57	15473080	CARTER RINVIO DA ANT.A POST.	INTERMEDIATE CASE	CARTER TRANSMISSION	VORGELEGEGEHZUSE	CµRTER TRANSMISIN C
58	F06080038	CATENA 1/2 ISO 083 74 MAGLIE	CHAIN 1/2 ISO 083 74 LINKS	CHAINE 1/2 ISO 083 74 MAILLES	KETTE 1/2 ISO 083 94 GLIEDER	CADENA 1/2 ISO 083 74 ESLABNEL
59	15110091	SCONTRO A U	STRIKER	BRIDE 150 MM	ANSCHLAG	ELEMENTO DE EMPALME
60	41602124	VITE 14X220 5737 8.G ZN	BOLT 14X220 5737 8.G GALVANIZ.	VIS 14X220 5737 8.G ZN	SCHRAUBE 14X220 5737 8.G ZN	TORNILLO 14X220 5737 8.G ZN
60	41601101	VITE 14 X160 5737 8.G	BOLT M 14 X160 5737 8.G	VIS M 14 X160 5737 8.G	SCHRAUBE M 14 X160 5737 8.G	TORNILLO M 14 X160 5737 8.G
61	F01200306	DADO 14 5588 6.8 ZN	NUT 14 UNI 5588 6.8 GALVANIZED	ECROU 14 UNI 5588 6.8 ZN	MUTTER 14 UNI 5588 6.8 ZN	TUERCA 14 UNI 5588 6.8 ZN
62	F02200452	SPINA A SCATTO D.4,4 B/80	SNAP PIN D.4-4 B/80	FICHE A DETENTE D. 4-4 B/80	EINRASTSTIFT D 4-4 B/80	CLAVIJA DE MUELLE D.4-4 B/80
63	16630460	PROTEZIONE VALVOLA R5.00	VALVE GUARD R5.00	PROTECTION SOUPAPE R5.00	VENTILSCHUTZ R5.00	PROTECIEN V+LVULA R5.00
64	16630470	PROTEZIONE VALVOLA R6.50	VALVE GUARD R6.50	PROTECTION SOUPAPE R6.50	VENTILSCHUTZ R6.50	PROTECIEN V+LVULA R6.50
65	F01020440	VITE 8 X25 5739 8.G ZN	BOLT 8X25 5739 8.G GALVANIZED	VIS 8X25 5739 8.G ZN	SCHRAUBE 8X25 5739 8.G ZN	TORNILLO 8X25 5739 8.G ZN
66	F01230034	DADO AUTOB.NOR.8 ZN	NORMAL SELF-LOCKING NUT 8 GALV	ECROU AUTOB. NOR. 8 ZN	SELBSTSP. MUTTER NOR. 8 ZN	TUERCA AUTOB. NOR. 8 ZN

7.50/16-16

5.00-15 / 6.50/80-15

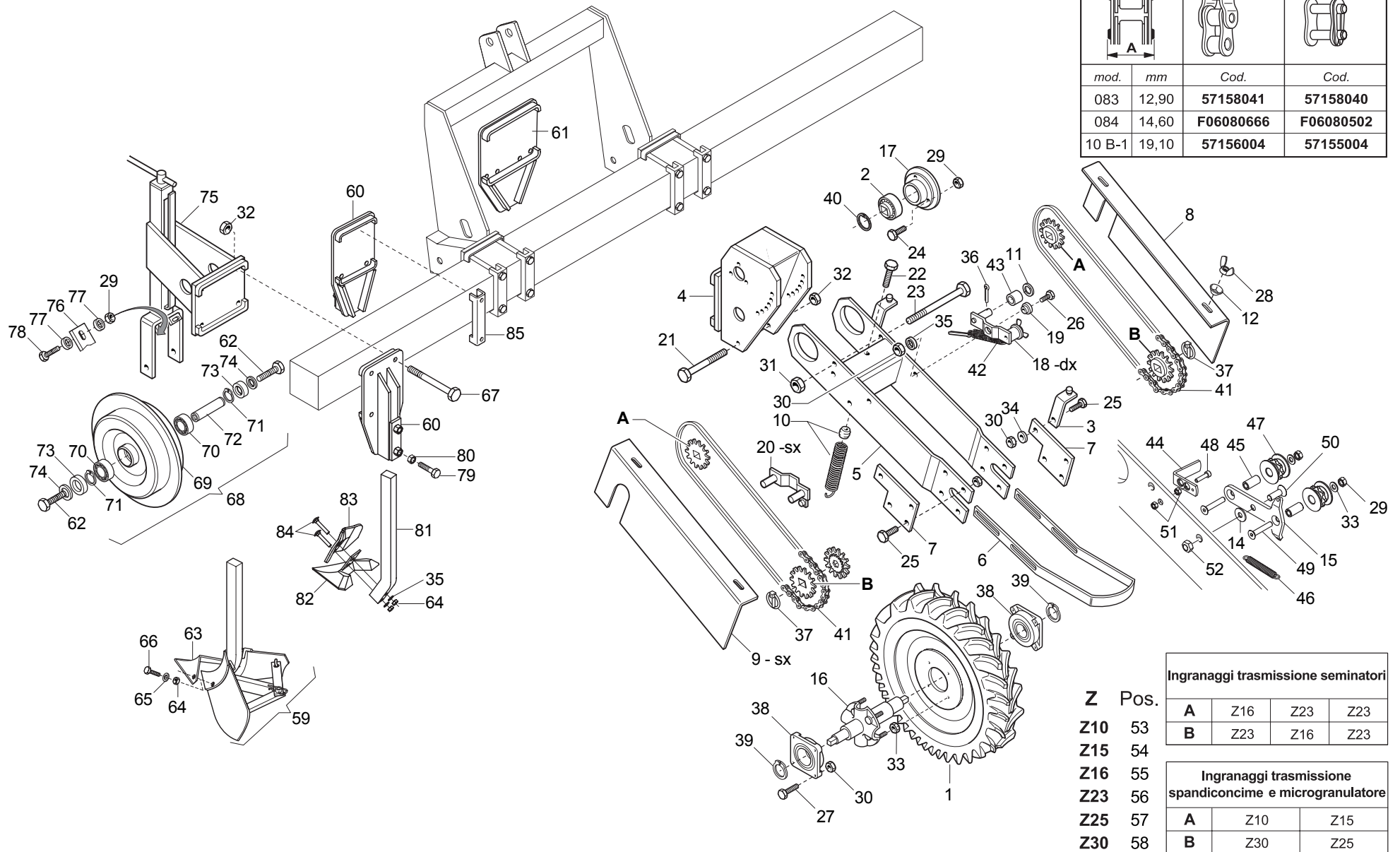


# SCALETTA RUOTE PORTANTI

TAV. 52/410

Pos.	Cod.	Descrizione	Description	Description	Benennung	Descripcion
1	15171840	SUPPORTO SCALETTA R.5/6,5	STEP LADDER SUPPORT R.5/6,5	SUPPORT ECHELLE R.5/6,5	STUFENHALTERUNG R.5/6,5	SOPORTE ESCALERILLA R.5/6,5
2	15312290	GRADINO	STEP	MARCHE	STUFE	ESCALN T
3	07000379	TERMINALE PEDANA ZN	GALVANIZED PLATFORM END	PIECE TERMINALE MARCHEPIED ZN	LAUFSTEGABSCHLUSS ZN	TERMINAL PLATAFORMA ZN
4	16013510	SUPPORTO SX PEDANA	LH FOOTPLATE SUPPORT	SUPPORT GCH.MARCHEPIED	TRITTBRETTHALTERUNG LI	SOPORTE IZQ. PLATAFORMA
5	16013500	SUPPORTO DX PEDANA	RH FOOTPLATE SUPPORT	SUPPORT DRT. MARCHEPIED	RE TRITTBRETTHALTERUNG	SOPORTE DER. PLATAFORMA
6	15211540	SUPPORTO SX SCALETTA	LEFT SUPPORT	SUPPORT GCH	HALTERUNG LI	SOPORTE IZQ
7	15171791	FERMO SCALETTA ZN	RAMP STOP	BUTEE PETITE ECHELLE	LEITERSPERRE	BLOQUEO ESCALERA
8	F01020440	VITE 8 X25 5739 8.G ZN	BOLT 8X25 5739 8.G GALVANIZED	VIS 8X25 5739 8.G ZN	SCHRAUBE 8X25 5739 8.G ZN	TORNILLO 8X25 5739 8.G ZN
9	F01020445	VITE 8 X30 5739 8.G ZN	BOLT 8X30 5739 8.G GALVANIZED	VIS 8X30 5739 8.G ZN	SCHRAUBE 8X30 5739 8.G ZN	TORNILLO 8X30 5739 8.G ZN
10	F01020450	VITE 8 X40 5739 8.G ZN	BOLT 8X40 5739 8.G GALVANIZED	VIS 8X40 5739 8.G ZN	SCHRAUBE 8X40 5739 8.G ZN	TORNILLO 8X40 5739 8.G ZN
11	F01420049	ROSETTA M8 8,4X32X2 U6593 ZG	WASHER M8 8,4X32X2 U6593 ZG	RONDELLE M8 8,4X32X2 U6593 ZG	SCHEIBE M8 8,4X32X2 U6593 ZG	ARANDELA M8 8,4X32X2 U6593 ZG
12	18801580	BOCCOLA 8,5 X15 X10 ZN	BUSH 8.5 X15 X10	DOUILLE 8,5 X15 X10	BUCHSE 8,5 X15 X10	MANGUITO 8,5 X15 X10
13	F01200244	DADO 8 5588 6.8 ZN	NUT 8 UNI 5588 6.8 GALVANIZED	ECROU 8 UNI 5588 6.8 ZN	MUTTER 8 UNI 5588 6.8 ZN	TUERCA 8 UNI 5588 6.8 ZN
14	F01030495	VITE TTCN 90' M8X16 ZN	TTCN 90' BOLT M8X16 GALVANIZED	VIS TTCN 90' M8X16 ZN	SCHRAUBE TTCN 90' M8X16 ZN	TORNILLO TTCN 90' M8x16 ZN
15	F01260043	DADO FLANG.M8 DIN 6923 8.8 ZN	FLANGE NUT M8 DIN 6923 8.8 GAL	ECROU BRIDE .M8 DIN 6923 8.8 Z	GEFLANSCHTE MUTTER M8 DIN6923	TUERCA BRIDA M8 DIN 6923 8.8 Z
16	15171750	SUPPORTO PEDANA	FOOTBOARD SUPPORT	SUPPORT MARCHEPIED	TRITTBRETTHALTERUNG	SOPORTE PLATAFORMA
17	15171781	FIANCO SUPPORTO PEDANE	PLATFORM SUPPORT	SUPPORT MARCHEPIED	LAUFSTEGHALTERUNG	SOPORTE PLATAFORMAS COMPLETO
18	15171800	APPOGGIO DI RINFORZO	REINFORCEMENT REST	REPOSE DE RENFORCEMENT	VERSTZRKUNGSAUFLAGE	APOYADOR DE REFUERZO
19	15171760	PEDANA 250X720X60 SP2 ZN	PLATFORM 250X720X60 SP2 ZN	MARCHEPIED 250X720X60 SP2 ZN	TRITTBRETT 250X720X60 SP2 ZN	PLATAFORMA 250X720X60 SP2 ZN
20	15171770	PEDANA 250X300X60 SP2 ZN				
21	67008045	MANIGLIA	HANDLE	POIGNEE	GRIFF	MANIJA
22	F01020432	VITE 8 X16 5739 8.G ZN	BOLT 8X16 5739 8.G GALVANIZED	VIS 8X16 5739 8.G ZN	SCHRAUBE 8X16 5739 8.G ZN	TORNILLO 8X16 5739 8.G ZN
23	F01220222	DADO TRISTOP M 8	NUT- TRISTOP M 8	ECROU TRISTOP M 8	MUTTER TRISTOP M 8	TUERCA TRISTOP M 8
24	F01020449	VITE 8 X35 5739 8.G ZN	BOLT 8X35 5739 8.G GALVANIZED	VIS 8X35 5739 8.G ZN	SCHRAUBE 8X35 5739 8.G ZN	TORNILLO 8X35 5739 8.G ZN
25	20980050	BOCCOLA 15X7X8,5 ZN	BUSHING 15X7X8-5 ZN	BOITE 15X7X8-5 ZN	BsCHSE 15X7X8-5 ZN	CASQUILLO 15X7X8-5 ZN
26	F01420048	ROND.PIANA 9X 24X2 6593 ZN	FLAT WASHER 9X 24X2 6593 GALV.	ROND. PLATE 9X 24X2 6593 ZN	SCHEIBE 9X 24X2 6593 ZN	ARAND. PLANA 9X 24X2 6593 ZN
27	F01230034	DADO AUTOB.NOR.8 ZN	NORMAL SELF-LOCKING NUT 8 GALV	ECROU AUTOB. NOR. 8 ZN	SELBSTSP. MUTTER NOR. 8 ZN	TUERCA AUTOB. NOR. 8 ZN

**SEMINA SU COLMI**



Catena Chain		Falsa maglia Offset link		Maglia giunto Connecting link	
mod.	mm	Cod.		Cod.	
083	12,90	<b>57158041</b>		<b>57158040</b>	
084	14,60	<b>F06080666</b>		<b>F06080502</b>	
10 B-1	19,10	<b>57156004</b>		<b>57155004</b>	

Ingranaggi trasmissione seminatori					
Z	Pos.	A	Z16	Z23	Z23
Z10	53	A	Z16	Z23	Z23
Z15	54	B	Z23	Z16	Z23

Ingranaggi trasmissione spandiconcime e microgranulatore					
Z	Pos.	A	Z10	Z15	Z15
Z25	57	A	Z10	Z15	Z15
Z30	58	B	Z30	Z25	Z25

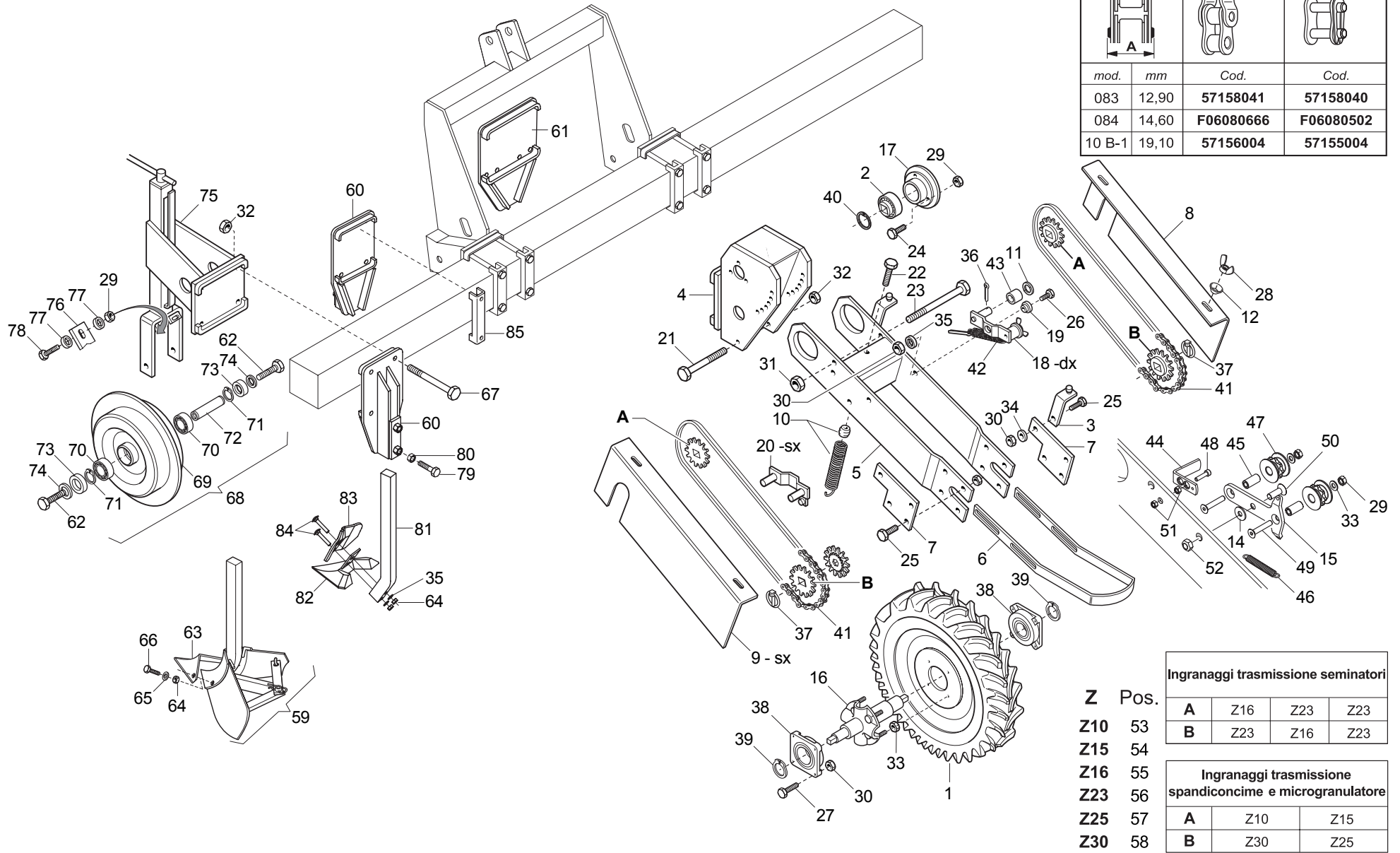


**SEMINA SU COLMI**

**TAV. 52/291**

Pos.	Cod.	Descrizione	Description	Description	Benennung	Description
1	F06120113	RUOTA COMPL.5.00-15 6PR DX	COMPL. WHEEL 5.00-15 6PR RH.	ROUE COMPL. 5.00-15 6PR DRT.	RAD KOMPL.5.00-15 6PR RE	RUEDA COMPL.5.00-15 6PR DER.
2	14830390	CUSCINETTO FORO QUADRO	SQUARE-HOLED BEARING	ROULEMENT AL+SAGE CARR+	VIERKANTLAGER	COJINETE ORIFICIO CUADRADO
3	15430110	SUPPORTO CARTER	CASE SUPPORT	SUPPORT CARTER	HALTERUNG GEHZUSE	SOPORTE CæRTER
4	15430751	ATTACCO RUOTE REGOLABILI	ADJUSTABLE WHEELS COVER	FIXATION ROUES REGLABLES	REGULIERBARE RADKUPPLUNG	CONEXIN RUEDAS REGULABLES
5	15430780	SUPPORTO RUOTA REGOLABILE	ADJUSTABLE WHEEL SUPPORT	SUPPORT ROUE REGLABLE	REGULIERBARES RADLAGER	SOPORTE RUEDA REGULABLE
6	15430920	RASCHIATERRA	SOIL SCRAPER	RACLEUR	ERDSCHABER	RASCADOR DE TIERRA
7	15430930	SUPPORTO RASCHIATERRA	SOIL SCRAPER SUPPORT	SUPPORT RACLEUR	HALTERUNG ERDSCHABER	SOPORTE RASCADOR TIERRA
8	15430980	CARTER	CASE	CARTER	GEHZUSE	CæRTER
9	15431050	CARTER SX RUOTA REGOLABILE	ADJUSTABLE LEFT WHEEL CASE	CARTER GCH ROUE REGLABLE	GEHZUSE LI REGULIERBARES RAD	CæRTER IZQ RUEDA REGULABLE
10	15431180	MOLLA RUOTE REGOLABILI	ADJUSTABLE WHEEL SPRING	RESSORT ROUES REGLABLES F	EDER EINSTELLB. RZDER M	UELLE RUOTAS REGULABLES A
11	20970085	RONDELLA 40X4X13	WASHER 40X4X13	RONDELLE 40X4X13	UNTERLEGSSCHEIBE 40X4X13	ARANDELA 40X4X13
12	22220083	RONDELLA AD IMBOCCO	LEAD-IN WASHER	RONDELLE EMBOUTIE	TRICHTERSCHEIBE	ARANDELA DE MUESCA
13	F01410051	RONDELLA D8 UNI 6592 ZN	WASHER D8 UNI 6592 GALVANIZED	RONDELLE D8 UNI 6592 ZN	UNTERLEGSSCHEIBE D8 UNI 6592 ZN	ARANDELA D8 UNI 6592 ZN
14	F01420061	RONDELLA 11X40X2,5 6593 ZN	WASHER 11X40X2,5 6593 ZN	RONDELLE 11X40X2,5 6593 ZN	UNTERLEGSSCHEIBE 11X40X2,5 6593	ARANDELA 11X40X2,5 6593 ZN
15	15830460	TENDICATENA SEM. R	SEEDER CHAIN TIGHTENER R	TENDEUR DE CHAINE SEMEUR R	KETTENSPELLER SZELEMENT R	TENSOR DE CADENA SEMBRADOR R
16	22270280	ASSE RUOTA TRASM.NORMALE SP/S	NORMAL DRIVE WHEEL AXLE	AXE ROUE ENTRAINEMENT 5.00-15	RADACHSE NORMALER ANTRIEB SP/S	EJE RUEDA TRANS. NORMAL SP/S
17	22310011	FLANGIA CAMBIO DP	GEARBOX FLANGE DP	BRIDE BOITE DE VITESSE DP	FLANSCH GETRIEBE DP	BRIDA CAMBIO DP
18	22310016	TENDICATENA DX TRASM.RUOTA DP	WHEEL TRANSM. RIGHT CHAIN TIGH	TEND. DE CH. DRT. ENTRAIN ROUE	RECHTER KETTENSPELLER RADANTRI	TENSOR DE CADENA DER. TRANSM.R
19	22310017	BOCCOLA TENDICATENA DP	BUSHING- CHAIN DP	BOITE TENDEUR DE CHAINE DP	BsCHSE KETTENSPELLER DP	CASQUILLO TENSOR DE CADENA DP
20	22310027	TENDICATENA SX TRASM.RUOTA DP	LH TRANSM.WHEEL CHAIN TIGHT.DP	TEND.CHAINE GCH.TRANS.ROUE DPL	I. KETTENSPELLER ANTR.RAD DP T	ENSOR DE CADENA IZQ TRANSM.RUI
21	41601125	VITE 14X180 5737 8.G	SCREW 14X180 5737 8.G	SCREW 14X180 5737 8.G	SCHRAUBE 14X180 5737 8.G	TORNILLO 14X180 5737 8.G
22	F01020256	VITE 16X60 5737 8.G ZN	BOLT 16X60 5737 8.G GALVANIZED	VIS 16X60 5737 8.G ZN	SCHRAUBE 16X60 5737 8.G ZN	TORNILLO 16X60 5737 8.G ZN
23	F01020187	VITE 12X190 5737 8.G ZN	BOLT 12X190 5737 8.G GALVANIZ	VIS 12X190 5737 8.G ZN	SCHRAUBE 12X190 5737 8.G ZN	TORNILLO 12X190 5737 8.G ZN
24	F01020449	VITE 8 X35 5739 8.G ZN	BOLT 8X35 5739 8.G GALVANIZED	VIS 8X35 5739 8.G ZN	SCHRAUBE 8X35 5739 8.G ZN	TORNILLO 8X35 5739 8.G ZN
25	F01020472	VITE 10X25 5739 8.G ZN	BOLT 10X25 5739 8.G GALVANIZED	VIS 10X25 5739 8.G ZN	SCHRAUBE 10X25 5739 8.G ZN	TORNILLO 10X25 5739 8.G ZN
26	F01020476	VITE 10X30 5739 8.G ZN	BOLT 10X30 5739 8.G GALVANIZED	VIS 10X30 5739 8.G ZN	SCHRAUBE 10X30 5739 8.G ZN	TORNILLO 10X30 5739 8.G ZN
27	F01020479	VITE 10X35 5739 8.G ZN	BOLT 10X35 5739 8.G GALVANIZED	VIS 10X35 5739 8.G ZN	SCHRAUBE 10X35 5739 8.G ZN	TORNILLO 10X35 5739 8.G ZN
28	F01240024	DADO 8 5448 5.8 ZN	NUT 8 UNI 5448 5.8 ZN	ECROU 8 UNI 5448 5.8 ZN	MUTTER 8 UNI 5448 5.8 ZN	TUERCA 8 UNI 5448 5.8 ZN
29	F01200244	DADO 8 5588 6.8 ZN	NUT 8 UNI 5588 6.8 GALVANIZED	ECROU 8 UNI 5588 6.8 ZN	MUTTER 8 UNI 5588 6.8 ZN	TUERCA 8 UNI 5588 6.8 ZN
30	F01200270	DADO 10 5588 6.8 ZN	SCREW 10 UNI 5588 6.8 GALVANIZ	ECROU 10 UNI 5588 6.8 ZN	MUTTER 10 UNI 5588 6.8 ZN	TUERCA 10 UNI 5588 6.8 ZN
31	F01200293	DADO 12 5588 6.8 ZN	NUT 12 UNI 5588 6.8 GALVANIZED	ECROU 12 UNI 5588 6.8 ZN	MUTTER 12 UNI 5588 6.8 ZN	TUERCA 12 UNI 5588 6.8 ZN
32	F01200306	DADO 14 5588 6.8 ZN	NUT 14 UNI 5588 6.8 GALVANIZED	ECROU 14 UNI 5588 6.8 ZN	MUTTER 14 UNI 5588 6.8 ZN	TUERCA 14 UNI 5588 6.8 ZN
33	F01250040	DADO 12X1.5 COLONNETTA	COLUMN NUT M12X1.5 STUD BOLT	ECROU M12X1.5 COLONNE	SCHRAUBBOLZENMUTTER M12X1.5	TUERCA 12X1.5 COLUMNA
34	F01420060	ROND.PIANA 11X30X2,5 6593 ZN	FLAT WASHER 11X30X2-5 6593 ZN	ROND.PLATE 11X30X2-5 6593 ZN	SCHLEIFE 11X30X2-5 6593 ZN	ARAND. PLANA 11X30X2-5 6593 ZN
35	F01430023	RONDELLA D10 DIN 6798 D.INT.ZN	WASHER D10 DIN 6798 D.INT.ZN	RONDELLE D10 DIN 6798 D. INT.	UNT. SCHEIBE D10 DIN 6798 D.IN	ARANDELA D10 DIN 6798 D.INT.ZN
36	F02200162	COPIGLIA 3 X20 1336 ZN	SPLIT PIN 3 X20 1336 GALVAN.	GOUPIILLE 3 X20 1336 ZN	SPLINT 3 X20 1336 ZN	PASADOR 3 X20 1336 ZN
37	F02200452	SPINA A SCATTO D.4,4 B/80	SNAP PIN D.4-4 B/80	FICHE A DETENTE D. 4-4 B/80	EINRASTSTIFT D 4-4 B/80	CLAVIJA DE MUELLE D.4-4 B/80
38	F04100137	SUPPORTO FY 25 TF	SUPPORT FY 25 TF	SUPPORT FY 25 TF	HALTERUNG FY 25 TF	SOPORTE FY 25 TF
39	F02050613	ANELLO ARR.25 UNI 7435-75	STOP RING 25 UNI 7435-75	BAGUE DE SERRAGE 25 UNI 7435-7	DRAHTSPRENGRING 25 UNI 7435-75	ANILLO PARADA 25 UNI 7435-75
40	F02050631	ANELLO ARR.47 UNI 7437-75	STOP RING 47 UNI 7437-75	BAGUE ARRET 47 UNI 7437-75	RING 47 UNI 7437-75	ANILLO PARADA 47 UNI 7437-75
41	F06080170	SPEZ.CAT.ISO 10B-1 98 MAGLIE	CUT-DOWN CHAIN .ISO 10B-1 98 -	TRONCON CHAINE ISO 10B-1 98 MA	KETTENZANGE ISO 10B-1 98 GLIED	TRECHO CADENA ISO 10B-1 98 ESL
42	65337035	MOLLA TENDICATENA RUOTA DP	CHAIN TIGHTENER SPRING DP	RESSORT TENDEUR DE CHAINE ROUE	FEDER KETTENSPELLER RAD DP	MUELLE TENSOR DE LA CADENA RUE
43	66248100	RULLO TEND. SP	TIGHTENER ROLLER SP	ROULEAU TENDEUR SP	SPANNERROLLE SP	RODILLO TENSOR SP
44	17130140	LEVA CAMBIO	GEAR LEVER	LEVIER BOITE DE VITESSE	GETRIEBE HEBEL	PALANCA DE CAMBIO
45	18802610	BOCCOLA 8,1X14X28 INOX	BUSHING 8,1X14X28 INOX	BOITE 8,1X14X28 INOX	BUCHSE 8,1X14X28 INOX	MANGUITO 8,1X14X28 INOX
46	18902970	MOLLA TRAZ.CAMBIO ZN SP	GALVAN. GEAR TRACT. SPRING SP	RESS. TRACT. BOITE VITESSE ZN	ZUGFEDER GETRIEBE ZN SP	MUELLE TRAC. CAMBIO ZN SP
47	19005070	INGRANAGGIO TENDICATENA Z8	CHAIN TIGHTENER GEAR	ENGRENAGE TENDEUR DE CHAINE	KETTENSPELLER ZAHNRAD	ENGRANAJE TENSOR DE LA CADENA
48	F01040064	VITE 6 X25 5931 ZN	BOLT 6 X25 5931 8.G GALVANIZ.	VIS 6 X25 5931 8.G ZN	SCHRAUBE 6 X25 5931 8.G ZN	TORNILLO 6 X25 5931 8.G ZN
49	F01030061	VITE M 8X1,25X 45 U5933 8.8 ZG				
50	F01030086	VITE 10X30 5933 8.G ZN	GALVAN. SCREW 10X30 5933 8.G	VIS 10X30 5933 8.G ZN	SCHRAUBE 10X30 5933 8.G ZN	TORNILLO 10X30 5933 8.G ZN
51	F01200232	DADO 6 5588 6.8 ZN	NUT 6 UNI 5588 6.8 GALVANIZED	ECROU 6 UNI 5588 6.8 ZN	MUTTER 6 UNI 5588 6.8 ZN	TUERCA 6 UNI 5588 6.8 ZN
52	F01220233	DADO TRISTOP M10	NUT TRISTOP M10	ECROU TRISTOP M10	MUTTER TRISTOP M10	TUERCA TRISTOP M10
53	22220113	INGRANAGGIO Z-10 FERRO	GEAR Z-10 IRON	ENGRENAGE Z-10 FER	ZAHNRAD Z-10 EISEN	ENGRANAJE Z-10 HIERRO
54	16630390	PIGNONE Z-15 ZN	PINION Z-15 ZN	PIGNON Z-15 ZN	RITZE Z-15 ZN	PINION Z-15 ZN
55	16630400	PIGNONE Z-16 ZN.	PINION Z-16 ZN.	PIGNON Z-16 ZN.	RITZE Z-16 ZN.	PINION Z-16 ZN.

**SEMINA SU COLMI**



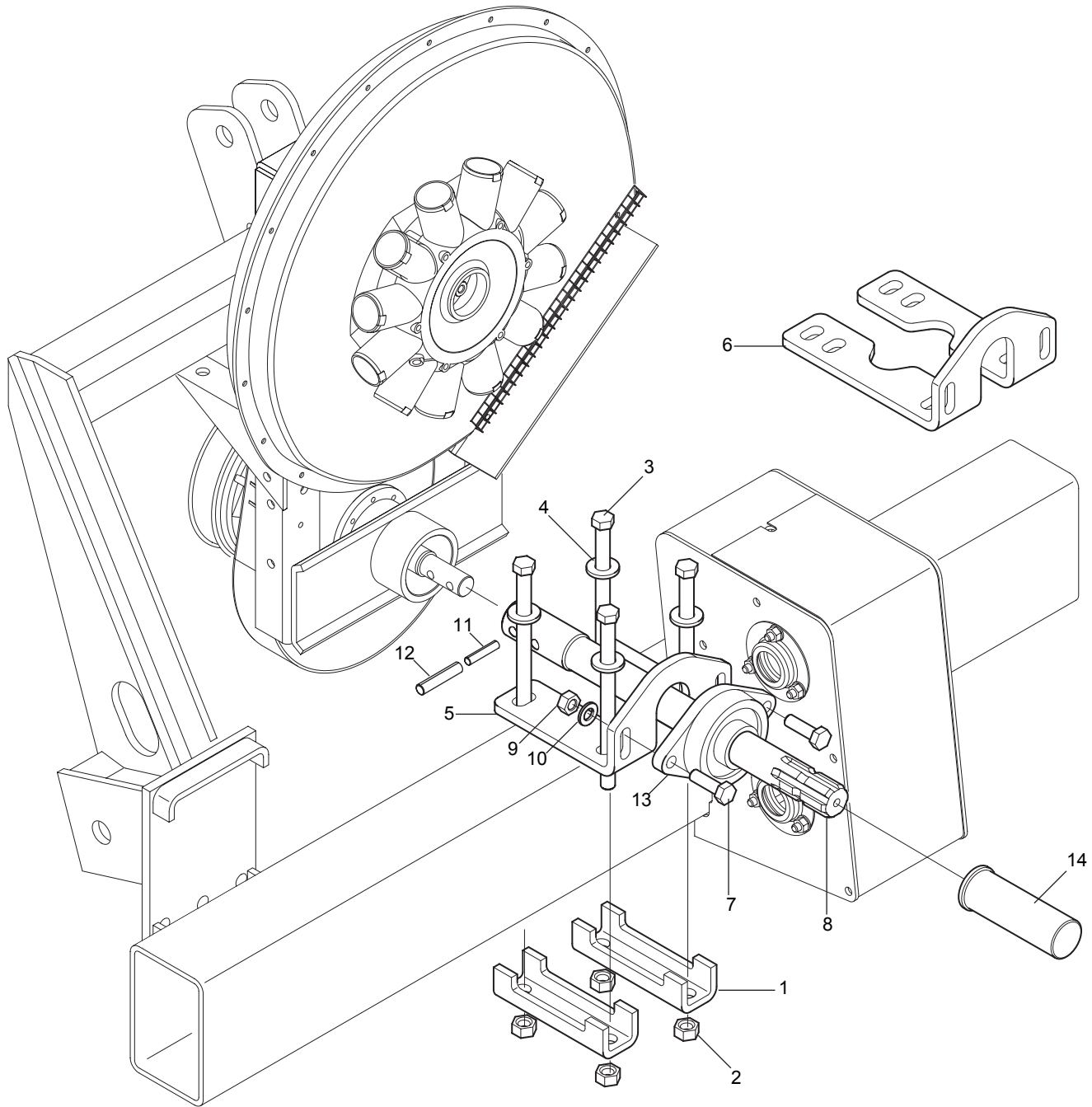
Catena Chain	Falsa maglia Offset link	Maglia giunto Connecting link	
mod.	mm	Cod.	Cod.
083	12,90	<b>57158041</b>	<b>57158040</b>
084	14,60	<b>F06080666</b>	<b>F06080502</b>
10 B-1	19,10	<b>57156004</b>	<b>57155004</b>

Ingranaggi trasmissione seminatori					
Z	Pos.	A	Z16	Z23	Z23
Z10	53	A	Z16	Z23	Z23
Z15	54	B	Z23	Z16	Z23

Ingranaggi trasmissione spandiconcime e microgranulatore							
Z	Pos.	A	Z10	Z15	B	Z30	Z25
Z16	55	A	Z10	Z15	B	Z30	Z25
Z23	56						
Z25	57						
Z30	58						

**SEMINA SU COLMI**
**TAV. 52/291**

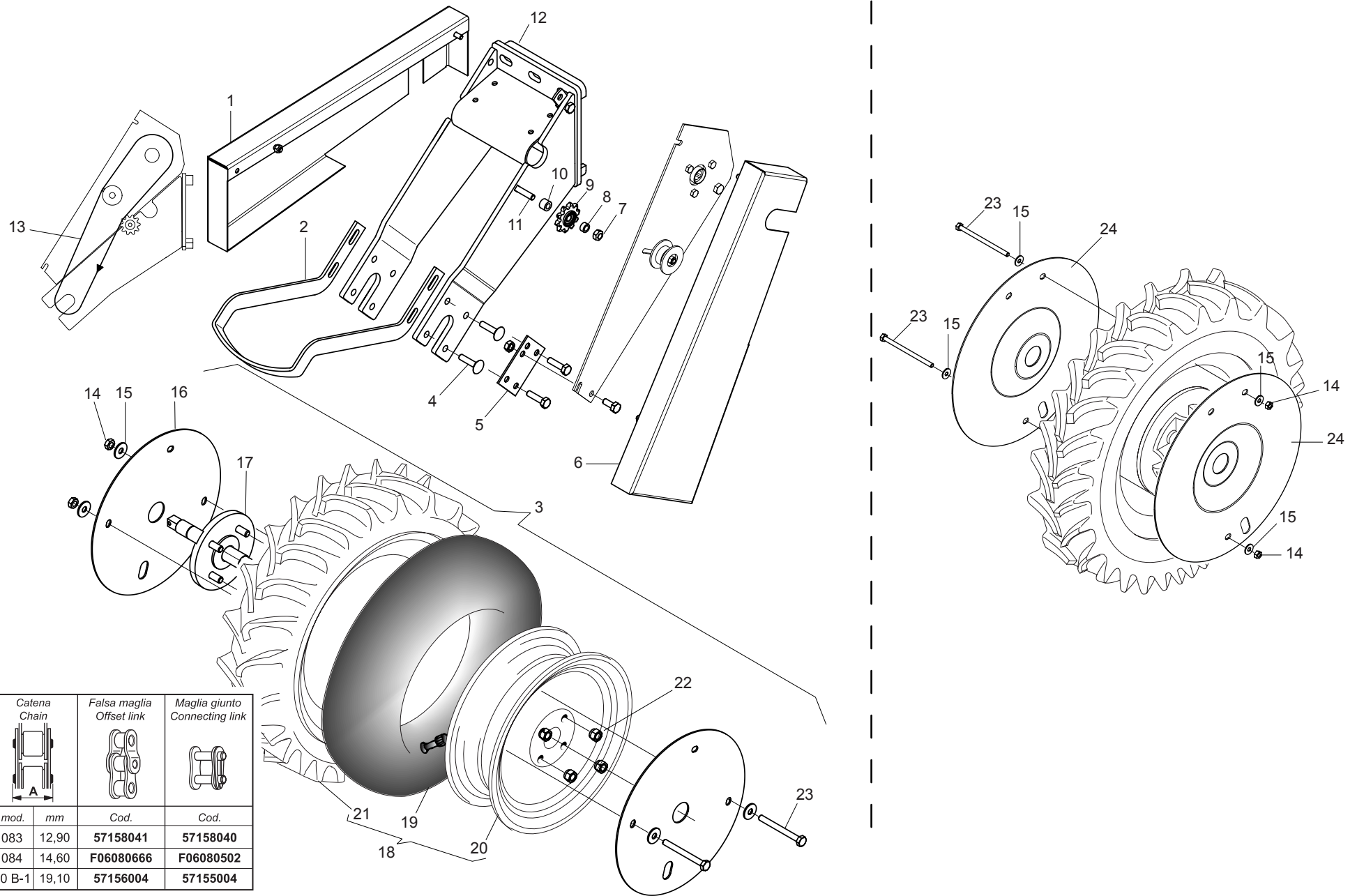
Pos.	Cod.	Descrizione	Description	Description	Benennung	Descripcion
56	16630410	PIGNONE Z-23 ZN.	PINION Z-23 ZN.	PIGNON Z-23 ZN.	RITZE Z-23 ZN.	PINION Z-23 ZN.
57	16630420	PIGNONE Z-25 ZN.	PINION Z-25 ZN.	PIGNON Z-25 ZN.	RITZE Z-25 ZN.	PINION Z-25 ZN.
58	16630430	PIGNONE Z-30 ZN.	PINION Z-30 ZN.	PIGNON Z-30 ZN.	RITZE Z-30 ZN.	PINION Z-30 ZN.
59	13643080	RINCALZATORE ALI REGOLABILI	ADJUSTABLE WING RIDGE PLOUGH	BUTTOIR AILETTES REGL.	ABDECKER EINSTELLBARE FLsGEL	RECALZADOR ALETAS REGUL.
60	15430842	SUPPORTO RINCALZATORE LATERALE	RIDGER SUPPORT	SUPPORT HACHOIR	HALTERUNG HZUFLETER	SOPORTE RUEDA RECALZADOR
61	15431001	SUPPORTO RINCALZATORE CENTRALE	CENTRAL RIDGER SUPPORT	SUPPORT HACHOIR CENTRAL	HALTERUNG MITTLERER HZUFLETER	SOPORTE RECALZADOR CENTRAL
62	F01020514	VITE 12X40 5739 8.G ZN	BOLT 12X40 5739 8.G GALVANIZED	VIS 12X40 5739 8.G ZN	SCHRAUBE 12X40 5739 8.G ZN	TORNILLO 12X40 5739 8.G ZN
63	23410118	PUNTA RINCALZATORE	RIDGING PLOUGH TIP	POINTE BUTTOIR	ABDECKERSPITZE	PUNTA RECALZADOR
64	F01200269	DADO 10 5588 6.8	NUT 10 UNI 5588 6.8	ECROU 10 UNI 5588 6.8	MUTTER 10 UNI 5588 6.8	TUERCA 10 UNI 5588 6.8
65	F01410064	RONDELLA D10 UNI 6592 ZN	WASHER D10 UNI 6592 GALVANIZED	RONDELLE D10 UNI 6592 ZN	UNTERLEGSSCHEIBE D10 UNI 6592 Z	ARANDELA D10 UNI 6592 ZN
66	F01060112	BULLONE 10X30 6104 4.6 *	BOLT 10X30 6104 4.6	BOULON 10X30 6104 4.6 *	SCHRAUBE 10X30 6104 4.6 *	PERNO 10X30 6104 4.6 *
67	F01020232	VITE 14X200 5737 8.G ZN	BOLT 14X200 5737 8.G GALVANIZ.	VIS 14X200 5737 8.G ZN	SCHRAUBE 14X200 5737 8.G ZN	TORNILLO 14X200 5737 8.G ZN
67	41601133	VITE 14 X240 5737 8.G	BOLT M 14 X240 5737 8.G	VIS M 14 X240 5737 8.G	SCHRAUBE M 14 X240 5737 8.G	TORNILLO M 14 X240 5737 8.G
68	13610620	RUOTA COMPLETA 320X100 CRESTA	COMPL. WHEEL 320X100	ROUE COMPL. 320X100	RAD KOMPL. 320X100	RUEDA COMPL. 320X100
69	23440072	RUOTA CON MOZZO HL	WHEEL- W/ HUB HL	ROUE AVEC MOYEU HL	RAD MIT NABE HL	RUEDA CON PERNO HL
70	F04010170	CUSCINETTO 6205 2RS	BEARING 6205 2RS	PALIER 6205 2RS	LAGER 6205 2RS	COJINETE 6205 2RS
71	F02050613	ANELLO ARR.25 UNI 7435-75	STOP RING 25 UNI 7435-75	BAGUE DE SERRAGE 25 UNI 7435-7	DRAHTSPRENGRING 25 UNI 7435-75	ANILLO PARADA 25 UNI 7435-75
72	23430059	PERNO RUOTA	WHEEL PIN	PIVOT ROUE	RADZAPFEN	PERNO RUEDA
73	18705130	ROND.FOND.12,5 X62 X1,5X11	BOTTOM WASHER 12.5 X 62 X 1.5	ROND. FOND. 12-5 X62 X1-5X11	BODENSCHLEIBE 12-5 X62 X1-5X11	ARANDELA 12-5 X62 X1-5X11
74	F01410076	RONDELLA D12 UNI 6592 ZN	WASHER D12 UNI 6592 ZN	RONDELLE D12 UNI 6592 ZN	UNTERLEGSSCHEIBE D12 UNI 6592 Z	ARANDELA D12 UNI 6592 ZN
75	15430891	SUPPORTO RUOTA DI PROFONDITA'	FROF. WHEEL SUPPORT	SUPPORT ROUE FROF.	HALTERUNG TIEFEN RAD	SOPORTE RUEDA FROF
76	23440074	RASCHIATERRA RUOTA STERZ. HL	STEERING WHEEL SOIL-SCRAPER HL	RACLEUR ROUE BRAQUANTE HL	ERDSCHABER LENKRAD HL	RASCADOR TIERRA RUEDA ORIENTAB
77	F01410051	RONDELLA D8 UNI 6592 ZN	WASHER D8 UNI 6592 GALVANIZED	RONDELLE D8 UNI 6592 ZN	UNTERLEGSSCHEIBE D8 UNI 6592 ZN	ARANDELA D8 UNI 6592 ZN
78	F01020436	VITE 8 X20 5739 8.G ZN	BOLT 8X20 5739 8.G GALVANIZED	VIS 8X20 5739 8.G ZN	SCHRAUBE 8X20 5739 8.G ZN	TORNILLO 8X20 5739 8.G ZN
79	F01020571	VITE 16X50 5739 8.G ZN	BOLT 16X50 5739 8.G GALVANIZ.	VIS 16X50 5739 8.G ZN	SCHRAUBE 16X50 5739 8.G ZN	TORNILLO 16X50 5739 8.G ZN
80	F01200444	DADO 16 5589 6.8 ZN	NUT 16 UNI 5589 6.8 GALVANIZED	ECROU 16 UNI 5589 6.8 ZN	MUTTER 16 UNI 5589 6.8 ZN	TUERCA 16 UNI 5589 6.8 ZN
81	23440087	GAMBO ZAPPA POST. HL	SHANK - REAR HOE HL	TIGE HOUE ARRIERE HL	SCHAFT HINT. MESSER HL	VæSTAGO AZADA TRAS. HL
82	23420051	ZAPPA POSTERIORE DA 215 LM	HOE - REAR- 215 LM	HOUE ARRIERE DE 215 LM	MESSER HINTEN 215 LM	AZADA TRASERA DE 215 LM
83	23440084	VOMERE SUPPLEMENTARE HL LM	PLOUGH-SHARE- SUPPLEM. HL LM	SOC SUPPLEMENTAIRE HL LM	ZUSZTLICHE SCHAR HL LM	REJA SUPLEMENTARIA HL LM
84	F01060086	VITE 10X70 5732 4.6 ZN	BOLT 10X70 5732 4.6 GALVANIZED	VIS 10X70 5732 4.6 ZN	SCHRAUBE 10X70 5732 4.6 ZN	TORNILLO 10X70 5732 4.6 ZN
85	15110091	SCONTRO A U	STRIKER	BRIDE 150 MM	ANSCHLAG	ELEMENTO DE EMPALME



## PRESA DI POTENZA POSTERIORE

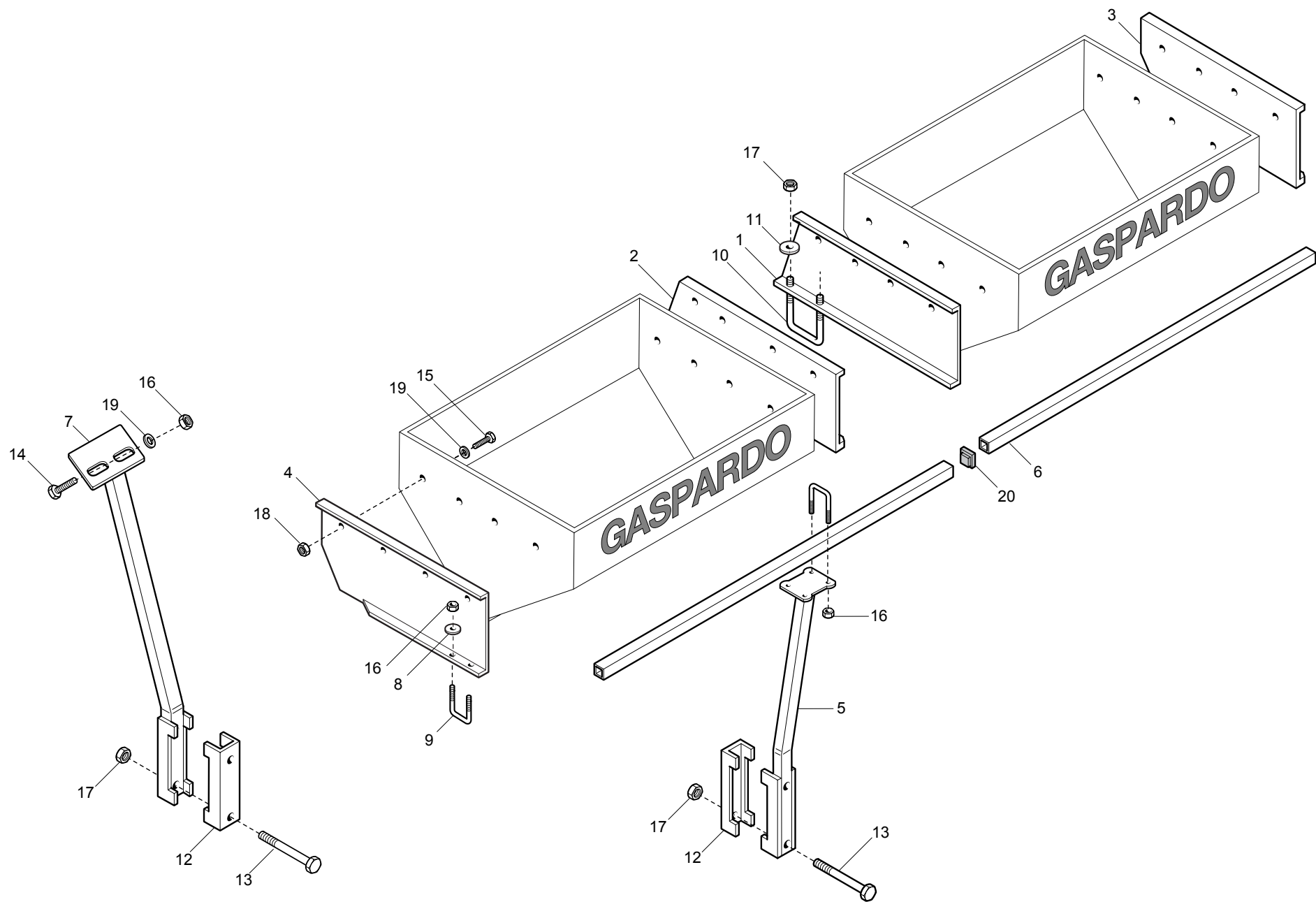
TAV. 52/310

Pos.	Cod.	Descrizione	Description	Description	Benennung	Descripcion
1	13710560	SCONTRO Q 100	STRIKER PLATE 'U' 100	BUTEE 'U' 100	ANSCHLAG 'U' 100	ELEMENTO DE EMPALME 'U' 100
1	14255000	SCONTRO 120	STRIKER 120	BUTEE 120	ANSCHLAG 120	ELEM. DE EMPALME 120
1	15110091	SCONTRO A U	STRIKER	BRIDE 150 MM	ANSCHLAG	ELEMENTO DE EMPALME
2	F01200306	DADO 14 5588 6.8 ZN	NUT 14 UNI 5588 6.8 GALVANIZED	ECROU 14 UNI 5588 6.8 ZN	MUTTER 14 UNI 5588 6.8 ZN	TUERCA 14 UNI 5588 6.8 ZN
3	F01020232	VITE 14X200 5737 8.G ZN	BOLT 14X200 5737 8.G GALVANIZ.	VIS 14X200 5737 8.G ZN	SCHRAUBE 14X200 5737 8.G ZN	TORNILLO 14X200 5737 8.G ZN
3	41601125	VITE 14X180 5737 8.G	SCREW 14X180 5737 8.G	VIS 14X180 5737 8.G	SCHRAUBE 14X180 5737 8.G	TORNILLO 14X180 5737 8.G
4	F01410088	RONDELLA D14 UNI 6592 ZN	WASHER D14 UNI 6592 GALVANIZED	RONDELLE D14 UNI 6592 ZN	UNTERLEGSSCHEIBE D14 UNI 6592 Z	ARANDELA D14 UNI 6592 ZN
5	14850040	SUPPORTO PDP POST. T.100	PDP REAR SUPPORT T.100	SUPPORT ARRIERE PDP T.100	HINT. HALTERUNG PDP T.100	SOPORTE TRASERO TDP T.100
6	14850050	SUPPORTO PRESA DI POTENZA	PTO SUPPORT	SUPPORT PRISE DE FORCE	ZAPFWELLENHALTERUNG	SOPORTE TOMA DE FUERZA
7	F01020514	VITE 12X40 5739 8.G ZN	BOLT 12X40 5739 8.G GALVANIZED	VIS 12X40 5739 8.G ZN	SCHRAUBE 12X40 5739 8.G ZN	TORNILLO 12X40 5739 8.G ZN
8	14850030	PRESA DI POTENZA POSTERIORE	REAR POWER TAKE-OFF	PRISE DE FORCE ARRI+RE	HINTERE LEISTUNGSABNAHME	TOMA DE FUERZA TRASERA
9	F01220244	DADO TRISTOP M12	NUT- TRISTOP M12	ECROU TRISTOP M12	MUTTER TRISTOP M12	TUERCA TRISTOP M12
10	F01410076	RONDELLA D12 UNI 6592 ZN	WASHER D12 UNI 6592 ZN	RONDELLE D12 UNI 6592 ZN	UNTERLEGSSCHEIBE D12 UNI 6592 Z	ARANDELA D12 UNI 6592 ZN
11	F02100121	SPINA EL.6 X40 DIN 1481	PIN EL. 6 X40 DIN 1481	FICHE EL. 6 X40 DIN 1481	SPANNSTIFT 6 X40 DIN 1481	CLAVIJA EL.6 X40 DIN 1481
12	F02100161	SPINA EL.10 X40 DIN 1481	PIN EL. 10 X40 DIN 1481	FICHE EL. 10 X40 DIN 1481	SPANNSTIFT 10X40 DIN 1481	CLAVIJA EL.10 X40 DIN 1481
13	F04100139	SUPPORTO FY TB35 TF	SUPPORT FY TB35 TF	SUPPORT FY TB35 TF	HALTERUNG FY TP35 TF	SOPORTE FY TB35 TF
14	66248227	CUFFIA PROTEZIONE P.D.P.	POWER TAKE-OFF PROTECTION HOUS	PROTECTEUR PRISE DE PUISSANCE	SCHUTZKASTEN KRAFTABTRIEB	ENVOLTURA PROTECCIN T. DE P. G



**KIT RUOTE PER TERRENI SASSOSI - FLANGIATURA RUOTE**
**TAV. 52/361**

Pos.	Cod.	Descrizione	Description	Description	Benennung	Descripcion
1	16630150	CARTER SX	LEFT CASE	CARTER GAUCHE	GEHZUSE LI	C-RTER IZQ
2	16630170	RASCHIATERRA RUOTA SASSI	SOIL SCRAPER WHEEL	RACLEUR ROUE	RADSCHABER RAD	RUEDAS RASCADOR DE TIERRA
3	16630220	RUOTA SASSI COMPLETA	WHEEL- STONES ASSY..	ROUE SOLS GRAVELEUX COMPL.	RAD SASSI KOMPLETT	RUEDA PIEDRAS COMPLETA
4	F01060077	VITE 10X45 5732 4.8 ZN	BOLT 10X45 5732 4.8 GALVANIZED	VIS 10X45 5732 4.8 ZN	SCHRAUBE 10X45 5732 4.8 ZN	TORNILLO 10X45 5732 4.8 ZN
5	16630160	SUPP.RASCHIATERRA SASSI	MUD SCRAPER SUPPORT	SUPP. RACLE-BOUE	SCHLAMMSCHABERHAL-TERUNG	SOPORTE RASCADOR DE LODO
6	16630140	CARTER DX.	RH CASING	CARTER DRT.	GEHZUSE RECHTS	C-RTER DER
7	F01220233	DADO TRISTOP M10	NUT TRISTOP M10	ECROU TRISTOP M10	MUTTER TRISTOP M10	TUERCA TRISTOP M10
8	20980076	BOCCOLA 16X7X10,25	BUSHING 16X7X10-25	BOITE 16X7X10-25	BsCHSE 16X7X10-25	CASQUILLO 16X7X10-25
9	16630190	INGRANAGGIO Z.10-TENDIC.COMPL	GEAR Z-10 - BELT TIGHTENER	ENGRENAGE Z-10 - TENDEUR DE CO	ZAHNRAD Z-10 - RIEMENSPANNER	ENGRANAJE Z-10 - TENSOR DE COR
10	18800320	BOCCOLA 10,25X18X13	BUSHING 10,50X18X31	BOITE 10,50X18X31	B_CHSE 10,50X18X31	CASQUILLO 10,50X18X31
11	F01060079	VITE 10X50 5732 4.6	SCREW 10X50 5732 4.6	VIS 10X50 5732 4.6	SCHRAUBE 10X50 5732 4.6	TORNILLO 10X50 5732 4.6
12	16630110	SUPPORTO RUOTA SASSI	WHEEL SUPPORT	SUPPORT ROUE	RADLAGER	SOPORTE RUEDA
13	F06080238	AN.CAT.ISO 10B-1 78 MAGLIE	ISO 10B-1 CHAIN LINK - 78-LINK	MAILLE CHAINE ISO 10B-1 78 MAI	KETTENRING ISO 10B-1 78 GLIEDE	ESLABN CADENA ISO 10B-1 78 ESL
14	F01220222	DADO TRISTOP M 8	NUT- TRISTOP M 8	ECROU TRISTOP M 8	MUTTER TRISTOP M 8	TUERCA TRISTOP M 8
15	F01420048	ROND.PIANA 9X 24X2 6593 ZN	FLAT WASHER 9X 24X2 6593 GALV.	ROND. PLATE 9X 24X2 6593 ZN	SCHLEIBE 9X 24X2 6593 ZN	ARAND. PLANA 9X 24X2 6593 ZN
16	16630210	DISCO PROTEZIONE SASSI	DISK STONE PROTECTION	DISQUE PROTECTION SOLS GRAVELE	STEINSCHUTZ-SCHLEIBE	DISCO PROTECIÉN PIEDRAS
17	22270281	ASSE RUOTA TRASM.MAGG. SP/S	INCREASED DRIVE WHEEL AXLE	AXE ROUE ENTRAINEMENT 6.50-15	RADACHSE sBERBEM. ANTRIEB SP/S	EJE RUEDA TRANS. SOBREDIMENS.
18	16630200	RUOTA 6,50/80-12 TS-06 4PR	WHEEL 6,50/80-12 TS-06 4PR	ROUE 6,50/80-12 TS-06 4PR	RAD 6,50/80-12 TS-06 4PR	RUEDA 6,50/80-12 TS-06 4PR
19	56244018	CAMERA D'ARIA FR 12 6,50/80-12	CHAMBER 12 6,50/80-12	CHAMBRE 12 6,50/80-12	KAMMER 12 6,50/80-12	CAMARA 12 6,50/80-12
20	F06120193	CERCHIO 300 B X 12	RING 300 B X 12	JANTE 300 B X 12	REIFEN 300 B X 12	LLANTA 300 B X 12
21	F06120179	COPERTURA 6.5/80-12 TS-06 4PR	COVERING 6.5/80-12 TS-06 4PR	COUVERTURE 6.5/80-12 TS-06 4PR	MANTEL 6.5/80-12 TS-06 4PR	CUBIERTA 6.5/80-12 TS-06 4PR
22	F01250040	DADO 12X1.5 COLONNETTA	COLUMN NUT M12X1.5 STUD BOLT	ECROU M12X1. 5 COLONNE	SCHRAUBBOLZENMUTTER M12X1.5	TUERCA 12X1.5 COLUMNA
23	F01020090	VITE 8 X100 5737 8.G ZN	BOLT 8 X100 5737 8.G GALVANIZ.	VIS 8 X100 5737 8.G ZN	SCHRAUBE 8 X100 5737 8.G ZN	TORNILLO 8 X100 5737 8.G ZN
23	F01020097	VITE 8 X150 5737 8.G ZN	BOLT 8 X150 5737 8.G GALVANIZ.	VIS 8 X150 5737 8.G ZN	SCHRAUBE 8 X150 5737 8.G ZN	TORNILLO 8 X150 5737 8.G ZN
24	14830221	DISCO PROTEZIONE SASSI	DISK STONE PROTECTION	DISQUE PROTECTION SOLS GRAVELE	STEINSCHUTZ-SCHLEIBE	DISCO PROTECIÉN PIEDRAS

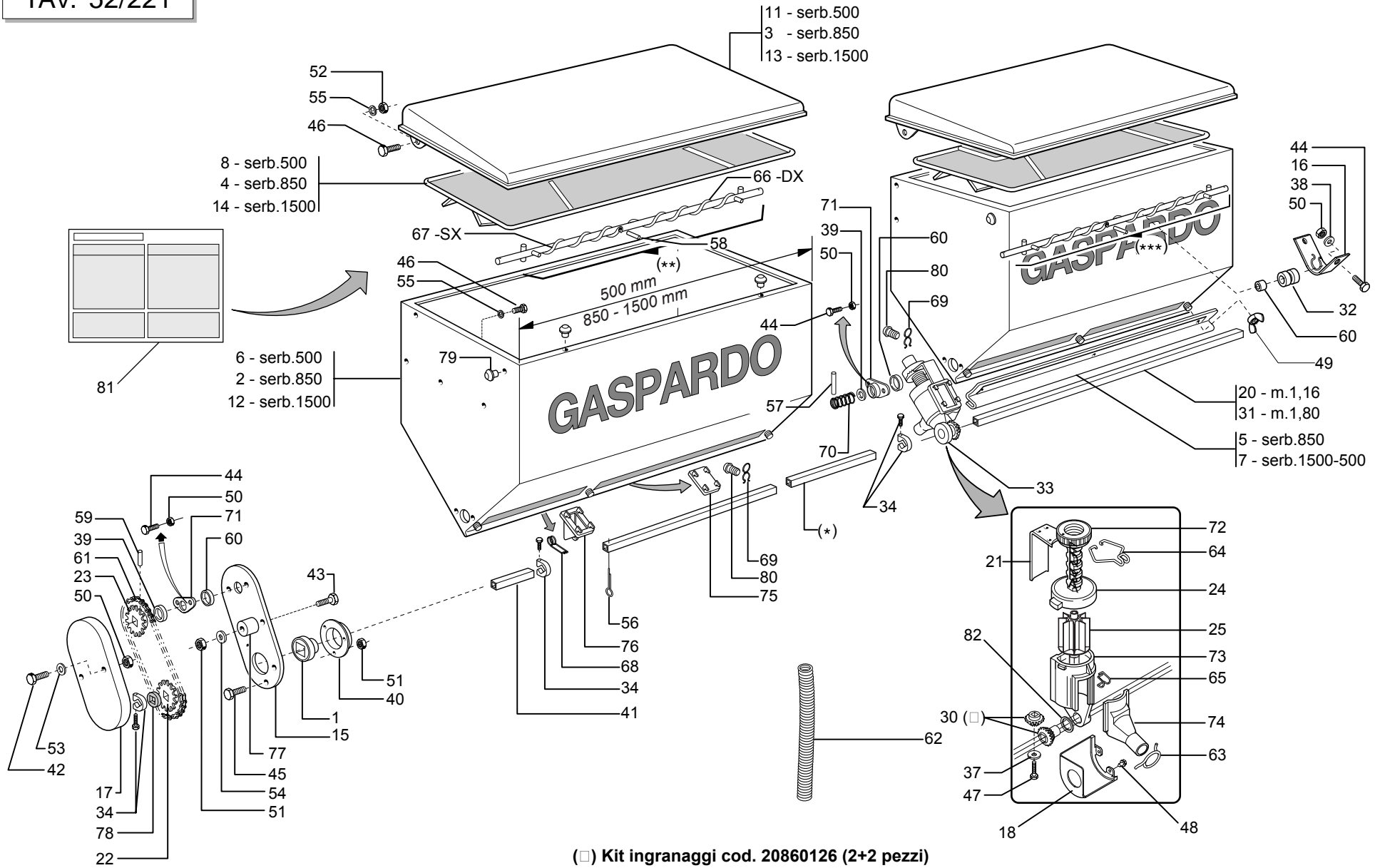




# SUPPORTI SERBATOI SPANDICONCIME FERRO

TAV. 52/212

Pos.	Cod.	Descrizione	Description	Description	Benennung	Descrpcion
1	15470631	SUPPORTO SPANDI CENTRALE DX	RH CENTRAL FERT.SPREADER SUPP.	SUPPORT EPANDEUR CENTR.DRT.	HALTER. MITTL.DsNGERSTR. RE	SOPORTE ABONAD. CENTRAL DER.
2	15470641	SUPPORTO SPANDI CENTRALE SX	LH CENTRAL FERT.SPREADER SUPP.	SUPPORT EPANDEUR CENTR.GCH.	HALTER. MITTL.DsNGERSTR. LI	SOPORTE ABONAD. CENTRAL IZQ.
3	15171380	SUPPORTO ESTERNO SPANDI DX	MAN.SPR. EXT. RIGHT SUPPORT	SUPPORT EXT. DRT. EP. ENGRAIS	RECHTE ZUSSERE HALTER.DsNGERST	SOPORTE EXT.DER. ABONADORA .
4	15171390	SUPPORTO ESTERNO SPANDI SX	MAN.SPR.EXT.LEFT SUPPORT	SUPPORT EXT. GCH. EP. ENGRAIS	LINKER ZUSSERE HALTER.DsNGERST	SOPORTE EXTERIOR IZQ.ABONADORA
5	16670011	SUPPORTO SPANDI	SPREADER SUPPORT	SUPPORT +PANDEUR	HALTERUNG SPANDI	SOPORTE ABONADORA
5	15472901	SUPPORTO SPANDI Q.150	SQ. FERTILIZER SPREADER SUPPOR	SUPPORT +PANDEUR CARR+ 150	HALTERUNG SPANDI Q.150	SOPORTE ABONADORA Q.150
6	15472970	TUBO Q.35 X4 X1200	SQUARE PIPE 35 X4 X1200	TUBE CARRE 35 X4 X1200	VIERKANTROHR 35 X4 X1200	TUBO CUADRADO 35 X4 X1200
7	15473051	SUPPORTO SERBATOIO ANT.	FRONT HOPPER SUPPORT	SUPPORT TR+MIE AVANT	HALTERUNG VORDERER BEH-LTER	SOPORTE DEPESITO ANT.
8	18701140	RONDELLA 11 X35 X5	WASHER 11 X 35 X 5	RONDELLE 11 X35 X5	UNTERLEGSSCHEIBE 11 X35 X5	ARANDELA 11 X35 X5
9	22250272	CAVALLOTTO SUPP.DISCO SV	DISK SUPPORT.ELEMENT U BOLT SV	CAVALIER SUPPORT DISQUE SV	VERBINDUNG SCHEIBENHALTERUNG S	PERNO EN U SOP. DISCO SV
10	15111050	CAVALLOTTO M14X96 - 119 ZN	U-BOLT M14X96 - 119 ZN	CAVALIER M14X96 - 119 ZN	VERBINDUNG M14X96 - 119 ZN	PERNO EN U M14X96 - 119 ZN
11	18700690	RONDELLA 15 X40 X6 ZN	WASHER 15 X 40 X 6 ZN	RONDELLE 15 X40 X6 ZN	UNTERLEGSSCHEIBE 15 X40 X6 ZN	ARANDELA 15 X40 X6 ZN
12	15110091	SCONTRO A U	STRIKER	BRIDE 150 MM	ANSCHLAG	ELEMENTO DE EMPALME
13	41601133	VITE 14 X240 5737 8.G	BOLT M 14 X240 5737 8.G	VIS M 14 X240 5737 8.G	SCHRAUBE M 14 X240 5737 8.G	TORNILLO M 14 X240 5737 8.G
14	F01020463	VITE 10X25 5739 INOX A2	SCREW 10X25 5739 INOX A2	VIS 10X25 5739 INOX A2	SCHRAUBE 10X25 5739 INOX A2	TORNILLO 10X25 5739 INOX A2
15	F01020465	VITE 10X35 5739 INOX A2	SCREW 10X35 5739 INOX A2	VIS 10X35 5739 INOX A2	SCHRAUBE 10X35 5739 INOX A2	TORNILLO 10X35 5739 INOX A2
16	F01200271	DADO 10 5588 6.8 INOX	NUT 10 5588 6.8 INOX	ECROU 10 5588 6.8 INOX	MUTTER 10 5588 6.8 INOX	TUERCA 10 5588 6.8 INOX
17	F01200306	DADO 14 5588 6.8 ZN	NUT 14 UNI 5588 6.8 GALVANIZED	ECROU 14 UNI 5588 6.8 ZN	MUTTER 14 UNI 5588 6.8 ZN	TUERCA 14 UNI 5588 6.8 ZN
18	F01200271	DADO 10 5588 6.8 INOX	NUT 10 5588 6.8 INOX	ECROU 10 5588 6.8 INOX	MUTTER 10 5588 6.8 INOX	TUERCA 10 5588 6.8 INOX
19	F01420059	RONDELLA 11X30X2,5 6593 A2	WASHER 11X30X2,5 6593 A2	RONDELLE 11X30X2,5 6593 A2	UNTERLEGSSCHEIBE 11X30X2,5 6593	ARANDELA 11X30X2,5 6593 A2
20	15475560	TAPPO TUBO 35X35	PLUG PIPE 35X35	BOUCHON TUBE 35X35	ROHRPFROPFEN 35X35	TAP N TUBO 35X35



(□) Kit ingranaggi cod. 20860126 (2+2 pezzi)

- 19 - 20860012 - m 0,50
- \* 36 - 20910045 - m 1,18
- 35 - 20910044 - m 1,375

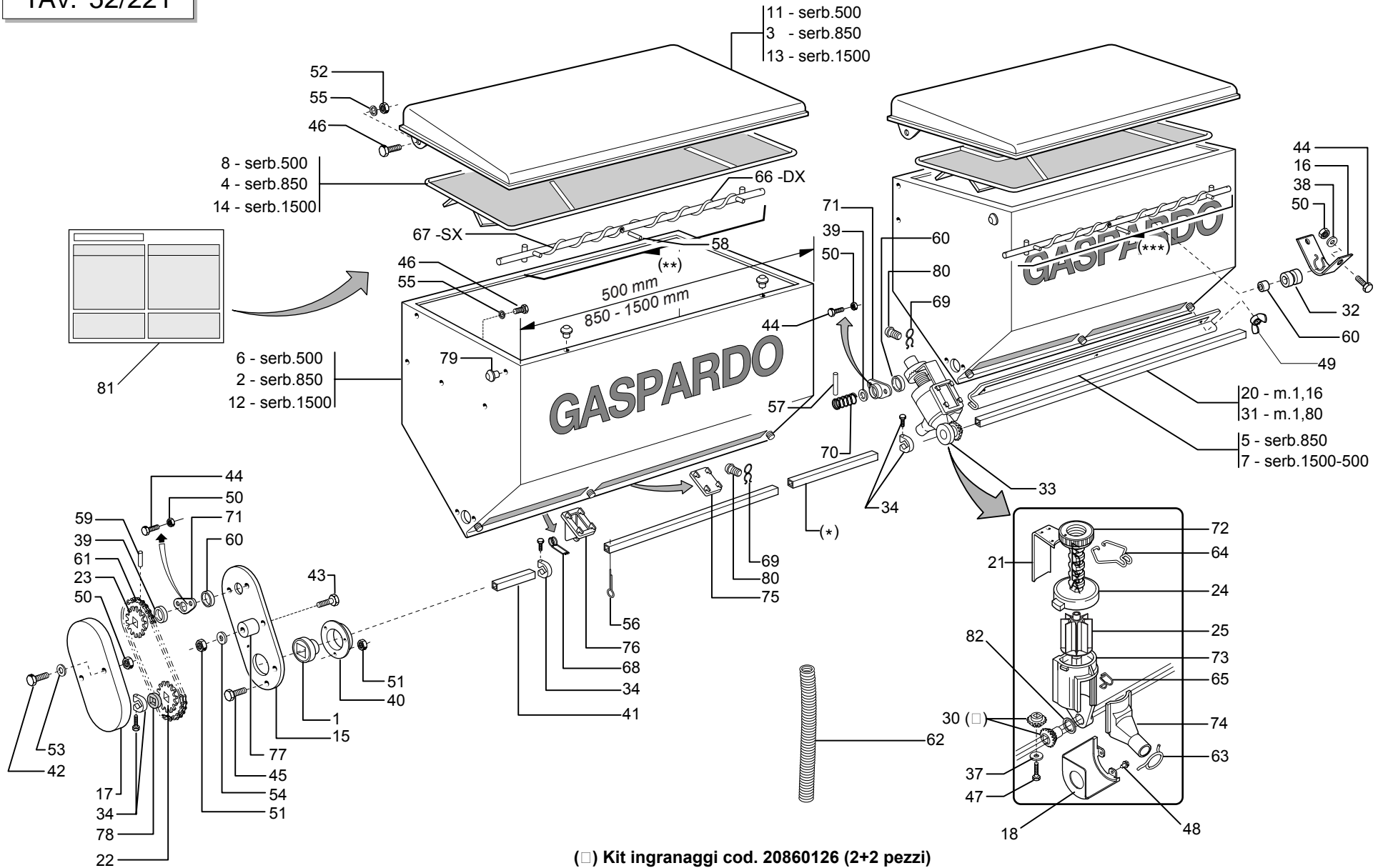
- 10 - 15471130 - SX/ serb.500
- \*\* 27 - 20860122 - SX/ serb.850
- 29 - 20860124 - SX/ serb.1500

- 9 - 15471120 - DX/ serb.500
- \*\*\* 26 - 20860121 - DX/ serb.850
- 28 - 20860123 - DX/ serb.1500

**SERBATOI SPANDICONCIME FERRO**

**TAV. 52/221**

Pos.	Cod.	Descrizione	Description	Description	Benennung	Description
1	14830390	CUSCINETTO FORO QUADRO	SQUARE-HOLED BEARING	ROULEMENT AL+SAGE CARR+	VIERKANTLAGER	COJINETE ORIFICIO CUADRADO
2	15470500	SERBATOIO CONCIME 850	MANURE TANK 850	RESERVOIR ENGRAIS 850	DsNGERBEHZLTER 850	DEPSITO ABONO 850 B
3	15470580	COPERCHIO SERBATOIO 850	TANK TOP 850	COUVERCLE RESERVOIR 650	BEHZLTERDECKEL 850	TAPA DEPSITO 850 A
4	15470700	GRIGLIA 850	GRID 850	GRILLE 850	GITTER 850	REJILLA 850
5	15470780	PORTA DI PULIZIA SERB.850	TANK 850 CLEANING DOOR	PORTE DE NETTOYAGE RESERVOIR 8	REINIGUNGSTsR BEHZLTER 850	PUERTA DE LIMPIEZA DEPS. 850 P
6	15471010	SERBATOIO CONCIME 500	FERTILIZER TANK 500	RESERVOIR ENGRAIS 500	DsNGERBEHZLTER 500	DEPSITO ABONO 500 B
7	15471040	PORTA DI PULIZIA	CLEANING DOOR	PORTE DE NETTOYAGE	REINIGUNGSTsR	PUERTA LIMPIEZA
8	15471090	GRIGLIA 500	GRID 500	GRILLE 500	GITTER 500	REJILLA 500
9	15471120	ASSE AGITAT.DX SERBATOIO 500	RIGHT TANK STIRRER SPINDLE 500	AXE AGIT. DRT RESERVOIR 500	ACHSE SAMENMISCHER RE BEHZLTER	EJE AGITADOR DER DEPSITO 500 A
10	15471130	ASSE AGITAT. SX SERBATOIO 500	LEFT TANK STIRRER SPINDLE 500	AXE AGIT. GCH RESERVOIR 500	ACHSE SAMENMISCHER LI BEHZLTER	EJE AGITADOR IZQ DEPSITO 500 A
11	15471140	COPERCHIO SERBATOIO 500	TANK COVER 500	COUVERCLE RESERVOIR 500	BEHZLTERDECKEL 500	TAPA DEPSITO 500 A
12	15471280	SERBATOIO CONCIME 1500	FERTILIZER TANK 1500	RESERVOIR ENGRAIS 1500	DsNGERBEHZLTER 1500	DEPSITO ABONO 1500 B
13	15471320	COPERCHIO SERBATOIO 1500	TANK COVER 1500	COUVERCLE RESERVOIR 1500	BEHZLTERDECKEL 1500	TAPA DEPSITO 1500 A
14	15471390	GRIGLIA 1500	GRID 1500	GRILLE 1500	GITTER 1500	REJILLA 1500
15	15471930	PROTEZIONE	GUARD	PROTECTION	SCHUTZ	PROTECCIN P P
16	15471990	SUPPORTO COCLEA	SCREW SUPPORT	SUPPORT VIS ALIMENTATION	HALTERUNG SCHNECKE	SOPORTE CCLEA S
17	19002710	PROTEZ.RINVIO SPANDICONCIME	FERTILIZER TRANSM. PROTECTION	PROTECTION RENVOI FERTILISEUR	SCHUTZ VORGELEGE DUNGERSTREUER	PROTECCION TRANSMISION ABONADO
18	19002850	PROTEZIONE PIGNONE	PINION GUARD	PROTECTION PIGNON	RITZELSCHUTZ	PROTECCIN P1/4N PR
19	20860012	MANICOTTO DI UNIONE L.500	JOINT SLEEVE L.500	MANCHON DE RACCORD L. 500	VERBINDUNGSMUFFE L.500	MANGUITO DE UNIN L.500 M
20	20860008	ASSE LATO CAMBIO 2 F. L.1160	GEARBOX SIDE SPINDLE- 2-ROW L.	AXE COTE BOITE DE VITESSE	ACHSE GETRIEBSEITE 2 R. L. 11	EJE LADO CAMBIO 2 FIL. L.1
21	20860052	REGOLATORE APERTURA	OPENING REGULATOR	REGULATEUR OUVERTURE	TFFNUNGSEINSTELLER	REGULADOR ABERTURA
22	20860086	INGRANAGGIO 1/2 Z-12 F.Q.	GEAR 1/2 Z-12 F.Q.	ENGRENAGE 1/2 Z-12 TROUS CARRE	ZAHNRAD 1/2 Z-12 F.Q.	ENGRANAJE 1/2 Z-12 F.Q.
23	20860088	INGRANAGGIO 1/2 Z-12 F.T.	GEAR 1/2 Z-12 F.T.	ENGRENAGE 1/2 Z-12 TROUS ROUNDS	ZAHNRAD 1/2 Z-12 F.T.	ENGRANAJE 1/2 Z-12 F.T.
24	20860093	VITE DI REGOL.	ADJUSTMENT BOLT	VIS DE REGLAGE	EINSTELLSCHRAUBE.	TORNILLO DE REGULACIN S
25	20860106	DOSATORE SPANDI 8 PALE COMPL.	FERT.METERING DEVICE ASS.8 GRO	ROTOR DOSEUR 8C FERTI	DOSIERER DUNGER.KOMPL. 8 SEKT	DOSIFICADOR ABONO COMP.8 SECT
26	20860121	ASSE AGITAT.DX SERB.850 COMPL.	STIRRER SPINDLE- RIGHT 850 TAN	AXE AGITATEUR DRT. RESERVOIR 8	SAMENMISCHERACHSE RE BEH.850	EJE AGITAD. DER. DEPS.850 COMA
27	20860122	ASSE AGITAT.SX SERB.850 COMPL.	STIRRER SPINDLE- LEFT 850 TANK	AXE AGITATEUR GCH. RESERVOIR 8	SAMENMISCHERACHSE LI BEH.850	EJE AGITAD. IZQ. DEPS. 850 COA
28	20860123	AGIT.DX SERB.1500 3-4 USC.COMP	RIGHT 1500 TANK STIRRER- 3-4 O	AGITATEUR DRT. RESERVOIR 1500	SAMENMI. RE BEH.1500 3-4AUSG.	AGIT. DER. DEPS. 1500 3-4 SALA
29	20860124	AGIT.SX SERB.1500 3-4 USC.COMP	LEFT 1500 TANK STIRRER- 3-4 OU	AGITATEUR GCH. RESERVOIR 1500	SAMENMI. LI BEH.1500 3-4 AUSG.	AGIT. DEPS. 1500 3-4 SALA
30	20860126	KIT INGR DISTR CONCIME (2+2)	KIT- MAN. DISTR. GEARS	COUPLE CON DISTR ENGRAIS (2+2)	KIT ZAHNRZDER DsNGERSTREUER	SET ENGRANAJES DISTRIB. ABONO
31	20870028	ASSE SERB.LATO TRAS.6F.L.1800	AXLE- GEARBOX SIDE- 6-ROW L.18	AXE RESERVOIR COTE ENTRAINEMEN	ACHSE BEHZLTER ANTRIEBSS. 6F.L	EJE DEPS. LADO TRANS. 6 FILA A
32	19005040	BOCCOLA ASSE SPANDI	FERT. SPREADER AXLE BUSH	DOUILLE AXE +PANDEUR	ACHSENBUCHSE STREUER	MANGUITO -RBOL ABONADORA
33	20880044	DISTR.COMPL.8PALE SPANDI FE	COMPL.IRON FERTIL.DISTR.8 RIBS	MINIMAX COMPL 8C FER	KOMPL.DOSIER.MET.DÜNGERSTR.8S	DISTR.COMP.ABONO HIER.8ALETAS
34	22505085	FERMO ASSE IN LAMIERA	PLATE AXLE STOP	ARRET AXE EN TOLE	FESTSTELLVORRICHTUNG BLECHACHS	BLOQUEO EJE DE CHAPA
35	20910044	MANICOTTO UNIONE L.1375	JOINT SLEEVE L.1375	MANCHON RACCORD L. 1375	VERBINDUNGSMUFFE L.1375	MANGUITO DE UNIN L.1375 M
36	20910045	MANICOTTO UNIONE L.1180	JOINT SLEEVE L.1180	MANCHON RACCORD L. 1180	VERBINDUNGSMUFFE L.1180	MANGUITO DE UNIN L.1180 M
37	20970097	RONDELLA 32X3X4,5	WASHER 32X3X4-5	RONDELLE 32X3X4-5	UNTERLEGSCHLEIBE 32X3X4-5	ARANDELA 32X3X4-5
38	20970125	RONDELLA 28X2,5X6,5	WASHER 28X2-5X6-5	RONDELLE 28X2-5X6-5	UNTERLEGSCHLEIBE 28X2-5X6-5	ARANDELA 28X2-5X6-5
39	22220073	RONDELLA 28X0,3X16,5	WASHER 28X0-3X16-5	RONDELLE 28X0-3X16-5	UNTERLEGSCHLEIBE 28X0-3X16-5	ARANDELA 28X0-3X16-5
40	22230094	SUPPORTO CUSCINETTO	BEARING SUPPORT	SUPPORT PALIER	LAGERBSCHSE	SOPORTE COJINETE
41	22250287	MANICOTTO DISTANZIALE SV	SPACER SLEEVE SV	MANCHON ENTRETOISE SV	ABSTANDSMUFFE SV	MANGUITO DISTANCIADOR SV
42	F01020043	VITE 6 X60 5737 8.G ZN	BOLT 6 X60 5737 8.G GALVANIZED	VIS 6 X60 5737 8.G ZN	SCHRAUBE 6 X60 5737 8.G ZN	TORNILLO 6 X60 5737 8.G ZN
43	F01020068	VITE 8 X40 5737 8.G ZN	BOLT 8 X40 5737 8.G GALVANIZED	VIS 8 X40 5737 8.G ZN	SCHRAUBE 8 X40 5737 8.G ZN	TORNILLO 8 X40 5737 8.G ZN
44	F01020419	VITE M6 X1 X 16 U5739 8.8 IX	BOLT M6 X1 X 16 U5739 8.8 IX	VIS M6 X1 X 16 U5739 8.8 IX	SCHRAUBE M6 X1 X 16 U5739 8.	TORNIL. M6 X1 X 16 U5739 8.8
45	F01020432	VITE 8 X16 5739 8.G ZN	BOLT 8X16 5739 8.G GALVANIZED	VIS 8X16 5739 8.G ZN	SCHRAUBE 8X16 5739 8.G ZN	TORNILLO 8X16 5739 8.G ZN
46	F01020463	VITE 10X25 5739 INOX A2	SCREW 10X25 5739 INOX A2	VIS 10X25 5739 INOX A2	SCHRAUBE 10X25 5739 INOX A2	TORNILLO 10X25 5739 INOX A2
47	F01070075	VITE 4,2X38 DIN 7981	BOLT 4,2X38 DIN 7981	VIS 4-2X38 DIN 7981	SCHRAUBE 4-2X38 DIN 7981	TORNILLO 4-2X38 DIN 7981
48	F01070011	VITE AUTOF.4,2X9,5T.E. TAG.F.RO	BOLT- SELF-TAPPING 4-2X9-5T.E.	VIS AUTOTAR. 4-2X9-5 T. E. COU	SELBSTSCHNEID. SCHRAUBE 4-2X9-	TORNILLO AUTORROSC. 4-2X9-5
49	F01240012	DADO 6 5448 5.8 ZN	NUT 6 UNI 5448 5.8 ZN	ECROU 6 UNI 5448 5.8 ZN	MUTTER 6 UNI 5448 5.8 ZN	TUERCA 6 UNI 5448 5.8 ZN
50	F01200233	DADO M 6X 1 U5588 IX	NUT M 6X 1 U5588 IX	ECROU M 6X 1 U5588 I	MUTTER M 6X 1 U5588	TUERCA M 6X 1 U5588
51	F01200244	DADO 8 5588 6.8 ZN	NUT 8 UNI 5588 6.8 GALVANIZED	ECROU 8 UNI 5588 6.8 ZN	MUTTER 8 UNI 5588 6.8 ZN	TUERCA 8 UNI 5588 6.8 ZN
52	F01200271	DADO 10 5588 6.8 INOX	NUT 10 5588 6.8 INOX	ECROU 10 5588 6.8 INOX	MUTTER 10 5588 6.8 INOX	TUERCA 10 5588 6.8 INOX
53	F01410037	RONDELLA D6 UNI 6592 ZN	WASHER D6 UNI 6592 GALVANIZED	RONDELLE D6 UNI 6592 ZN	UNTERLEGSCHLEIBE D6 UNI 6592 ZN	ARANDELA D6 UNI 6592 ZN
54	F01410051	RONDELLA D8 UNI 6592 ZN	WASHER D8 UNI 6592 GALVANIZED	RONDELLE D8 UNI 6592 ZN	UNTERLEGSCHLEIBE D8 UNI 6592 ZN	ARANDELA D8 UNI 6592 ZN
55	F01420059	RONDELLA 11X30X2,5 6593 A2	WASHER 11X30X2,5 6593 A2	RONDELLE 11X30X2,5 6593 A2	UNTERLEGSCHLEIBE 11X30X2,5 6593	ARANDELA 11X30X2,5 6593 A2



(□) Kit ingranaggi cod. 20860126 (2+2 pezzi)

- 19 - 20860012 - m 0,50
- \* 36 - 20910045 - m 1,18
- 35 - 20910044 - m 1,375

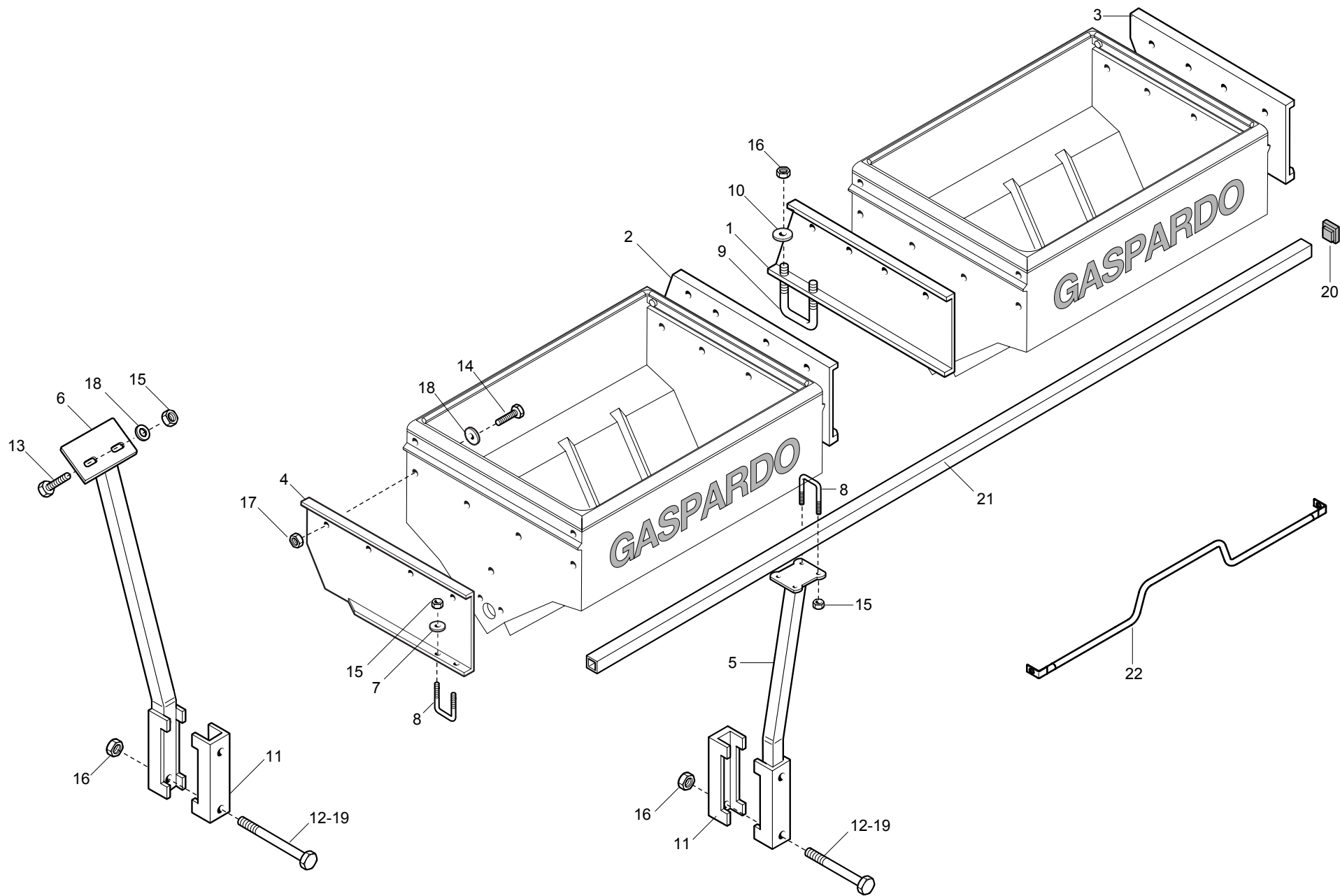
- 10 - 15471130 - SX/ serb.500
- \*\* 27 - 20860122 - SX/ serb.850
- 29 - 20860124 - SX/ serb.1500

- 9 - 15471120 - DX/ serb.500
- \*\*\* 26 - 20860121 - DX/ serb.850
- 28 - 20860123 - DX/ serb.1500

**SERBATOI SPANDICONCIME FERRO**

**TAV. 52/221**

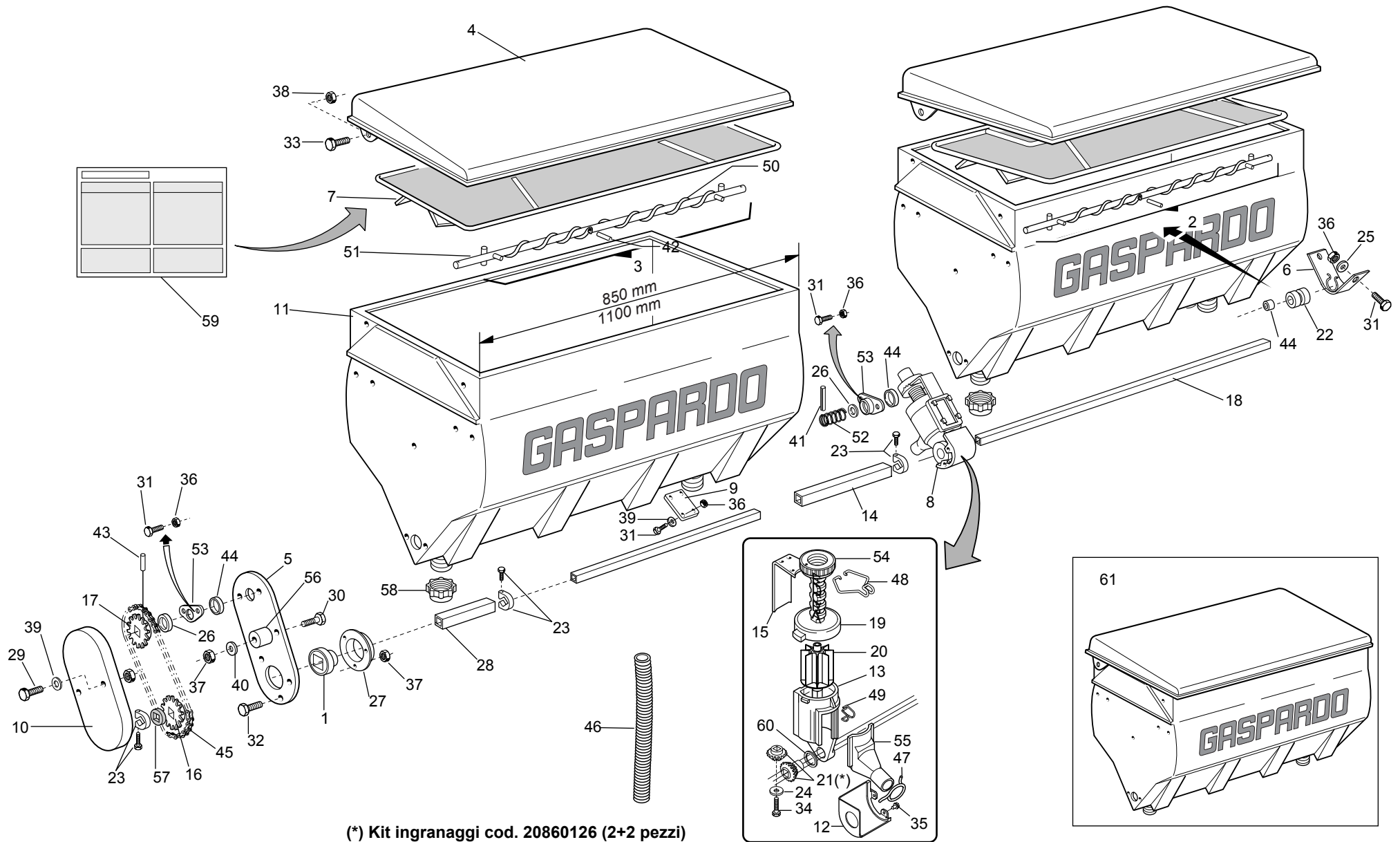
Pos.	Cod.	Descrizione	Description	Description	Benennung	Description
56	F02200227	COPIGLIA 5 X30 1336 ZN	SPLIT PIN 5 X30 1336 GALVAN.	GOUPILLE 5 X30 1336 ZN	SPLINT 5 X30 1336 ZN	PASADOR 5 X30 1336 ZN
57	F02100079	SPINA EL.5 X20 DIN 1481	PIN EL. .5 X20 DIN 1481	FICHE EL. 5 X20 DIN 1481	SPANNSTIFT 5X20 DIN 1481	CLAVIJA EL.5 X20 DIN 1481
58	F02100089	SPINA EL.5 X36 DIN 1481	PIN EL. 5 X36 DIN 1481	FICHE EL. 5 X36 DIN 1481	SPANNSTIFT 5 X36 DIN 1481	CLAVIJA EL.5 X36 DIN 1481
59	F02100114	SPINA EL.6 X30 DIN 1481	PIN EL. 6 X30 DIN 1481	FICHE EL. 6 X30 DIN 1481	SPANNSTIFT 6 X30 DIN 1481	CLAVIJA EL.6 X30 DIN 1481
60	F03011081	GUARNIZIONI LABBRO DE100	LIP GASKET DE100	GARNITURES LEVRE DE100	LIPPENDICHTUNG DE100	GUA DELANTERA G
61	F06080196	SPEZ.CAT.1/2 ISO 083 32MA.TR.	CUT-DOWN CHAIN .1/2 ISO 083 32	TRONCON CHAINE 1/2 ISO 083 32	KETTENLNZGE 1/2 ISO 083 32 GL	TRECHO CADENA 1/2 ISO 083 32
62	F03100500	TUBO EOLO 35 PU	EOLO PIPE 35 PU	TUBE EOLO 35 PU	ROHR EOLO 35 PU	TUBO EOLO 35 PU
63	65336025	MOLLA SPEC.ZN STRINGIT.ASP.SP	SPEC SPRING ZN FAN . PIPE CLAM	RESSORT SPEC. ZN SERRE-TUBE AS	SPEZIALFEDER ZN RORHSCHELLE AB	MUELLE ESPEC. ZN APRIETA TUBOS
64	65336055	MOLLA SPEC.REGOL.SPAND. SP	SPEC SPRING MAN. SPR. ADJUSTM.	RESSORT SPEC. REGL. EP. ENTRAI	SPEZIALFEDER STREUEREINSTELLUN	MUELLE ESPEC. REGUL. ABONADORA
65	65336062	MOLLA SPEC.SCIV.DISTR.SPAND.SP	SPEC SPRING - MAN. SPR. DISTR.	RESS. SPEC. LANCOIR DISTR. EP.	SPEZ.FEDER RUTSCHE SZAPP. STRE	MUELLE ESPEC.PLANO INCL.DISTR.
66	65336064	MOLLA SPEC.COCLEA DX SPAND.HL	SPEC. WORM SCREW SPRING RIGHT	RESSORT SPEC. VIS DRT. EP. ENG	SPEZ.FEDER RE SCHNECKE STREUER	MUELLE ESPEC. TORN.S/F DER. AB
67	65336065	MOLLA SPEC.COCLEA SX SPAND.HL	SPEC. WORM SCREW SPRING LEFT M	RESSORT SPEC. VIS GCH. EP. ENG	SPEZ.FEDER LI SCHNECKE STREUER	MUELLE ESPEC. TORN.S/F IZQ. AB
68	65336080	MOLLA SPEC.SCARICO SPAND.T.M.	SPEC.SPRING- MAN. SPR. DISCHAR	RESSORT SPEC. DECHARGEMENT FER	SPEZIALFEDER STREUERENTLADUNG	MUELLE ESPEC. DESCARGA ABONAD.
69	65336089	MOLLA SPEC.TENUTA FERMO SPAND.	SPEC.SPRING- BLOCK. MAN. SPR.	RESSORT SPEC. D'ETANCHEITE ARR	SPEZIALFEDER DICHTUNG STREUER	MUELLE ESPEC. RETENC. BLOQ
70	65338043	MOLLA COMP.ZN SERB. M80	ZN TANK COMP.SPRING M80	RESSORT COMPL. ZN RESERVOIR M8	DRUCKFEDER ZN BEHZLTER M80	MUELLE COMP.ZN DEPS. M80 A
71	66248121	BOCCOLA CON FLANGIA M80	BUSHING W/ FLANGE M80	SUPPORT AVEC BRIDE M80	BsCHSE MIT FLANSCH M80	CASQUILLO CON BRIDA M80
72	66248125	GHIERA REGOLAZIONE M80	ADJUSTMENT KNURLED NUT M80	BAGUE REGLAGE M80	EINSTELLMUTTER M80	CONTRATUERCA REGULACIN M80 G
73	66248176	CORPO DISTR.SPAND. SP	MANURE SPREADER DISTR. CASING	CORPS DISTRIB. EP. ENGRAIS SP	VERTEILUNGSKTRPER STREUER SP	CUERPO DISTR. ABON. SP
74	66248178	SCIVOLO DISTR.SPAND. SP	CHUTE- MANURE-SPREADER DISTRIB	LANCOIR DISTRIBUTION EP. ENGR.	DsNGERSTREUER RUTSCHE SP	PLANO INCLINADO DISTR. ABON. S
75	66248184	CHIUSURA USCITA SERB.SPAND.SP	OUTLET CLOSURE- MAN.SPREAD. TA	FERMETURE SORTIE RESERVOIR FER	VERSCHLUSS AUSTRITT DsNGERSTR.	CIERRE SALIDA DEPS. ABON. SP I
76	66248187	SCARICO SERB.SPAND.TIPO MICRO	MICRO TYPE MAN.SPR.TANK DISCH.	TRAPPE DE VIDANGE TYPE MICRO	BEHZLTERENTLADUNG STREUER TYP	DESCARGA DEPS. ABON.TIPO MICRD
77	66248207	TENDICATENA SPAND. SP-520	CHAIN TENSIONER	TENDEUR DE CHAINE EPAND. ENGR.	KETTENSPANNER DsNGERSTR. SP-52	SENSOR DE CADENA ABON. SP-520
78	66248218	RONDELLA DISTAN.SPAND.	MAN. SPR. SPACER WASHER	RONDELLE ENTRETOISE EP. ENGRAI	ABSTANDSCHEIBE DsNGERSTREUER	ARANDELA DISTAN.ABONAD.
79	66248223	TAPPO SUPP.SPAND.D.11	PLUG MAN. SPR. SUPP. D.11	BOUCHON SUPPORT EP. ENGRAIS D.	HALTERUNGSPFROPFEN DsNGERSTR.	TAPN SOPORTE ABON.D.11 D
80	66248224	FERMO DISTRIBUTORE SPAND.	FERT. SPR. DISTRIB. STOP	ARRET DISTRIBUTEUR EP. ENGRAIS	FESTSTELLVORRICHTUNG SZAPP. ST	BLOQUEO DISTRIBUIDOR ABON.
81	19700821	TABELLA CONCIME SP540	FERTILIZER CHART STICKER	DECALC. TABLEAU DE ENGRAIS	ABZIEHB. TABELLE D_NGER	CAL.TABLAABONO
82	18701500	RONDELLA 29,5 X38 X0,3	WASHER 29,5 X 38 X 0,3	RONDELLE 29,5 X38 X0,3	UNTERLEGSCHIEBE 29,5X38X0,3	ARANDELA 29,5 X38 X0,3



# SUPPORTI SERBATOI SPANDICONCIME PLASTICA

TAV. 52/232

Pos.	Cod.	Descrizione	Description	Description	Benennung	Description
1	15470631	SUPPORTO SPANDI CENTRALE DX	RH CENTRAL FERT.SPREADER SUPP.	SUPPORT EPANDEUR CENTR.DRT.	HALTER. MITTL.DsNGERSTR. RE	SOPORTE ABONAD. CENTRAL DER.
2	15470641	SUPPORTO SPANDI CENTRALE SX	LH CENTRAL FERT.SPREADER SUPP.	SUPPORT EPANDEUR CENTR.GCH.	HALTER. MITTL.DsNGERSTR. LI	SOPORTE ABONAD. CENTRAL IZQ.
3	15171380	SUPPORTO ESTERNO SPANDI DX	MAN.SPR. EXT. RIGHT SUPPORT	SUPPORT EXT. DRT. EP. ENGRAIS	RECHTE ZUSSERE HALTER.DsNGERST	SOPORTE EXT.DER. ABONADORA .
4	15171390	SUPPORTO ESTERNO SPANDI SX	MAN.SPR.EXT.LEFT SUPPORT	SUPPORT EXT. GCH. EP. ENGRAIS	LINKER ZUSSERE HALTER.DsNGERST	SOPORTE EXTERIOR IZQ.ABONADORA
5	16670011	SUPPORTO SPANDI	SPREADER SUPPORT	SUPPORT +PANDEUR	HALTERUNG SPANDI	SOPORTE ABONADORA
5	15472901	SUPPORTO SPANDI Q.150	SQ. FERTILIZER SPREADER SUPPOR	SUPPORT +PANDEUR CARR+ 150	HALTERUNG SPANDI Q.150	SOPORTE ABONADORA Q.150
6	15473251	SUPPORTO ANT.SPANDI	FRONT FERTILIZER SPREADER SUPP	SUPPORT AVANT +PANDEUR	VORD.HALTERUNG SPANDI	SOPORTE ANT.ABONADORA
7	18701140	RONDELLA 11 X35 X5	WASHER 11 X 35 X 5	RONDELLE 11 X35 X5	UNTERLEGSSCHEIBE 11 X35 X5	ARANDELA 11 X35 X5
8	22250272	CAVALLOTTO SUPP.DISCO SV	DISK SUPPORT.ELEMENT U BOLT SV	CAVALIER SUPPORT DISQUE SV	VERBINDUNG SCHEIBENHALTERUNG S	PERNO EN U SOP. DISCO SV
9	15111050	CAVALLOTTO M14X96 - 119 ZN	U-BOLT M14X96 - 119 ZN	CAVALIER M14X96 - 119 ZN	VERBINDUNG M14X96 - 119 ZN	PERNO EN U M14X96 - 119 ZN
10	18700690	RONDELLA 15 X40 X6 ZN	WASHER 15 X 40 X 6 ZN	RONDELLE 15 X40 X6 ZN	UNTERLEGSSCHEIBE 15 X40 X6 ZN	ARANDELA 15 X40 X6 ZN
11	18700690	RONDELLA 15 X40 X6 ZN	WASHER 15 X 40 X 6 ZN	RONDELLE 15 X40 X6 ZN	UNTERLEGSSCHEIBE 15 X40 X6 ZN	ARANDELA 15 X40 X6 ZN
12	41601101	VITE 14 X160 5737 8.G	BOLT M 14 X160 5737 8.G	VIS M 14 X160 5737 8.G	SCHRAUBE M 14 X160 5737 8.G	TORNILLO M 14 X160 5737 8.G
13	F01020463	VITE 10X25 5739 INOX A2	SCREW 10X25 5739 INOX A2	VIS 10X25 5739 INOX A2	SCHRAUBE 10X25 5739 INOX A2	TORNILLO 10X25 5739 INOX A2
14	F01020465	VITE 10X35 5739 INOX A2	SCREW 10X35 5739 INOX A2	VIS 10X35 5739 INOX A2	SCHRAUBE 10X35 5739 INOX A2	TORNILLO 10X35 5739 INOX A2
15	F01200271	DADO 10 5588 6.8 INOX	NUT 10 5588 6.8 INOX	ECROU 10 5588 6.8 INOX	MUTTER 10 5588 6.8 INOX	TUERCA 10 5588 6.8 INOX
16	F01200306	DADO 14 5588 6.8 ZN	NUT 14 UNI 5588 6.8 GALVANIZED	ECROU 14 UNI 5588 6.8 ZN	MUTTER 14 UNI 5588 6.8 ZN	TUERCA 14 UNI 5588 6.8 ZN
17	F01200271	DADO 10 5588 6.8 INOX	NUT 10 5588 6.8 INOX	ECROU 10 5588 6.8 INOX	MUTTER 10 5588 6.8 INOX	TUERCA 10 5588 6.8 INOX
18	F01420059	RONDELLA 11X30X2,5 6593A2	WASHER 11X30X2,5 6593A2	RONDELLE 11X30X2,5 6593A2	UNTERLEGSSCHEIBE 11X30X2,5 6593	ARANDELA 11X30X2,5 6593A2
19	41602124	VITE 14X220 5737 8.G ZN	BOLT 14X220 5737 8.G GALVANIZ.	VIS 14X220 5737 8.G ZN	SCHRAUBE 14X220 5737 8.G ZN	TORNILLO 14X220 5737 8.G ZN
20	15475560	TAPPO TUBO 35X35	PLUG PIPE 35X35	BOUCHON TUBE 35X35	ROHRPFROPFEN 35X35	TAP N TUBO 35X35
21	07000028	TUBO Q.35 X4 X2980	SQUARE PIPE 35 X 35 X 3 X 2980	TUBE CARRE 35 X 35 X 3 X 2980	VIERKANTROHR 35 X 35 X 3 X 298	TUBO CUADRADO 35 X 35 X 3 X 29
21	07000370	TUBO Q.35 X3 X3980	SQUARE PIPE 35X35X4X3980	TUBE CARRE 35X35X4X3980	VIERKANTROHR 35X35X4X3980	TUBO CUADRADO 35X35X4X3980
21	07000375	TUBO Q.35 X3 X1600	SQUARE PIPE 35X35X4X1600	TUBE CARRE 35X35X4X1600	VIERKANTROHR 35X35X4X1600	TUBO CUADRADO 35X35X4X1600
21	15472970	TUBO Q.35 X4 X1200	SQUARE PIPE 35 X4 X1200	TUBE CARRE 35 X4 X1200	VIERKANTROHR 35 X4 X1200	TUBO CUADRADO 35 X4 X1200
21	15472980	TUBO Q.35 X4 X750	SQUARE PIPE 35 X4 X750	TUBE CARRE 35 X4 X750	VIERKANTROHR 35 X4 X750	TUBO CUADRADO 35 X4 X750
21	15472990	TUBO Q.35 X4 X600	SQUARE PIPE 35 X4 X600	TUBE CARRE 35 X4 X600	VIERKANTROHR 35 X4 X600	TUBO CUADRADO 35 X4 X600
21	15475130	TUBO SUPPORTO SERBATOIO L.2480	TANK SUPPORT PIPE L.2480	TUBE SUPPORT RESERVOIR L2460	ROHR HALTERUNG BEHZLTER L.2480	TUBO SOPORTE DEPOSITO L.2480 T
21	15475300	TUBO SUPPORTO MICRO L.1170	MICRO SUPPORT PIPE L.1170	TUBE SUPPORT MICRO L1170	ROHR HALTERUNG MIKRO L.1170	TUBO SOPORTE MICRO L1170
21	15475390	TUBO SUPPORTO MICRO L.3100	MICRO SUPPORT PIPE L.3100	TUBE SUPPORT MICRO L3100	ROHR HALTERUNG MIKRO L.3100	TUBO SOPORTE MICRO L.3100
21	15475400	TUBO SUPPORTO MICRO L.5800	MICRO SUPPORT PIPE L.3800	TUBE SUPPORT MICRO L5800	ROHR HALTERUNG MIKRO L.5800	TUBO SOPORTE MICRO L.5800
21	15475540	TUBO SUPPORTO MICRO L.5100	MICRO SUPPORT PIPE L.5100	TUBE SUPPORT MICRO L5100	ROHR HALTERUNG MIKRO L.5100	TUBO SOPORTE MICRO L.51000
21	20890207	BARRA DIFFUSORI DISERBO L.1400	WEEDKILLER SPREADER BAR L.1400	BARRE DIFFUSEURS DESHERBAGE L.	DIFFUSORENSTANGE UNKRAUTVERT.	BARRA DIFUSORES HERBICIDA L.1
21	22220141	BRACCIO SCORREVOLE 4 FILE	SLIDING ARM- 4-ROW	BRAS GLISSANT 4 RANGEES	GLEITARM 4 REIHEN	BRAZO CORREDIZO 4 FILAS
21	22270115	BRACC.SCORR.6F.100 L.2000 SP	SLIDING ARM 6-R. 100 L.2000 SP	BRAS GLISS. 6 RANG. 100 L. 200	GLEITARM 6R.100 L.2000 SP	BRAZO CORRED. 6 FILAS. 100 L.2
22	15272961	RINFORZO SPANDICONCIME 1100	FERTILIZER 1100 REINFORCEMENT	RENFORT EPANDEUR D'ENGRAIS 110	VERSTZRKUNG DsNGERSTREUER 1100	REFUERZO ABONADORA 1100
22	15273180	RINFORZO SPANDICONCIME 850	FERTILIZER 850 REINFORCEMENT	RENFORT EPANDEUR D'ENGRAIS 850	VERSTZRKUNG DsNGERSTREUER 850	REFUERZO ABONADORA 850



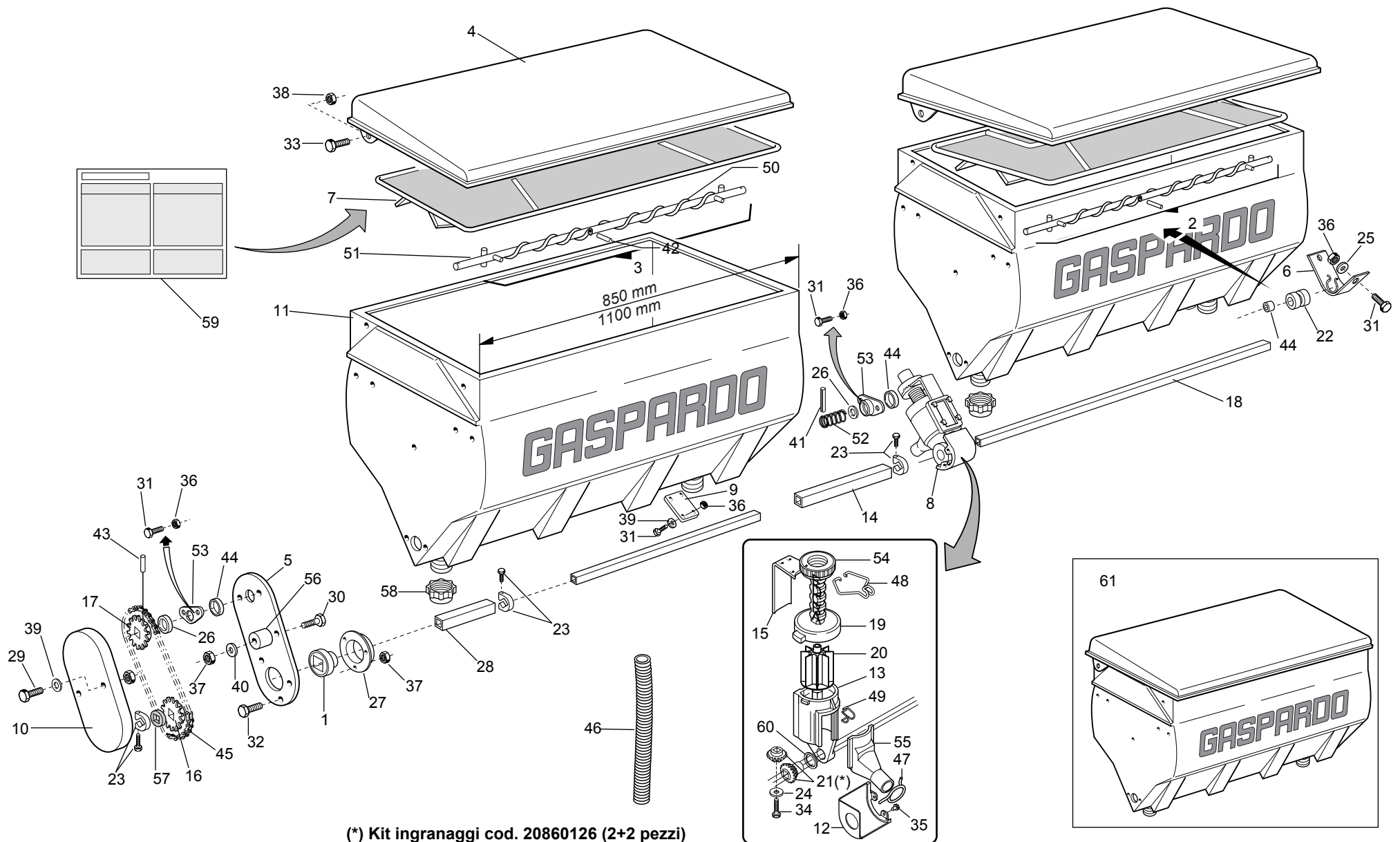
(\*) Kit ingranaggi cod. 20860126 (2+2 pezzi)



# SERBATOI SPANDICONCIME PLASTICA

TAV. 52/242

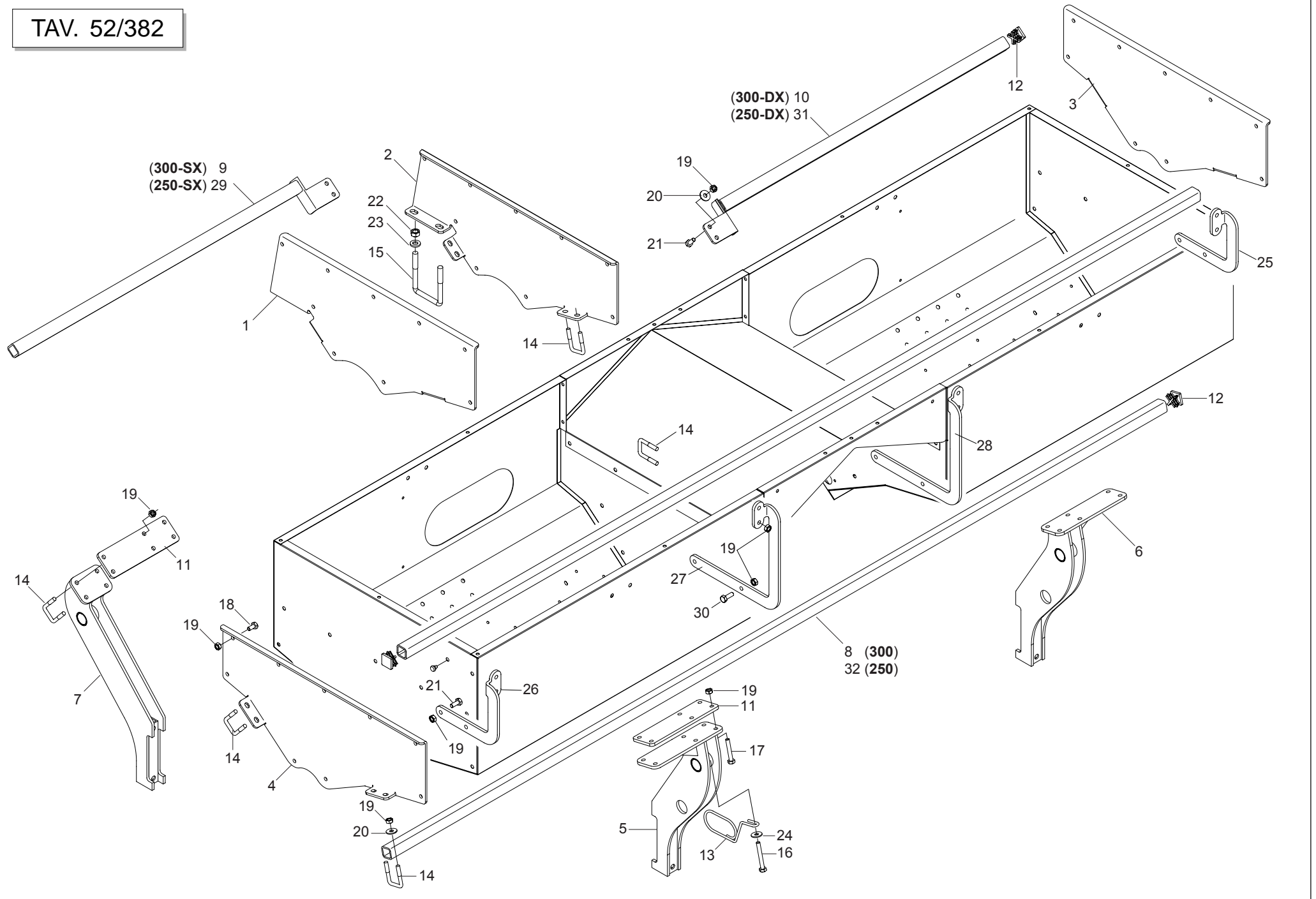
Pos.	Cod.	Descrizione	Description	Description	Benennung	Descripcion
1	14830390	CUSCINETTO FORO QUADRO	SQUARE-HOLED BEARING	ROULEMENT AL+SAGE CARR+	VIERKANTLAGER	COJINETE ORIFICIO CUADRADO
2	15271540	ASSE AGITATORE DX 1100	STIRRER SPINDLE-RIGHT 1100 TAN	AXE AGITATEUR DRT.RESERV.1100	SAMENMISCHERACHSE RE BEH.1100	EJE AGITAD.DER.DEPS.1100 COM A
2	20860121	ASSE AGITAT.DX SERB.850 COMPL.	STIRRER SPINDLE- RIGHT 850 TAN	AXE AGITATEUR DRT. RESERVOIR 8	SAMENMISCHERACHSE RE BEH.850	EJE AGITAD. DER. DEPS.850 COMA
3	15271550	ASSE AGITATORE SX 1100	STIRRER SPINDLE- LEFT 1100	AXE AGITATEUR GCH. 1100	SAMENMISCHERACHSE LINKER 1100	EJE AGITAD. IZQ. 1100
3	20860122	ASSE AGITAT.SX SERB.850 COMPL.	STIRRER SPINDLE- LEFT 850 TANK	AXE AGITATEUR GCH. RESERVOIR 8	SAMENMISCHERACHSE LI BEH.850	EJE AGITAD. IZQ. DEPS. 850 COA
4	15470580	COPERCHIO SERBATOIO 850	TANK TOP 850	COUVERCLE RESERVOIR 650	BEHZLTERDECKEL 850	TAPA DEPSITO 850 A
4	15471920	COPERCHIO SERBATOIO L.1100	TANK COVER L.1100	COUVERCLE RESERVOIR L.1100	BEHZLTERDECKEL L.1100	TAPA DEPS.L.1100 A
5	15471930	PROTEZIONE	GUARD	PROTECTION	SCHUTZ	PROTECCIN P
6	15471990	SUPPORTO COCLEA	SCREW SUPPORT	SUPPORT VIS ALIMENTATION	HALTERUNG SCHNECKE	SOPORTE CCLEA S
7	15472760	GRIGLIA SERBATOIO PLASTICA 850	PLASTIC TANK GRID 850	GRILLE RESERVOIR PLASTIQUE 850	BEHZLTERGITTER PLAST.850	REJILLA DEPSITO PLAST.850 G
7	15473130	GRIGLIA SERBATOIO 1100 PLAST.	PLASTIC TANK GRID 1100	GRILLE RESERVOIR PLAST.1100	BEHZLTERGITTER PLAST.1100	REJILLA DEPSITO PLAST.1100 G
8	15472770	DISTR.COMPL.8PALE SPANDI PL	COMPL.PLAS.FERTIL.DISTR.8RIBS	MINIMAX COMPL 8C PLA	KOMPL.DOSIER.PLA.DÜNGERSTR.8S	DISTR.COMP.ABONO PLAST. 8AL.
9	15472780	TAPPO SPANDI PLASTICA	PLASTIC FERT. SPREADER PLUG	BOUCHON EPAND. PLASTIQUE	PLASTIKPFROPFEN DsNGERSTR.	TAPN ABONADORA PLæSTICO D
10	19002710	PROTEZ.RINNVIO SPANDICONCIME	FERTILIZER TRANSM. PROTECTION	PROTECTION RENVOI FERTILISEUR	SCHUTZ VORGEKLE DUNGERSTREUER	PROTECCION TRANSMISION ABONADO
11	19004470	SERBATOIO CONCIME 850	FERTILIZER HOPPER 850	TR+MIE ENGRAIS 850	D_NGERTANK 850	DEPÉSITO ABONO 850
11	19003060	SERBATOIO 1100 PLASTICA	PLASTIC TANK 1100	RESERVOIR 1100 PLASTIQUE	PLASTIKBEHZLTER 1100	DEPSITO 1100 PLæSTICA B
12	19002850	PROTEZIONE PIGNONE	PINION GUARD	PROTECTION PIGNON	RITZELSCHUTZ	PROTECCIN PIGN PR
13	19002920	CORPO DISTRIBUTORE SPANDI PLA.	PLA. F.SPREADER DISTRIB.CASING	CORPS DISTRIBUTEUR EPAND.	VERTEILUNGSKTRPER STREUER PLA.	CUERPO DIST. ABONADORA PLæS.
14	20860012	MANICOTTO DI UNIONE L.500	JOINT SLEEVE L.500	MANCHON DE RACCORD L. 500	VERBINDUNGSMUFFE L.500	MANGUITO DE UNIN L.500 M
14	20910044	MANICOTTO UNIONE L.1375	JOINT SLEEVE L.1375	MANCHON RACCORD L. 1375	VERBINDUNGSMUFFE L.1375	MANGUITO DE UNIN L.1375 M
14	20910045	MANICOTTO UNIONE L.1180	JOINT SLEEVE L.1180	MANCHON RACCORD L. 1180	VERBINDUNGSMUFFE L.1180	MANGUITO DE UNIN L.1180 M
15	20860052	REGOLATORE APERTURA	OPENING REGULATOR	REGULATEUR OUVERTURE	TFFNUNGSEINSTELLER	REGULADOR ABERTURA
16	20860086	INGRANAGGIO 1/2 Z-12 F.Q.	GEAR 1/2 Z-12 F.Q.	ENGRENAGE 1/2 Z-12 TROUS CARRE	ZAHNRAD 1/2 Z-12 F.Q.	ENGRANAJE 1/2 Z-12 F.Q.
17	20860088	INGRANAGGIO 1/2 Z-12 F.T.	GEAR 1/2 Z-12 F.T.	ENGRENAGE 1/2 Z-12 TROUS RONDS	ZAHNRAD 1/2 Z-12 F.T.	ENGRANAJE 1/2 Z-12 F.T.
18	20860090	ASSE SX 5F.60 L.1460	AXLE- LEFT 5-R.60 L.1460	AXE GCH. 5 RANGEES 60 L. 1460	ACHSE LI 5R.F.60 L.1460	EJE IZQ. 5 FILA. 60 L.1460
19	20860093	VITE DI REGOL.	ADJUSTMENT BOLT	VIS DE REGLAGE	EINSTELLSCHRAUBE.	TORNILLO DE REGULACIN S
20	20860106	DOSATORE SPANDI 8 PALE COMPL.	FERT.METERING DEVICE ASS.8 GRO	ROTOR DOSEUR 8C FERTI	DOSIERER DUNGER.KOMPL. 8 SEKT	DOSIFICADOR ABONO COMP.8 SECT
21	20860126	KIT INGR DISTR CONCIME (2+2)	KIT- MAN. DISTR. GEARS	COUPLE CON DISTR ENGRAIS (2+2)	KIT ZAHNRZDER DsNGERSTREUER	SET ENGRANAJES DISTRIB. ABONO
22	19005040	BOCCOLA ASSE SPANDI	FERT. SPREADER AXLE BUSH	DOUILLE AXE +PANDEUR	ACHSENBUCHSE STREUER	MANGUITO -RBOL ABONADORA
23	22505085	FERMO ASSE IN LAMIERA	PLATE AXLE STOP	ARRET AXE EN TOLE	FESTSTELLVORRICHTUNG BLECHACHS	BLOQUEO EJE DE CHAPA
24	20970097	RONDELLA 32X3X4,5	WASHER 32X3X4-5	RONDELLE 32X3X4-5	UNTERLEGSCHIEBE 32X3X4-5	ARANDELA 32X3X4-5
25	20970125	RONDELLA 28X2,5X6,5	WASHER 28X2-5X6-5	RONDELLE 28X2-5X6-5	ARANDELA 28X2-5X6-5	ARANDELA 28X2-5X6-5
26	22220073	RONDELLA 28X0,3X16,5	WASHER 28X0-3X16-5	RONDELLE 28X0-3X16-5	UNTERLEGSCHIEBE 28X0-3X16-5	ARANDELA 28X0-3X16-5
27	22230094	SUPPORTO CUSCINETTO	BEARING SUPPORT	SUPPORT PALIER	LAGERBSCHSE	SOPORTE COJINETE
28	22250287	MANICOTTO DISTANZIALE SV	SPACER SLEEVE SV	MANCHON ENTRETOISE SV	ABSTANDSMUFFE SV	MANGUITO DISTANCIADOR SV
29	F01020043	VITE 6 X60 5737 8.G ZN	BOLT 6 X60 5737 8.G GALVANIZED	VIS 6 X60 5737 8.G ZN	SCHRAUBE 6 X60 5737 8.G ZN	TORNILLO 6 X60 5737 8.G ZN
30	F01020068	VITE 8 X40 5737 8.G ZN	BOLT 8 X40 5737 8.G GALVANIZED	VIS 8 X40 5737 8.G ZN	SCHRAUBE 8 X40 5737 8.G ZN	TORNILLO 8 X40 5737 8.G ZN
31	F01020403	VITE 6 X16 5739 8.G ZN	BOLT 6X16 5739 8.G GALVANIZED	VIS 6X16 5739 8.G ZN	SCHRAUBE 6X16 5739 8.G ZN	TORNILLO 6X16 5739 8.G ZN
32	F01020432	VITE 8 X16 5739 8.G ZN	BOLT 8X16 5739 8.G GALVANIZED	VIS 8X16 5739 8.G ZN	SCHRAUBE 8X16 5739 8.G ZN	TORNILLO 8X16 5739 8.G ZN
33	F01020472	VITE 10X25 5739 8.G ZN	BOLT 10X25 5739 8.G GALVANIZED	VIS 10X25 5739 8.G ZN	SCHRAUBE 10X25 5739 8.G ZN	TORNILLO 10X25 5739 8.G ZN
34	F01070075	VITE 4,2X38 DIN 7981	BOLT 4-2X38 DIN 7981	VIS 4-2X38 DIN 7981	SCHRAUBE 4-2X38 DIN 7981	TORNILLO 4-2X38 DIN 7981
35	F01070011	VITE AUTOF.4,2X9,5T.E.TAG.F.RO	BOLT- SELF-TAPPING 4-2X9-5T.E.	VIS AUTOTAR. 4-2X9-5 T. E. COU	SELBSTSCHNEID. SCHRAUBE 4-2X9-	TORNILLO AUTORROSC. 4-2X9-5
36	F01200232	DADO 6 5588 6.8 ZN	NUT 6 UNI 5588 6.8 GALVANIZED	ECROU 6 UNI 5588 6.8 ZN	MUTTER 6 UNI 5588 6.8 ZN	TUERCA 6 UNI 5588 6.8 ZN
37	F01200244	DADO 8 5588 6.8 ZN	NUT 8 UNI 5588 6.8 GALVANIZED	ECROU 8 UNI 5588 6.8 ZN	MUTTER 8 UNI 5588 6.8 ZN	TUERCA 8 UNI 5588 6.8 ZN
38	F01220233	DADO TRISTOP M10	NUT TRISTOP M10	ECROU TRISTOP M10	MUTTER TRISTOP M10	TUERCA TRISTOP M10
39	F01410037	RONDELLA D6 UNI 6592 ZN	WASHER D6 UNI 6592 GALVANIZED	RONDELLE D6 UNI 6592 ZN	UNTERLEGSCHIEBE D6 UNI 6592 ZN	ARANDELA D6 UNI 6592 ZN
40	F01410051	RONDELLA D8 UNI 6592 ZN	WASHER D8 UNI 6592 GALVANIZED	RONDELLE D8 UNI 6592 ZN	UNTERLEGSCHIEBE D8 UNI 6592 ZN	ARANDELA D8 UNI 6592 ZN
41	F02100079	SPINA EL.5 X20 DIN 1481	PIN EL. .5 X20 DIN 1481	FICHE EL. 5 X20 DIN 1481	SPANNSTIFT 5X20 DIN 1481	CLAVIJA EL.5 X20 DIN 1481
42	F02100089	SPINA EL.5 X36 DIN 1481	PIN EL. 5 X36 DIN 1481	FICHE EL. 5 X36 DIN 1481	SPANNSTIFT 5 X36 DIN 1481	CLAVIJA EL.5 X36 DIN 1481
43	F02100114	SPINA EL.6 X30 DIN 1481	PIN EL. 6 X30 DIN 1481	FICHE EL. 6 X30 DIN 1481	SPANNSTIFT 6 X30 DIN 1481	CLAVIJA EL.6 X30 DIN 1481
44	F03011081	GUARNIZIONI LABBRO DE100	LIP GASKET DE100	GARNITURES LEVRE DE100	LIPPENDICHTUNG DE100	GUA DELANTERA G
45	F06080196	SPEZ.CAT.1/2 ISO 083 32MA.TR.	CUT-DOWN CHAIN .1/2 ISO 083 32	TRONCON CHAINE 1/2 ISO 083 32	KETTENZNGE 1/2 ISO 083 32 GL	TRECHO CADENA 1/2 ISO 083 32
46	F03100500	TUBO EOLO 35 PU	EOLO PIPE 35 PU	TUBE EOLO 35 PU	ROHR EOLO 35 PU	TUBO EOLO 35 PU
47	65336025	MOLLA SPEC.ZN STRINGIT.ASP.SP	SPEC SPRING ZN FAN . PIPE CLAM	RESSORT SPEC. ZN SERRE-TUBE AS	SPEZIALFEDER ZN RORRSCHELLE AB	MUELLE ESPEC. ZN APRIETA TUBOS
48	65336055	MOLLA SPEC.REGOL.SPAND. SP	SPEC SPRING MAN. SPR. ADJUSTM.	RESSORT SPEC. REGL. EP. ENTRA	SPEZIALFEDER STREUERINSTELLUN	MUELLE ESPEC. REGUL. ABONADORA



(\*) Kit ingranaggi cod. 20860126 (2+2 pezzi)

**SERBATOI SPANDICONCIME PLASTICA**
**TAV. 52/242**

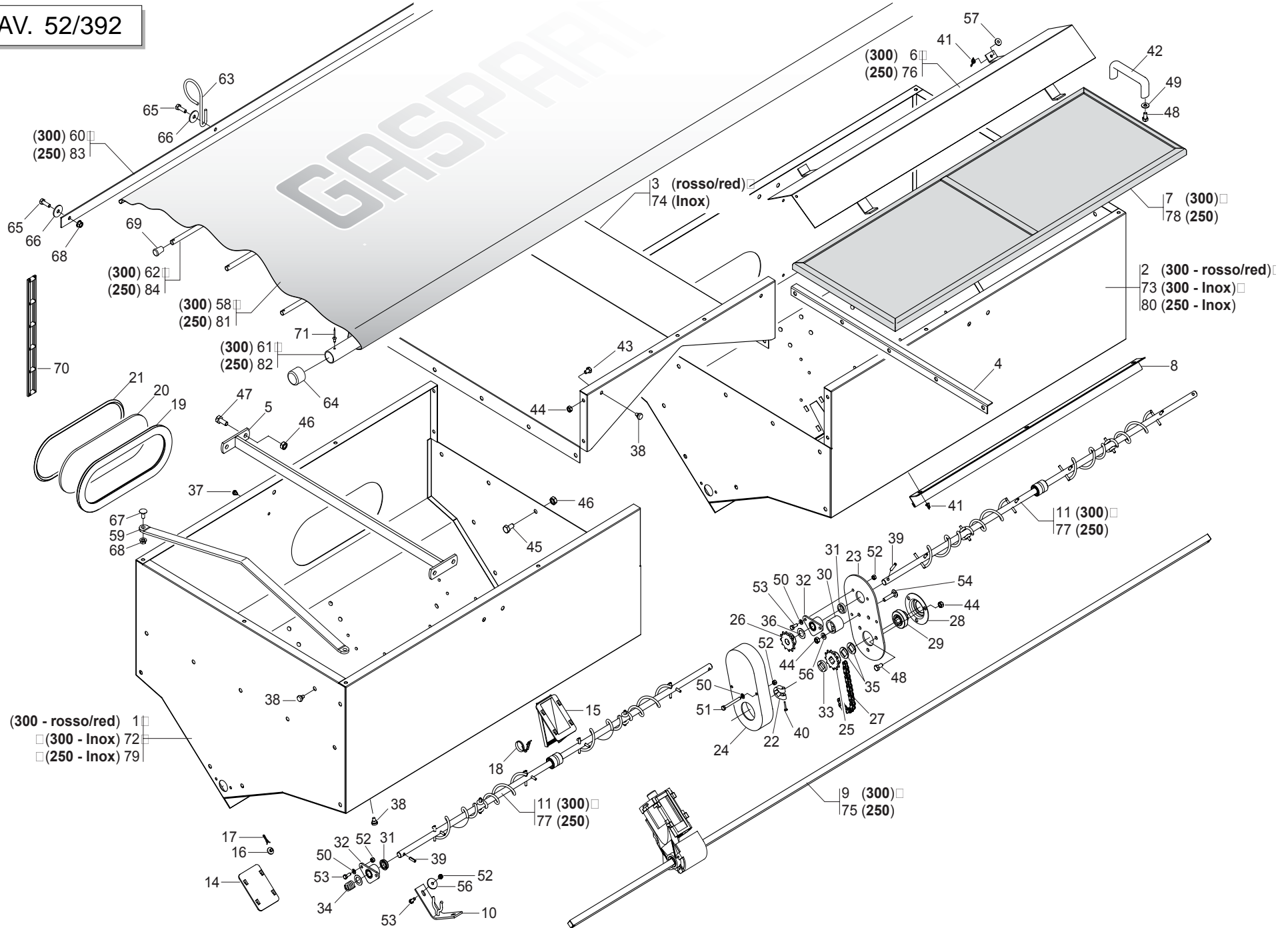
Pos.	Cod.	Descrizione	Description	Description	Benennung	Descripcion
49	65336062	MOLLA SPEC.SCIV.DISTR.SPAND.SP	SPEC SPRING - MAN. SPR. DISTR.	RESS. SPEC. LANCOIR DISTR. EP.	SPEZ.FEDER RUTSCHE SZAPP. STRE	MUELLE ESPEC.PLANO INCL.DISTR.
50	65336064	MOLLA SPEC.COCLEA DX SPAND.HL	SPEC. WORM SCREW SPRING RIGHT	RESSORT SPEC. VIS DRT. EP. ENG	SPEZ.FEDER RE SCHNECKE STREUER	MUELLE ESPEC. TORN.S/F DER. AB
51	65336065	MOLLA SPEC.COCLEA SX SPAND.HL	SPEC. WORM SCREW SPRING LEFT M	RESSORT SPEC. VIS GCH. EP. ENG	SPEZ.FEDER LI SCHNECKE STREUER	MUELLE ESPEC. TORN.S/F IZQ. AB
52	65338043	MOLLA COMP.ZN SERB. M80	ZN TANK COMP.SPRING M80	RESSORT COMPL. ZN RESERVOIR M8	DRUCKFEDER ZN BEHZLTER M80	MUELLE COMP.ZN DEPS. M80 A
53	66248121	BOCCOLA CON FLANGIA M80	BUSHING W/ FLANGE M80	SUPPORT AVEC BRIDE M80	BsCHSE MIT FLANSCH M80	CASQUILLO CON BRIDA M80
54	66248125	GHIERA REGOLAZIONE M80	ADJUSTMENT KNURLED NUT M80	BAGUE REGLAGE M80	EINSTELLMUTTER M80	CONTRATUERCA REGULACIN M80 G
55	66248178	SCIVOLO DISTR.SPAND. SP	CHUTE- MANURE-SPREADER DISTRIB	LANCOIR DISTRIBUTION EP. ENGR.	DsNGERSTREUER RUTSCHE SP	PLANO INCLINADO DISTR. ABON. S
56	66248207	TENDICATENA SPAND. SP-520	CHAIN TENSIONER	TENDEUR DE CHAINE EPAND. ENGR.	KETTENSANNER DsNGERSTR. SP-52	TENSOR DE CADENA ABON. SP-520
57	66248218	RONDELLA DISTAN.SPAND.	MAN. SPR. SPACER WASHER	RONDELLE ENTRETOISE EP. ENGRAI	ABSTANDSCHEIBE DsNGERSTREUER	ARANDELA DISTAN.ABONAD.
58	F03150757	TAPPO FILETT.SERBAT.PLASTICA	PLASTIC TANK THREADED PLUG	BOUCHON FILETE RESERV.PLAST.	GEWINDEPFROPFEN PLASTIKBEH.	TAPN ROSCADO DEPS.PLÆSTICO DO
59	19700821	TABELLA CONCIME SP540	FERTILIZER CHART STICKER	DECALC. TABLEAU DE ENGRAIS	ABZIEHB. TABELLE D_NGER	CAL.TABLAABONO
60	18701500	RONDELLA 29,5 X38 X0,3	WASHER 29,5 X 38 X 0,3	RONDELLE 29,5 X38 X0,3	UNTERLEGSCHIEBE 29,5X38X0,3	ARANDELA 29,5 X38 X0,3
61	15472790	SERBATOIO 850 PLA.2U DX	PLAS.FERT.TANK 850 2 OUT. RH	RESERV 850 PLA 2S COMPL DRT	BEHZLTER 850 PLAST. RE 2 AUSG.	DEPSITO 850 PLA.2 SAL. DER. B
61	15472800	SERBATOIO 850 PLA.2U SX	PLAS.FERT.TANK 850 2 OUT. L	RESERV 850 PLA 2S COMPL GCH	BEHZLTER 850 PLAST. LI 2 AUSG.	DEPSITO 850 PLA.2 SAL. IZQ. B
61	15472810	SERBATOIO 850 PLA.3U DX	PLAS.FERT.TANK 850 3 OUT. RH	RESERV 850 PLA 3S COMPL DRT	BEHZLTER 850 PLAST. RE 3 AUSG.	DEPSITO 850 PLA.3 SAL. DER. B
61	15472820	SERBATOIO 850 PLA.3U SX	PLAS.FERT.TANK 850 3 OUT. LH	RESERV 850 PLA 3S COMPL GCH	BEHZLTER 850 PLAST. LI 3 AUSG.	DEPSITO 850 PLA.3 SAL. IZQ. B
61	15272680	SERBATOIO 1100 3U.DX PLA.COMP.	TANK ASSY.1100 RIGHT 3U	RESERV 1100 PLA 3S COMPL DRT	KOMPL. BEHZLTER 1100 RE 3AUSG	DEPS. COMPL.1100 DER. 3 SAL. B
61	15272720	SERBATOIO 1100 3U.SX PLA.COMP.	TANK ASSY. 1100 LEFT 3U	RESERV 1100 PLA 3S COMPL GCH	KOMPL. BEHZLTER 1100 LI 3AUSG	DEPS. COMPL.1100 IZQ. 3 SAL. B
61	15471430	SERBATOIO 1500 3U DX	TANK ASSY.1500 LEFT 3U	RESERV 1500 FER 3S COMPL DRT	KOMPL. BEHZLTER 500 LI 3U	DEPS. COMPL.500 IZQ. 3 SAL. B
61	15471440	SERBATOIO 1500 3U SX	TANK ASSY.1500 LEFT 3U	RESERV 1500 FER 3S COMPL DRT	KOMPL. BEHZLTER 1500 LI 3U	DEPS. COMPL.1500 IZQ. 3 SAL. B



# SUPPORTI SERBATOIO SPANDICONCIME UNICO

TAV. 52/382

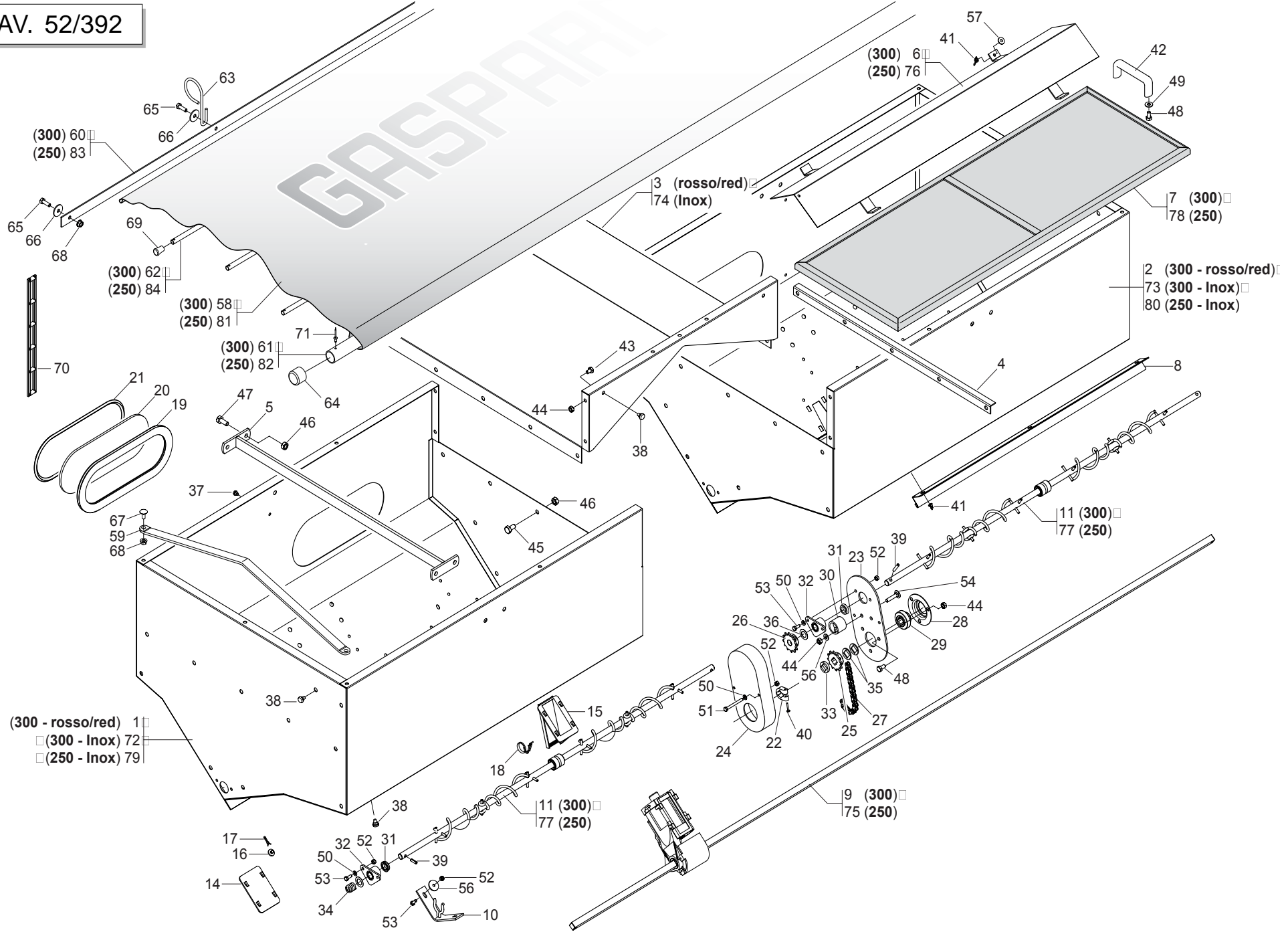
Pos.	Cod.	Descrizione	Description	Description	Benennung	Description
1	15273320	FIANCO SUPPORTO INT. SX	INT. LEFT SUPPORT	SUPPORT INT. GCH.	LINKE INNENHALTERUNG	SOPORTE INTERIOR IZQ.
2	15273330	FIANCO SUPPORTO INT. DX	INT. RIGHT SUPPORT	SUPPORT INT. DRT.	RECHTE INNENHALTERUNG	SOPORTE INTERIOR DER.
3	15273340	FIANCO SUPPORTO EST. DX	EXTERN. RIGHT SUPPORT	SUPPORT EXTERNE DRT.	RECHTE EXT.HALTERUNG	SOPORTE EXT. DER.
4	15273350	FIANCO SUPPORTO EST. SX	EXTERN. LEFT SUPPORT	SUPPORT EXTERNE GCH.	LINKE EXT.HALTERUNG	SOPORTE EXT. IZQ.
5	15273411	SUPPORTO POST.SX LUNGO	REAR SUPPORT LH. LONG	SUPPORT ARRIERE GCH. LONG	HINT. HALTERUNG LI LANGES	SOPORTE TRASERO IZQ. LARGO
6	15273441	SUPPORTO POST.DX	REAR SUPPORT RH.	SUPPORT ARRIERE DRT.	HINT. HALTERUNG RE	SOPORTE TRASERO DER.
7	15273471	SUPPORTO FRONTALE	FRONT SUPPORT	SUPPORT AVANT	VORD. HALTERUNG	SOPORTE DELANTERO
8	07000028	TUBO Q.35 X4 X2980	SQUARE PIPE 35 X 35 X 3 X 2980	TUBE CARRE 35 X 35 X 3 X 2980	VIERKANTROHR 35 X 35 X 3 X 298	TUBO CUADRADO 35 X 35 X 3 X 29
9	15273500	TUBO APPOGGIO FRONT.SX	TUBE REST LH.	TUBE REPOSE GCH.	ROHRENAUFLAGE LI.	TUBO APOYO IZQ.
10	15273520	TUBO APPOGGIO FRONT.DX	TUBE REST RH.	TUBE REPOSE DRT.	ROHRENAUFLAGE RE.	TUBO APOYO DER.
11	15273530	PIASTRAATTACCO SUPPORTO	REST COUPLING PLATE	PLAQUE ATTELAGE SUPPORT	KUPPLUNGSPLATTE HALTERUNG	PLACA CONEXION SOPORTE
12	15475560	TAPPO TUBO 35X35	PLUG PIPE 35X35	BOUCHON TUBE 35X35	ROHRPFROPFEN 35X35	TAP N TUBO 35X35
13	18904050	MOLLA GUIDA 2 TUBI DEPRESS.	TUBE GUIDE SPRING	RESSORT GUIDE-TUBES	EDER ROHRF_HRUNG	MUELLE GUA TUBOS
14	22250272	CAVALLOTTO SUPP.DISCO SV	DISK SUPPORT.ELEMENT U BOLT SV	CAVALIER SUPPORT DISQUE SV	VERBINDUNG SCHEIBENHALTERUNG S	PERNO EN U SOP. DISCO SV
15	15111050	CAVALLOTTO M14X96 - 119 ZN	U-BOLT M14X96 - 119 ZN	CAVALIER M14X96 - 119 ZN	VERBINDUNG M14X96 - 119 ZN	PERNO EN U M14X96 - 119 ZN
16	F01020125	VITE 10X75 5737 8.G ZN	BOLT 10X75 5737 8.G GALVANIZED	VIS 10X75 5737 8.G ZN	SCHRAUBE 10X75 5737 8.G ZN	TORNILLO 10X75 5737 8.G ZN
17	F01020143	VITE M10X 1,5X 65 U5737 8.8 IX	BOLT M10X 1,5X 65 U5737 8.8 IX	VIS M10X 1,5X 65 U5737 8.8 IX	SCHRAUBE M10X 1,5X 65 U5737 8.	TORNIL. M10X 1,5X 65 U5737 8.8
18	F01020462	VITE M10X1,5 X 20 U5739 8.8 IX	BOLT M10X1,5 X 20 U5739 8.8 IX	VIS M10X1,5 X 20 U5739 8.8 IX	SCHRAUBE M10X1,5 X 20 U5739 8.	TORNIL. M10X1,5 X 20 U5739 8.8
19	F01200271	DADO 10 5588 6.8 INOX	NUT 10 5588 6.8 INOX	ECROU 10 5588 6.8 INOX	MUTTER 10 5588 6.8 INOX	TUERCA 10 5588 6.8 INOX
20	F01420059	RONDELLA 11X30X2,5 6593 A2	WASHER 11X30X2,5 6593 A2	RONDELLE 11X30X2,5 6593 A2	UNTERLEGSSCHEIBE 11X30X2,5 6593	ARANDELA 11X30X2,5 6593 A2
21	F01020463	VITE 10X25 5739 INOX A2	SCREW 10X25 5739 INOX A2	VIS 10X25 5739 INOX A2	SCHRAUBE 10X25 5739 INOX A2	TORNILLO 10X25 5739 INOX A2
22	F01200306	DADO 14 5588 6.8 ZN	NUT 14 UNI 5588 6.8 GALVANIZED	ECROU 14 UNI 5588 6.8 ZN	MUTTER 14 UNI 5588 6.8 ZN	TUERCA 14 UNI 5588 6.8 ZN
23	20970011	RONDELLA 28X4X14,5	WASHER 28X4X14,5	RONDELLE 28X4X14,5	UNTERLEGSSCHEIBE 28X4X14,5	ARANDELA 28X4X14,5
24	F01420060	ROND.PIANA 11X30X2,5 6593 ZN	FLAT WASHER 11X30X2-5 6593 ZN	ROND.PLATE 11X30X2-5 6593 ZN	SCHEIBE 11X30X2-5 6593 ZN	ARAND. PLANA 11X30X2-5 6593 ZN
25	15273710	SUPPORTO SX TUBO MICRO	MICRO LEFT LONG SUPPORT	SUPPORT LONG GCH TUBE MICRO	LANGE HALTERUNG LI MICRO	SOPORTE LARGO IZQ. TUBO MICRO
26	15273720	SUPPORTO DX TUBO MICRO	MICRO PIPE SUPPORT R.T	SUPPORT DROIT TUBE MICRO	HALTERUNG RE MICRO	SOPORTE DCHO TUBO MICRO
27	15273730	SUPPORTO LUNGO SX TUBO MICRO	MICRO LH. LONG SUPPORT	SUPPORT LONG GCH. TUBE MICRO	LANGE HALTERUNG LI MICRO	SOPORTE LARGO IZQ. TUBO MICRO
28	15273740	SUPPORTO LUNGO DX TUBO MICRO	MICRO RH. LONG SUPPORT	SUPPORT LONG DROIT TUBE MICRO	LANGE HALTERUNG RE MICRO	SOPORTE LARGO DER. TUBO MICRO
29	15274040	TUBO APPOGGIO FRONTALE SX	TUBE REST LH.	TUBE REPOSE GCH.	ROHRENAUFLAGE LI.	TUBO APOYO IZQ.
30	F01020464	VITE M10X1,5 X 30 U5739 8.8 IX	BOLT M10X1,5 X 30 U5739 8.8 IX	VIS M10X1,5 X 30 U5739 8.8 IX	SCHRAUBE M10X1,5 X 30 U5739 8.	TORNIL. M10X1,5 X 30 U5739 8.8
31	15274050	TUBO APPOGGIO FRONTALE DX	TUBE REST RH.	TUBE REPOSE DRT.	ROHRENAUFLAGE RE.	TUBO APOYO DER.
32	15475130	TUBO SUPPORTO SERBATOIO L.2480	TANK SUPPORT PIPE L.2480	TUBE SUPPORT RESERVOIR L2460	ROHR HALTERUNG BEHZLTER L.2480	TUBO SOPORTE DEPSITO L 2480 T



# SERBATOIO SPANDICONCIME UNICO

TAV. 52/392

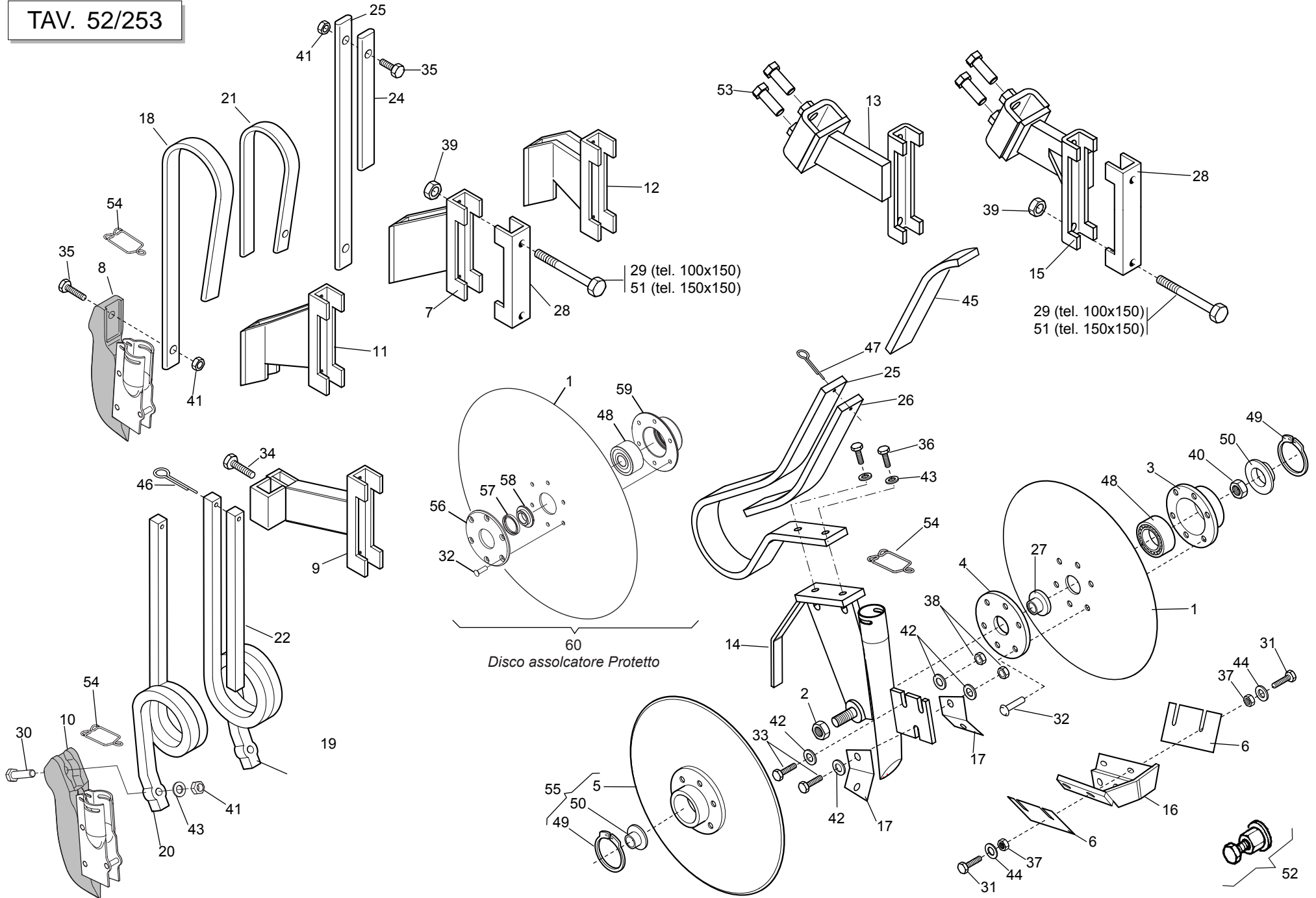
Pos.	Cod.	Descrizione	Description	Description	Benennung	Descripcion
1	15273230	SERBATOIO SX MTE300	LEFT TANK MTE300	RESERVOIR GCH MTE300	BEHZLTER LI MTE300	DEPSITO IZQ. MTE300
2	15273280	SERBATOIO DX MTE300	RIGHT TANK MTE300	RESERVOIR DRT MTE300	BEHZLTER RE MTE300	DEPSITO DER. MTE300
3	15273310	LAMIERA CENTRALE MTE300	UNION UNIT MTE300	ELEM. UNION MTE300	VERBINDUNGSELEM. MTE300	ELEM.UNIEN MTE300
4	15273540	LAMIERA APPOGGIO GRIGLIA	GRID SUPPORT BRACKET	+TRIER SUPPORT GRILLE	GITTERHALTB_GEL	ESTRIBO SOPORTE REJILLA
5	15273560	TIRANTE INTERNO	INT. TIE ROD	TRINGLE INT.	INNERE SPANNSTANGE	TIRANTE INTERIOR
6	15273580	TEGOLO MTE300	BENT TILE MTE300	GALOCHE MTE300	DACHZIEGEL MTE300	TEJAMTE300
7	15273840	GRIGLIA SERBATOIO MTE300	TANK GRID. MTE300	GRILLE RESERVOIR MTE300	BEHZLTERGITTER MTE300	REJILLA DEPS. MTE300
8	15273621	PORTA PULIZIA	CLEANING DOOR	PORTE DE NETTOYAGE	REINIGUNGST_R	PUERTA LIMPIEZA
9	15273750	ASSE TRASM.L.2800	TRANSMISSION SHAFT L. 2800	AXE TRANSMISSION L.2800	ANTRIEBSACHSE L.2800	EJE TRANSM.L.2800
10	15273700	SUPPORTO COCLEA	SCREW SUPPORT	SUPPORT VIS ALIMENTATION	HALTERUNG SCHNECKE	SOPORTE CÉCLEA
11	15273610	ASSE AGITAT.SERBAT.UNICO COMPL	STIRRER SPINDLE BB300 TANK	AXE AGITATEUR RESERVOIR BB300	SAMENMISCHERACHSE BEH. BB300	EJE AGITAD. DEPS. BB300
12	19003660	SUPPORTO	SUPPORT	SUPPORT	HALTERUNG	SOPORTE
13	16670180	INGRANAGGIO Z.15-DISTANZ.COMPL	COMPLETE GEAR Z.15-SPACER	ENGRENAGE Z.15 ENTRET. COMPL.	ZAHNRAD Z.15-KOMPL. DISTANZST	ENGRANAJE Z.15-DISTANC.COMPL
14	66248184	CHIUSURA USCITA SERB.SPAND.SP	OUTLET CLOSURE- MAN.SPREAD. TA	FERMETURE SORTIE RESERVOIR FER	VERSCHLUSS AUSTRITT DsNGERSTR.	CIERRE SALIDA DEPS. ABON. SP I
15	66248187	SCARICO SERB.SPAND.TIPO MICRO	MICRO TYPE MAN.SPR.TANK DISCH.	TRAPPE DE VIDANGE TYPE MICRO	BEHZLTERENTLADUNG STREUER TYP	DESCARGA DEPS. ABON.TIPO MICRD
16	66248224	FERMO DISTRIBUTORE SPAND.	FERT. SPR. DISTRIB. STOP	ARRET DISTRIBUTEUR EP. ENGRAIS	FESTSTELLVORRICHTUNG SZAPP. ST	BLOQUEO DISTRIBUIDOR ABON.
17	65336089	MOLLA SPEC.TENUTA FERMO SPAND.	SPEC.SPRING- BLOCK. MAN. SPR.	RESSORT SPEC. D'ETANCHEITE ARR	SPEZIALFEDER DICHTUNG STREUER	MUELLE ESPEC. RETENC. BLOQ
18	65336080	MOLLA SPEC.SCARICO SPAND.T.M.	SPEC.SPRING- MAN. SPR. DISCHAR	RESSORT SPEC. DECHARGEMENT FER	SPEZIALFEDER STREUERENTLADUNG	MUELLE ESPEC. DESCARGA ABONAD.
19	F03011155	GUARNIZIONE VETRO	GLASS SEAL	GARNITURE VERRRE	GLASDICHTUNG	JUNTA VIDRIO
20	16021080	VETRO CONTROLLO LIVELLO SEMI	SEED LEVEL CHECKING GLASS	VITRE CONTROLE NIV. GRAINES	KONTROLLFENSTER SAMENSTAND	VIDRIO CONTROL NIVEL SEMILLAS
21	68005092	TENDITORE GUARNIZIONE	TURNBUCKLE GASKET	TENDEUR GARNITURE	DICHTUNGSSPANNER	SENSOR JUNTA
22	22505085	FERMO ASSE IN LAMIERA	PLATE AXLE STOP	ARRET AXE EN TOLE	FESTSTELLVORRICHTUNG BLECHACHS	BLOQUEO EJE DE CHAPA
23	15471930	PROTEZIONE	GUARD	PROTECTION	SCHUTZ	PROTECCIN P
24	17170270	PROTEZIONE RINVIO SERBATOIO	INTERNAL TRANSMISS. TANK PROTE	PROTECTION RENVOI TREMIE	VORGELEGESCHUTZ BEH-LTER	PROTECCION ENVIO DEPOSITO
25	20860086	INGRANAGGIO 1/2 Z-12 F.Q.	GEAR 1/2 Z-12 F.Q.	ENGRENAGE 1/2 Z-12 TROUS CARRE	ZAHNRAD 1/2 Z-12 F.Q.	ENGRANAJE 1/2 Z-12 F.Q.
26	20860088	INGRANAGGIO 1/2 Z-12 F.T.	GEAR 1/2 Z-12 F.T.	ENGRENAGE 1/2 Z-12 TROUS RONDS	ZAHNRAD 1/2 Z-12 F.T.	ENGRANAJE 1/2 Z-12 F.T.
27	F06080196	SPEZ.CAT.1/2 ISO 083 32MA.TR.	CUT-DOWN CHAIN .1/2 ISO 083 32	TRONCON CHAINE 1/2 ISO 083 32	KETTENZLNZGE 1/2 ISO 083 32 GL	TRECHO CADENA 1/2 ISO 083 32
28	22230094	SUPPORTO CUSCINETTO	BEARING SUPPORT	SUPPORT PALIER	LAGERBSCHSE	SOPORTE COJINETE
29	14830390	CUSCINETTO FORO QUADRO	SQUARE-HOLED BEARING	ROULEMENT AL+SAGE CARR+	VIERKANTLAGER	COJINETE ORIFICIO CUADRADO
30	66248207	TENDICATENA SPAND. SP-520	CHAIN TENSIONER	TENDEUR DE CHAINE EPAND. ENGR.	KETTENSANNER DsNGERSTR. SP-52	SENSOR DE CADENA ABON. SP-520
31	F03011081	GUARNIZIONI LABBRO DE100	LIP GASKET DE100	GARNITURES LEVRE DE100	LIPPENDICHTUNG DE100	GUA DELANTERA G
32	66248121	BOCCOLA CON FLANGIA M80	BUSHING W/ FLANGE M80	SUPPORT AVEC BRIDE M80	BsCHSE MIT FLANSCH M80	CASQUILLO CON BRIDA M80
33	66248218	RONDELLA DISTAN.SPAND.	MAN. SPR. SPACER WASHER	RONDELLE ENTRETOISE EP. ENGRAI	ABSTANDSCHEIBE DsNGERSTREUER	ARANDELA DISTAN.ABONAD.
34	65338043	MOLLA COMP.ZN SERB. M80	ZN TANK COMP.SPRING M80	RESSORT COMPL. ZN RESERVOIR M8	DRUCKFEDER ZN BEHZLTER M80	MUELLE COMP.ZN DEPS. M80 A
35	18701650	RONDELLA FORO QUADRO ZN	WASHER 16,5X30X2,5 ZN	RONDELLE 16,5X30X2,5 ZN	UNTERLEGSCHSEIBE 16,5X30X2,5 ZN	ARANDELA 16,5X30X2,5 ZN
36	22220073	RONDELLA 28X0,3X16,5	WASHER 28X0-3X16-5	RONDELLE 28X0-3X16-5	UNTERLEGSCHSEIBE 28X0-3X16-5	ARANDELA 28X0-3X16-5
37	19003160	TAPPO PER FORO D.7	PLUG FOR D.7 HOLE	BOUCHON POUR TROU D.7 P	FROPFEN Fsr LOCH D.7 T	APN PARA AGUJERO D.7 DO
38	66248223	TAPPO SUPP.SPAND.D.11	PLUG MAN. SPR. SUPP. D.11	BOUCHON SUPPORT EP. ENGRAIS D.	HALTERUNGSPFROPFEN DsNGERSTR.	TAPN SOPORTE ABON.D.11 D
39	F02100114	SPINA EL.6 X30 DIN 1481	PIN EL. 6 X30 DIN 1481	FICHE EL. 6 X30 DIN 1481	SPANNSTIFT 6 X30 DIN 1481	CLAVIJA EL.6 X30 DIN 1481
40	F01070074	VITE 4,2X25 DIN 7981	BOLT 4-2X25 DIN 7981	VIS 4-2X25 DIN 7981	SCHRAUBE 4-2X25 DIN 7981	TORNILLO 4-2X25 DIN 7981
41	F01240012	DADO 6 5448 5.8 ZN	NUT 6 UNI 5448 5.8 ZN	ECROU 6 UNI 5448 5.8 ZN	MUTTER 6 UNI 5448 5.8 ZN	TUERCA 6 UNI 5448 5.8 ZN
42	67008045	MANIGLIA	HANDLE	POIGNEE	GRIFF	MANIJA
43	F01020426	VITE M8 X1,25X 12 U5739 8.8 IX	BOLT M8 X1,25X 12 U5739 8.8 IX	VIS M8 X1,25X 12 U5739 8.8 IX	SCHRAUBE M8 X1,25X 12 U5739 8.8	TORNIL. M8 X1,25X 12 U5739 8.8
44	F01200245	DADO M 8X1,25 U5588 6.8 IX	NUT M 8X1,25 U5588 6.8 IX	ECROU M 8X1,25 U5588 6.8 I	MUTTER M 8X1,25 U5588 6.8	TUERCA M 8X1,25 U5588 6.8
45	F01020462	VITE M10X1,5 X 20 U5739 8.8 IX	BOLT M10X1,5 X 20 U5739 8.8 IX	VIS M10X1,5 X 20 U5739 8.8 IX	SCHRAUBE M10X1,5 X 20 U5739 8.8	TORNIL. M10X1,5 X 20 U5739 8.8
46	F01200271	DADO 10 5588 6.8 INOX	NUT 10 5588 6.8 INOX	ECROU 10 5588 6.8 INOX	MUTTER 10 5588 6.8 INOX	TUERCA 10 5588 6.8 INOX
47	F01020463	VITE 10X25 5739 INOX A2	SCREW 10X25 5739 INOX A2	VIS 10X25 5739 INOX A2	SCHRAUBE 10X25 5739 INOX A2	TORNILLO 10X25 5739 INOX A2
48	F01020434	VITE M 8X1,25X 16 U5739 8.8 IX	BOLT M 8X1,25X 16 U5739 8.8 IX	VIS M 8X1,25X 16 U5739 8.8 IX	SCHRAUBE M 8X1,25X 16 U5739 8.8	TORNIL. M 8X1,25X 16 U5739 8.8
49	20970140	RONDELLA 20X2X8,5	WASHER 20X2X8,5	RONDELLE 20X2X8,5	UNTERLEGSCHSEIBE 20X2X8,5	ARANDELA 20X2X8,5
50	F01410035	RONDELLA ACC.INOX A2 D 6 6592*	S. STEEL WASHER A2 D 6 6592*	RONDELLE AC.INOX A2 D 6 6592*	EDELST.UNTERL.SCH. A2D6 6592*	ARANDELA AC.INOX A2 D 6 6592*
51	F01020043	VITE 6 X60 5737 8.G ZN	BOLT 6 X60 5737 8.G GALVANIZED	VIS 6 X60 5737 8.G ZN	SCHRAUBE 6 X60 5737 8.G ZN	TORNILLO 6 X60 5737 8.G ZN
52	F01200233	DADO M 6X 1 U5588 IX	NUT M 6X 1 U5588 IX	ECROU M 6X 1 U5588 I	MUTTER M 6X 1 U5588	TUERCA M 6X 1 U5588
53	F01020419	VITE M6 X1 X 16 U5739 8.8 IX	BOLT M6 X1 X 16 U5739 8.8 IX	VIS M6 X1 X 16 U5739 8.8 IX	SCHRAUBE M6 X1 X 16 U5739 8.8	TORNIL. M6 X1 X 16 U5739 8.8
54	F01020068	VITE 8 X40 5737 8.G ZN	BOLT 8 X40 5737 8.G GALVANIZED	VIS 8 X40 5737 8.G ZN	SCHRAUBE 8 X40 5737 8.G ZN	TORNILLO 8 X40 5737 8.G ZN
55	F01020398	VITE 6 X12 5739 8.G ZN	BOLT 6X12 5739 8.G GALVANIZED	VIS 6X12 5739 8.G ZN	SCHRAUBE 6X12 5739 8.G ZN	TORNILLO 6X12 5739 8.G ZN





**SERBATOIO SPANDICONCIME UNICO**
**TAV. 52/392**

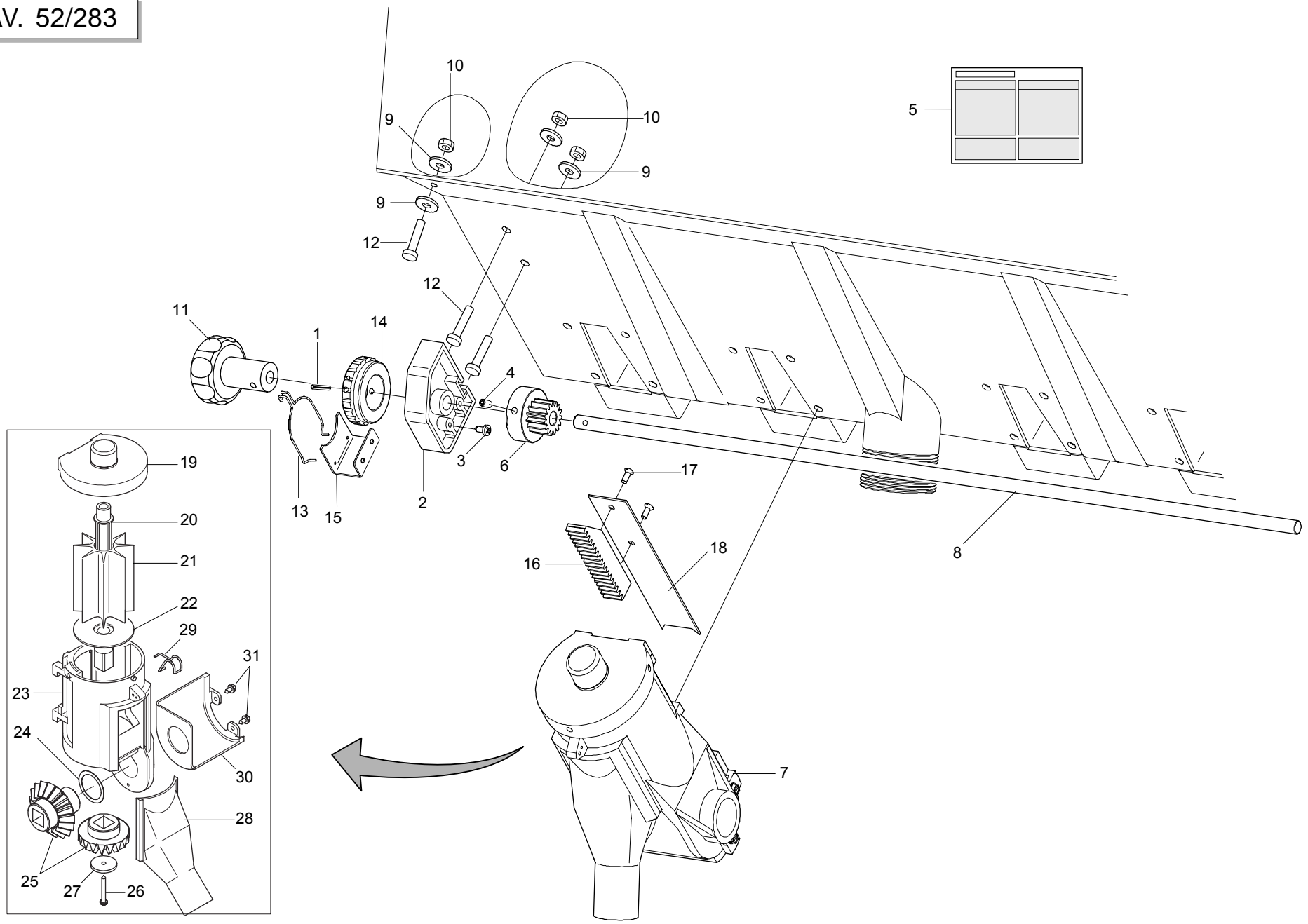
Pos.	Cod.	Descrizione	Description	Description	Benennung	Descrpcion
56	20970125	RONDELLA 28X2,5X6,5	WASHER 28X2-5X6-5	RONDELLE 28X2-5X6-5	UNTERLEGSCHIEBE 28X2-5X6-5	ARANDELA 28X2-5X6-5
57	F01420039	ROSETTA M6 6,4X24X2 U6593 IX	WASHER M6 6,4X24X2 U6593 IX	RONDELLE M6 6,4X24X2 U6593 IX	SCHIEBE M6 6,4X24X2 U6593 IX	ARANDELA M6 6,4X24X2 U6593 IX
58	15273771	TELO COPRISERBATOIO MTE300	HOPPER COVER-SHEET MTE300	TOILE COUVRE-TREMIE MTE300	TRICHTERABDECKTUCH MTE300	ONA PROTEC. TOLVA MTE300
59	15273631	SUPPORTO TELO COPRISERBATOIO	COVERING SUPPORT	SUPPORTO TOILE	PLANENHALTERUNG	SOPORTE LONA
60	15273680	ASTA FISSAGGIO TELO	FIXING ROD	TIGE DE FIXATION	BEFESTIGUNGSTANGE	VARILLA DE FIJACIN
61	15273660	TUBO TELO COPRISERBATOIO	HOPPER COVER-SHEET TUBE	TUBE TOILE COUVRE-TREMIE	ROHR TRICHTERABDECKTUCH	TUBO ONA PROTEC. TOLVA
62	15273670	TUBO RINFORZO TELO	REINFORCEMENT ROD	TIGE DE RENFORCEMENT	VERSTZRKUNGSSTANGE	VARILLA DE REFUERZO
63	65336131	ANELLO TUBO ASPIR.SEMINATORE	SEED DRILL ASPIRATN. TUBE RING	BAGUE TUBE ASPIR. SEMEUR	SAUGROHRRING SZREIHE	ANILLO TUBO ASPIR.SEMBRADOR
64	66248098	TAPPO CONVOGLIATORE DEPR. SP	AIR PUMP CONVEYOR PLUG SP	BOUCHON CONVOYEUR TURBINE SP	VAKUUM FTRDERPFROPFEN SP	TAPN CONDUCTOR DEPR. SP D
65	F01020457	VITE M8 X1,25X 20 U5739 8.8 IX	BOLT M8 X1,25X 20 U5739 8.8 IX	VIS M8 X1,25X 20 U5739 8.8 IX	SCHRAUBE M8 X1,25X 20 U5739 8.	TORNIL. M8 X1,25X 20 U5739 8.8
66	F01420049	ROSETTA M8 8,4X32X2 U6593 ZG	WASHER M8 8,4X32X2 U6593 ZG	RONDELLE M8 8,4X32X2 U6593 ZG	SCHIEBE M8 8,4X32X2 U6593 ZG	ARANDELA M8 8,4X32X2 U6593 ZG
67	F01060040	VITE 8 X20 5732 4.6 ZN	BOLT 8 X20 5732 4.6 GALVANIZED	VIS 8 X20 5732 4.6 ZN	SCHRAUBE 8 X20 5732 4.6 ZN	TORNILLO 8 X20 5732 4.6 ZN
68	F01260043	DADO FLANG.M8 DIN 6923 8.8 ZN	FLANGE NUT M8 DIN 6923 8.8 GAL	ECROU BRIDE .M8 DIN 6923 8.8 Z	GEFLANSCHTE MUTTER M8 DIN6923	TUERCA BRIDA M8 DIN 6923 8.8 Z
69	F05150472	PUNTALE PVC D.10	PVC TIP D.10	EMBOUT PVC D. 10	STTSSELSCHAFT PVC D.10	PUNTAL PVC D.10
70	F06080487	CATENA AGGANCIO TELO IN GOMMA	RUBBER FRAME CONNECTION CHAIN	CHA+NE ACCROCHAGE TOILE EN CAO	KETTE BEFESTIGUNG GUMMITUCH	CADENA ENGANCHE LONA DE CAUCHO
71	F02250123	RIVETTO STR. 4,8X 9 U9200A AL	PULL RIVET 4,8X 9 U9200A ALL	RIVET A RUPTURE 4,8X 9 U9200A	REISSNIETE 4,8X 9 U9200A ALL	REMACHE DESGAR. 4,8X 9 U9200A
72	15274660	SERBATOIO SX INOX	LEFT TANK INOX	RESERVOIR GCH INOX	BEHZLTER LI INOX	DEPSITO IZQ. INOX
73	15274670	SERBATOIO DX INOX	RIGHT TANK INOX	RESERVOIR DRT INOX	BEHZLTER RE INOX	DEPSITO DER. INOX
74	15274680	LAMIERA CENTRALE INOX	UNION UNIT INOX	ELEM. UNION INOX	VERBINDUNGSELEM. INOX	ELEM.UNIËN INOX
75	13732200	ASSE TRASMISSIONE L.2485	TRANSMISSION AXLE L2485	AXE TRANSMISSION L.2485	sBERTRAGUNGSACHSE L.2485	EJE TRANSMISIN L 2485 A
76	15274060	TEGOLO 250	BENT TILE 250	GALOCHE 250	DACHZIEGEL 250	TEJA 250
77	15274080	ASSE AGITAT.S.UNICO 250 COMPL	STIRRER SPINDLE BB250 TANK	AXE AGITATEUR RESERVOIR BB250	SAMENMISCHERACHSE BEH. BB250	EJE AGITAD. DEPS. BB250
78	15274150	GRIGLIA SERBATOIO	TANK GRID.	GRILLE RESERVOIR	BEHZLTERGITTER	REJILLA DEPS.
79	15274690	SERBATOIO SX 250 INOX	LEFT TANK 250 INOX	RESERVOIR GCH 250 INOX	BEHZLTER LI 250 INOX	DEPSITO IZQ. 250 INOX
80	15274700	SERBATOIO DX 250 INOX	RIGHT TANK 250 INOX	RESERVOIR DRT 250 INOX	BEHZLTER RE 250 INOX	DEPSITO DER. 250 INOX
81	15274120	TELO COPRISERBATOIO BB	HOPPER COVER-SHEET BB	TOILE COUVRE-TREMIE BB	TRICHTERABDECKTUCH BB	ONA PROTEC. TOLVA BB
82	15274100	TUBO TELO COPRISERBATOIO	HOPPER COVER-SHEET TUBE	TUBE TOILE COUVRE-TREMIE	ROHR TRICHTERABDECKTUCH	TUBO ONA PROTEC. TOLVA
83	15274090	ASTA FISSAGGIO TELO	FIXING ROD	TIGE DE FIXATION	BEFESTIGUNGSTANGE	VARILLA DE FIJACIN
84	13722250	TUBO RINFORZO TELO COPRISEME	REINFORCEMENT TUBE	TUBE DE RENFORCEMENT	VERSTZRKUNGROHR	TUBO DE REFUERZO



# ELEMENTI DI CONCIMAZIONE

TAV. 52/253

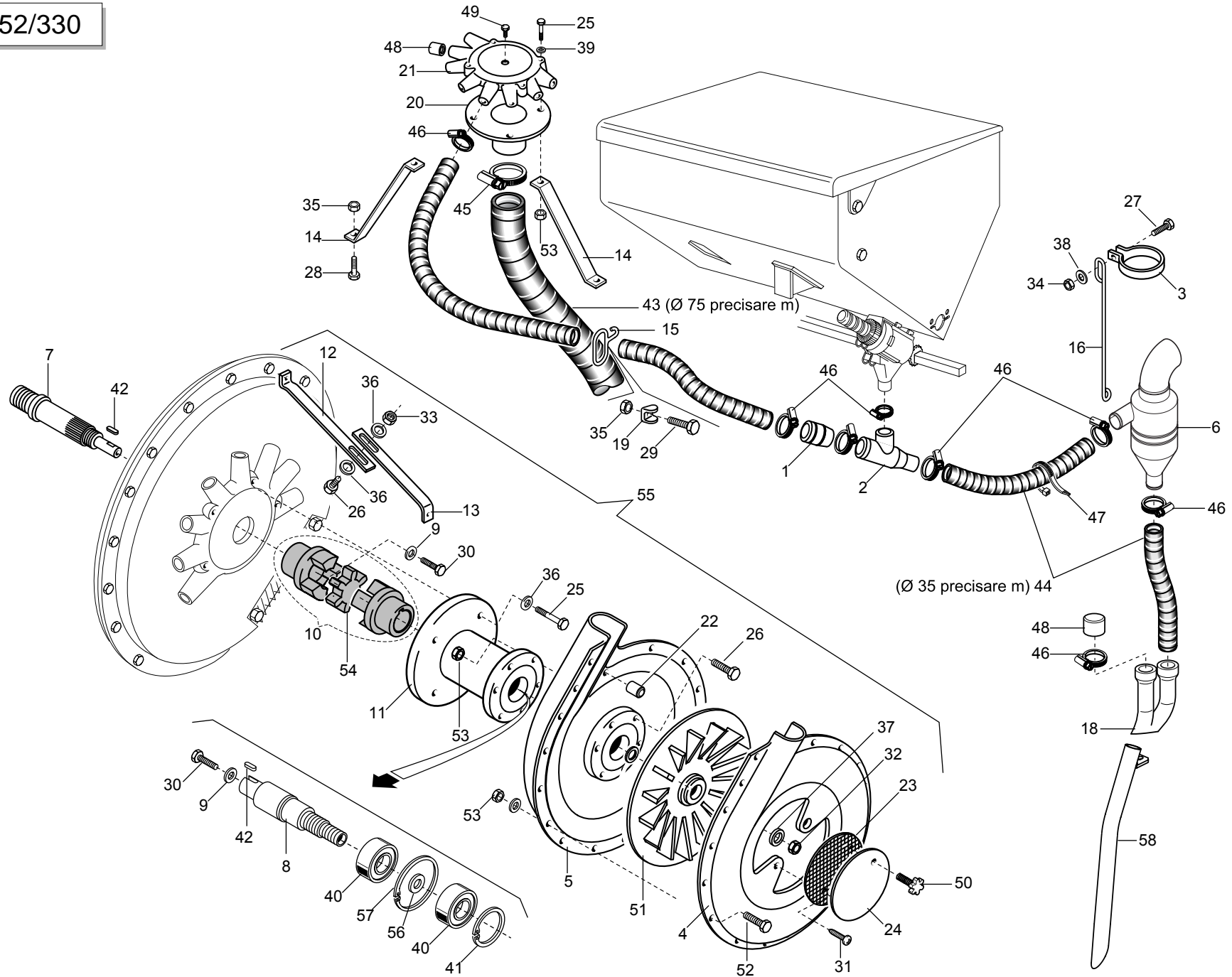
Pos.	Cod.	Descrizione	Description	Description	Benennung	Descripcion
1	13825091	DISCO ASSOLCATORE D.373	FURROW OPENER DISK D.373	DISQUE D. 373 6 T.D.6	SCHEIBE SZSCHARENREISSER D.373	DISCO SURCADOR D.373
2	15220540	DADO M16X1,5 SX	NUT M16X1-5 LEFT	ECROU M16X1-5 GCH	MUTTER M16X1-5 LI	TUERCA M16X1-5 IZQ
3	15223651	SUPPORTO CUSCINETTO DISCO	DISK BEARING SUPPORT	SUPPORT PALIER DISQUE	SCHEIBENLAGERBsCHSE	SOPORTE COJINETE DISCO
4	15421761	FLANGIA INTERNA DISCO	INNER DISK FLANGE	BRIDE INT. DISQUE	INNENFLANSCH SCHEIBE	BRIDA INTERIOR DISCO
5	22505054	DISCO D.370 MT-600	TOOTHED DISK D.370 MT-600	DISQUE D370 MT A/MOY-ROUL	SCHEIBE D.370 MT-600	DISCO D.370 MT-600
6	15422230	RASCHIATERRA DISCO	DISK SOIL-SCRAPER	RACLEUR DISQUE	ERDSCHABER SCHEIBE	RASCADOR DISCO
7	15470232	SUPPORTO MOLLA PIATTA 150	FLAT SPRING SUPPORT 150	SUPPORT RESSORT PLAT 150	HALTERUNG FLACHFEDER 150	SOPORTE MUELLE PLANO 150
8	16670610	FALCIONE ELEM.CONCIMAZ.PIATTA	FLAT FERTILIZATION COULTER ELE	SOC +LEM. FERTILIS. RESSORT PL	S-SCHAR ELEM.D. NGUNG FLACHFEDE	BOTA ELEM.ABONAD. MUELLE PLANO
9	15470913	SUPPORTO MOLLA QUADRA DOPPIA	SQUARE SPRING SUPPORT	SUPPORT RESSORT CARRE	HALTERUNG VIERKANTFEDER	SOPORTE MUELLE CUADRADO
10	16670600	FALCIONE ELEM.CONCIMAZ.QUADRA	BASIC SQUARE FERTILIZATION COU	SOC +LEM. FERTILIS. RESSORT CA	S-SCHAR ELEM.D. NGUNG QUADR.FED	BOTA ELEM.ABONAD.MUELLE CUADRA
11	15471661	SUPPORTO MOLLA PIATTA DX 150	FLAT SPRING SUPPORT R.T 150	SUPPORT RESSORT PLAT DROIT 150	HALTERUNG FLACHFEDER RE 150	SOPORTE MUELLE PLANO DCHO 150
12	15471671	SUPPORTO MOLLA PIATTA SX 150	FLAT SPRING SUPPORT L.T 150	SUPPORT RESSORT PLAT GAUCHE 15	HALTERUNG FLACHFEDER LI 150	SOPORTE MUELLE PLANO IQDO 150
13	16670470	SUPPORTO MOLLA SX DISCHI CONC.	LEFT SPRING SUPPORT FOR FERT.	SUPPORT RESSORT GAUCHE DISQUES	HALTERUNG FEDER LINKS D. NGERSC	SOPORTE MUELLE IZDO. DISC. CON
14	16670270	SUPPORTO DISCHI CONCIMAZIONE	FERTILIZATION DISC SUPPORT	SUPPORT DISQUES FERTILISATION	HALTERUNG D. NGUNGSSCHEIBEN	SOPORTE DISCOS ABONO
15	16670430	SUPPORTO MOLLA DX DISCHI CONC.	RIGHT MANURE DISKS SPRING SUPP	SUPP. RESSORT DRT DISQUES FUM.	HALTERUNG FEDER RE DsNGUNGSSCH	SOPORTE MUELLE DER DISCOS ABON
16	15472290	SUPPORTO RASCHIAT.DISCHI CONC.	MANURE DISKS SOIL SCRAPER SUPP	SUPP. RACLEUR DISQUES FUMAGE	HALTER. ERDSCHABER DsNGUNGSSCH	SOPORTE RASCADOR DISCOS ABONO
17	15472300	RASCHIATERRA INTERNO DISCHI	SOIL SCRAPER INNER DISKS	RACLEUR INTERNE DISQUES	INT. ERDSCHABER SCHEIBEN	RASCADOR TIERRA INTERIOR DISCO
18	18901092	GAMBO CONCIMAZ.MOLLA PIATTA SP	FLAT SPRING MANURING LEG SP	TIGE FUMAGE RESSORT PLAT SP	SCHAFT DsNGUNG FLACHE FEDER SP	VæSTAGO ABONO MUELLE CHATO SP
19	18902770	MOLLA CONCIMAZIONE 20X20 DX	RIGHT MANURING SPRING 20X20	RESSORT FUMAGE 20X20 DRT	FEDER DsNGUNG 20X20 RE	MUELLE ABONO 20X20 DER
20	18902780	MOLLA CONCIMAZIONE 20X20 SX	LEFT MANURING SPRING 20X20	RESSORT FUMAGE 20X20 GCH	FEDER DsNGUNG 20X20 LI	MUELLE ABONO 20X20 IZQ
21	18902861	RINF.MOLLA PIATTA CONCIM.SP	MANUR.PLATE SPRING REINFORCE.S	RENF. RESSORT PLAT FUMAGE SP	VERSTZRKUNG FLACHFEDER DsNGUNG	REFUERZO MUELLE ABONO SP
22	18903200	FERMO SPIRALE	SPIRAL STOP	ARRET SPIRALE	FESTSTELLVORRICHTUNG SPIRALE	BLOQUEO ESPIRAL
23	18903210	MOLLA CONCIM.FILE DISPARI	ODD NUMBER ROW MANUR.SPRING	RESS. FUMAGE RANGEES IMPAIRES	FEDER DsNGUNG UNGERADE REIHEN	MUELLE ABONO FILAS IMPARES
24	18903220	RINF.MOLLA CONCIM.FILE DISP.	ODD NUM. ROW MANUR.SPRING REIN	RENF. RESS. FUMAGE RANGEES IMP	VERST. FEDER DsNG. UNGERADE RE	REFUERZO MUELLE ABONO FILAS IM
25	18903820	MOLLA CONCIMAZIONE DISCO	DISC FERTILIZATION SPRING	RESSORT FERTILISATION DISQUE	FEDER D. NGUNG SCHEIBE	MUELLE ABONO DISCO
26	18903900	MOLLA RINF.CONCIMAZIONE DISCO	DISC FERTILIZATION REINF. SPRI	RESSORT RENF. FERTILISATION DI	VERST. FEDER D. NGUNG SCHEIBE	MUELLE REF. ABONO DISCO
27	13825081	BOCCOLA PARAPOLVERE DISCO	DISC DUST SEAL BUSH	DOUILLE PARE-POUSSI+RE DISQUE	BUCHSE STAUBABDECKUNG SCHEIBE	MANGUITO GUARDAPOLVO DISCO
28	15110091	SCONTRO A U	STRIKER	BRIDE 150 MM	ANSCHLAG	ELEMENTO DE EMPALME
29	41601101	VITE 14 X160 5737 8.G	BOLT M 14 X160 5737 8.G	VIS M 14 X160 5737 8.G	SCHRAUBE M 14 X160 5737 8.G	TORNILLO M 14 X160 5737 8.G
30	F01020156	VITE 12X50 5737 8.G ZN	BOLT12X505737 8.G GALVANIZED	VIS 12X50 5737 8.G ZN	SCHRAUBE 12X50 5737 8.G ZN	TORNILLO 12X50 5737 8.G ZN
31	F01020403	VITE 6 X16 5739 8.G ZN	BOLT 6X16 5739 8.G GALVANIZED	VIS 6X16 5739 8.G ZN	SCHRAUBE 6X16 5739 8.G ZN	TORNILLO 6X16 5739 8.G ZN
32	F02250521	RIBATTINO TSC 6X19,8 A/2	RIVET TSC 6X19,8 A/2	RIVET TSC 6X19,8 A/2	NIETE TSC 6X19,8 A/2	REMACHE TSC 6X19,8 A/2
33	F01020476	VITE 10X30 5739 8.G ZN	BOLT 10X30 5739 8.G GALVANIZED	VIS 10X30 5739 8.G ZN	SCHRAUBE 10X30 5739 8.G ZN	TORNILLO 10X30 5739 8.G ZN
34	F01020508	VITE 12X25 5739 8.G ZN	SCREW 12X25 5739 8.G GALVANIZ.	VIS 12X25 5739 8.G ZN	SCHRAUBE 12X25 5739 8.G ZN	TORNILLO 12X25 5739 8.G ZN
35	F01020512	VITE 12X35 5739 8.G ZN	BOLT 12X35 5739 8.G GALVANIZED	VIS 12X35 5739 8.G ZN	SCHRAUBE 12X35 5739 8.G ZN	TORNILLO 12X35 5739 8.G ZN
36	F01020514	VITE 12X40 5739 8.G ZN	BOLT 12X40 5739 8.G GALVANIZED	VIS 12X40 5739 8.G ZN	SCHRAUBE 12X40 5739 8.G ZN	TORNILLO 12X40 5739 8.G ZN
37	F01200232	DADO 6 5588 6.8 ZN	NUT 6 UNI 5588 6.8 GALVANIZED	ECROU 6 UNI 5588 6.8 ZN	MUTTER 6 UNI 5588 6.8 ZN	TUERCA 6 UNI 5588 6.8 ZN
38	F01200270	DADO 10 5588 6.8 ZN	SCREW 10 UNI 5588 6.8 GALVANIZ	ECROU 10 UNI 5588 6.8 ZN	MUTTER 10 UNI 5588 6.8 ZN	TUERCA 10 UNI 5588 6.8 ZN
39	F01200306	DADO 14 5588 6.8 ZN	NUT 14 UNI 5588 6.8 GALVANIZED	ECROU 14 UNI 5588 6.8 ZN	MUTTER 14 UNI 5588 6.8 ZN	TUERCA 14 UNI 5588 6.8 ZN
40	F01200442	DADO 16X1,5 5589 6.8 ZN	NUT 16X1-5 UNI 5589 6.8 GALVAN	ECROU 16X1-5 UNI 5589 6.8 ZN	MUTTER 16X1-5 UNI 5589 6.8 ZN	TUERCA 16X1-5 UNI 5589 6.8 ZN
41	F01220244	DADO TRISTOP M12	NUT-TRISTOP M12	ECROU TRISTOP M12	MUTTER TRISTOP M12	TUERCA TRISTOP M12
42	F01410064	RONDELLA D10 UNI 6592 ZN	WASHER D10 UNI 6592 GALVANIZED	RONDELLE D10 UNI 6592 ZN	UNTERLEGSSCHEIBE D10 UNI 6592 Z	ARANDELA D10 UNI 6592 ZN
43	F01410076	RONDELLA D12 UNI 6592 ZN	WASHER D12 UNI 6592 ZN	RONDELLE D12 UNI 6592 ZN	UNTERLEGSSCHEIBE D12 UNI 6592 Z	ARANDELA D12 UNI 6592 ZN
44	F01420036	ROND.PIANA 6,6X 18X2 6593 ZN	FLAT WASHER 6-6X 18X2 6593 ZN	ROND. PLATE 6-6X 18X2 6593 ZN	SCHEIBE 6-6X 18X2 6593 ZN	ARAND. PLANA 6-6X 18X2 6593 ZN
45	16670630	SPESSORE MOLLA DISCHI CONCIM.	SHIMS	CALE	ZWISCHENLEGSSCHEIBE	ESPACIADOR
46	F02200229	COPIGLIA 5 X45 1336 ZN	SPLIT PIN 5 X45 1336 GALVAN.	GOUPILLE 5 X45 1336 ZN	SPLINT 5 X45 1336 ZN	PASADOR 5 X45 1336 ZN
47	F02200228	COPIGLIA 5 X35 1336 ZN	SPLIT PIN 5 X35 1336 GALVAN.	GOUPILLE 5 X35 1336 ZN	SPLINT 5 X35 1336 ZN	PASADOR 5 X35 1336 ZN
48	F04010084	CUSCINETTO 3303 2RS	BEARING 3303 2RS	PALIER 3303 2RS	LAGER 3303 2RS	COJINETE 3303 2RS
49	F02050631	ANELLO ARR.47 UNI 7437-75	STOP RING 47 UNI 7437-75	BAGUE ARRET 47 UNI 7437-75	RING 47 UNI 7437-75	ANILLO PARADA 47 UNI 7437-75
50	66248248	TAPPO IN PLASTICA	PLASTIC PLUG	BOUCHON EN PLASTIQUE	PLASTIKPFROPFEN	TAPN DE PLÆSTICO D
51	41602124	VITE 14X220 5737 8.G ZN	BOLT 14X220 5737 8.G GALVANIZ.	VIS 14X220 5737 8.G ZN	SCHRAUBE 14X220 5737 8.G ZN	TORNILLO 14X220 5737 8.G ZN
52	15225240	ESTRATTORE DISCHI ELEMENTO MT	SEED PLATE EXTRACTOR ELEM. MT	EXTRACTEUR DISQUE ELEMENT MT	SCHEIBENAUZSIEHER ELEMENT MT	EXTRACTOR DISCOS ELEMENTO MT
53	F01020568	VITE 16X45 5739 8.G ZN	BOLT 16X45 5739 8.G GALVANIZ.	VIS 16X45 5739 8.G ZN	SCHRAUBE 16X45 5739 8.G ZN	TORNILLO 16X45 5739 8.G ZN
54	18903911	MOLLA FERMO TUBO D.35	PIPE LOCK SPRING D.35	RESSORT ARR-T TUBE D.35	ROHRSPERRFEDER D.35	MUELLE TOPE TUBO D. 35
55	22505131	DISCO ASSOLC.COMPL.MT	FURROW OPENER DISK ASSY.	DISQUE D370 MT A/MOY-ROUL-BOUC	SCHEIBE SZSCHARENREISSER KOMPL	DISCO SURCADOR COMPL.MT
56	15225480	FLANGIA INT.DISCO PROTETTO ZN	INNER DISK FLANGE	BRIDE INT. DISQUE	INNENFLANSCH SCHEIBE	BRIDA INTERIOR DISCO
57	F03011075	ANELLO DI TENUTA G24X32X4	SEALING RING G24X32X4	BAGUE D'ETANCHEITE G24X32X4	DICHTRING G24X32X4	ANILLO AISLADOR G24X32X4
58	15225490	BOCCOLA PARAP.DISCO PROTETTO	BUSHING PARAP.DISCO PROTETTO	BOITE PARAP.DISCO PROTETTO	BUCHSE PARAP.DISCO PROTETTO	MANGUITO PARAP.DISCO PROTETTO
59	15223651	SUPPORTO CUSCINETTO DISCO	DISK BEARING SUPPORT	SUPPORT PALIER DISQUE	SCHEIBENLAGERBsCHSE	SOPORTE COJINETE DISCO
60	15225500	DISCO ASSOLC.PROTETTO COMPL.	COMPL. PROTECTED DISC COULTER	DISQUE DU SOC PROT+G+ COMPLET	GESCH. TZTE FURCHENFORMSCHEIBE	DISCO SURC.PROTEGIDO COMPL.



# SPEEDY SET

TAV. 52/283

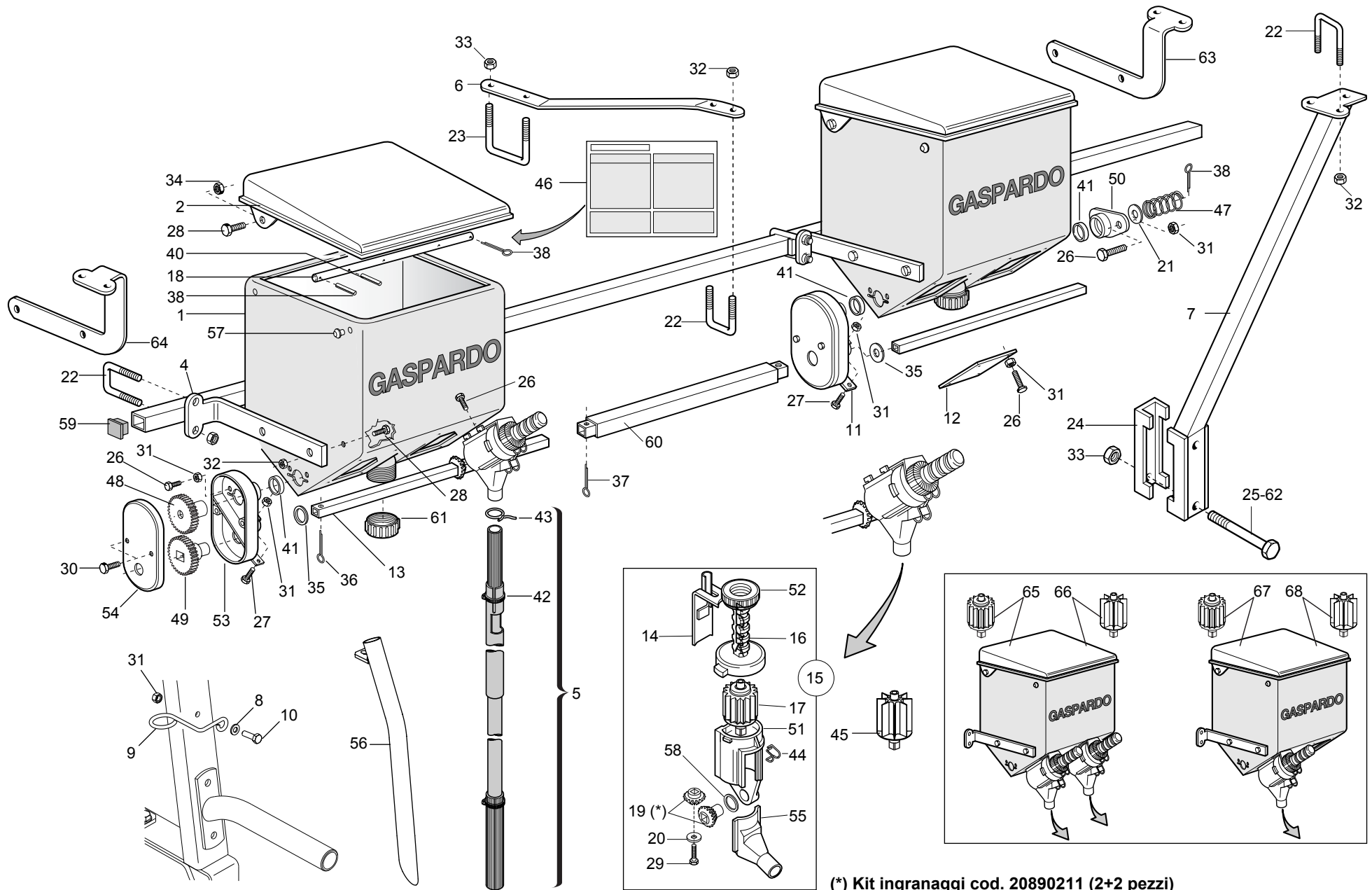
Pos.	Cod.	Descrizione	Description	Description	Benennung	Descripcion
1	F02100066	SPINA EL.4 X36 DIN 1481	PIN EL. 4X36 DIN 1481	GOUPILLE EL.4 X36 DIN 1481	SPANNSTIFT 4X36 DIN 1481	CLAVIJA EL.4 X36 DIN 1481
2	19003660	SUPPORTO	SUPPORT	SUPPORT	HALTERUNG	SOPORTE
3	F01070061	VITE 3,9X9,5 DIN 7981	BOLT 3-9X 9-5 DIN 7981	VIS 3-9X 9-5 DIN 7981	SCHRAUBE 3-9X 9-5 DIN 7981	TORNILLO 3-9X 9-5 DIN 7981
4	F01050083	GRANO 5 X12 5927 INOX	INOX GRUB-SCREW 5 X12 5927	GOUJON 5 X12 5927 INOX	STIFT 5 X12 5927 INOX	TORNILLO SIN CABEZA 5 X12 5927
5	19702951	DECAL.TAB.DISTRIB.SPEEDY-SET	SPEEDY-SET DISTRIB. CHART STI	DECALC.TABLEAU DISTRIB. SPE.-S	ABZIEHB. TAB.APPARAT SPEEDY-SE	CAL.TABLA DISTRIB. SPEEDY-SET
6	19003680	INGRANAGGIO Z.15	GEAR Z 15	ENGRENAGE Z 15	ZAHNRAD Z 15	ENGRANAJE Z 15
7	16670040	DISTR.COMPL.8PALE SPEEDY SET P	COMPL.PLA.SPEEDY SET DISTR.8R	MINIMAX COMPL 8C PLA SPEEDYSET	KOMPL.DOSIER.SPEEDY SET PLA.8S	DISTR.COMP.SPEEDY SET PLA.8AL.
7	13722330	DISTR.COMPL.8PALE SPEEDY SET F	COMPL.SPEEDY 8-BLADE DISTR. SE	DISTR.COMPL.8PALETTES SPEEDY S	SAATGUTAUS.8SCH.KOMPL.SPEEDY S	DISTR.COMPL.8PALETAS SPEEDY SE
8	16670320	TONDO D.10X780	D.10X780 ROUND	ROND D.10X780	RUNDEISEN D.10X780	BARRA REDONDA D. 10X780
8	16670330	TONDO D.10X1030	D.10X1030 ROUND	ROND D.10X1030	RUNDEISEN D.10X1030	BARRA REDONDA D. 10X1030
8	16670340	TONDO D.10X1230	D.10X1230 ROUND	ROND D.10X1230	RUNDEISEN D.10X1230	BARRA REDONDA D. 10X1230
8	16670350	TONDO D.10X1430	D.10X1430 ROUND	ROND D.10X1430	RUNDEISEN D.10X1430	BARRA REDONDA D. 10X1430
9	F01420038	ROSETTA M6 6,4X18X2 U6593 IX	WASHER M6 6,4X18X2 U6593 IX	RONDELLE M6 6,4X18X2 U6593 IX	SCHEIBE M6 6,4X18X2 U6593 IX	ARANDELA M6 6,4X18X2 U6593 IX
10	F01200233	DADO M 6X 1 U5588 IX	NUT M 6X 1 U5588 IX	ECROU M 6X 1 U5588 I	MUTTER M 6X 1 U5588	TUERCA M 6X 1 U5588
11	19003670	MANOPOLA SPEEDY SET	SPEEDY HANDLE SET	POIGN+E SPEEDY SET	GRIFF SPEEDY SET	EMPUJADURA SPEEDY SET
12	F01020419	VITE M6 X1 X 16 U5739 8.8 IX	BOLT M6 X1 X 16 U5739 8.8 IX	VIS M6 X1 X 16 U5739 8.8 IX	SCHRAUBE M6 X1 X 16 U5739 8.	TORNIL. M6 X1 X 16 U5739 8.8
13	65336055	MOLLA SPEC.REGOL.SPAND. SP	SPEC SPRING MAN. SPR. ADJUSTM.	RESSORT SPEC. REGL. EP. ENTRAJ	SPEZIALFEDER STREUEREINSTELLUN	MUELLE ESPEC. REGUL. ABONADORA
14	19003710	GHIERA REGOLAZIONE DX	RIGHT ADJUSTMENT KNURLED	BAGUE REGLAGE DROITE	EINSTELLMUTTER RE	CONTRATUERCA REGULACIN DER.
15	16670140	SUPPORTO MOLLA REGOLATORE	REGULATOR SPRING SUPPORT	SUPPORT RESSORT R+GULATEUR	HALTERUNG EINSTELLFEDER	SOPORTE MUELLE REGULADOR
16	19003690	CREMAGLIERA	RACK	CR+MAILL+RE	ZAHNSTANGE	CREMALLERA
17	F01080055	VITE 4X10 6109 INOX A2	SCREW 4X10 6109 INOX A2	VIS 4X10 6109 INOX A2	SCHRAUBE 4X10 6109 INOX A2	TORNILLO 4X10 6109 INOX A2
18	16670100	REGOLATORE APERTURA	OPENING REGULATOR	REGULATEUR OUVERTURE	TFFNUNGSEINSTELLER	REGULADOR ABERTURA
19	19003700	COPERCHIO SPEEDY SET	COVER SPEEDY SET	COUVERCLE SPEEDY SET	DECKEL SPEEDY SET	TAPA SPEEDY SET
20	66248173	ASSE DISTR.SPAND. SP	MANURE SPREADER DISTR. SPINDLE	AXE DISTRIBUTEUR EP.ENGRAIS SP	ACHSE SZAPPARAT STREUER SP	EJE DISTR. ABON. SP
21	66248172	DOSATORE DISTR.SPAND. SP	MAN.SPR. SEED METERING DEVICE	DOSEUR DISTRIBUTEUR EP. ENGRAI	DOSIERER DsNGERSTREUER. SP	DOSIFICADOR DISTR.ABON. SP
22	66248211	PERNO RONDELLA FUSA SPAND. SP	MAN. SPR. CAST WASHER PIN. SP	PIVOT RONDELLE MOULEE EP. ENGR	ZAPFEN LOSE UNTERLEGSCHIEBE ST	PERNO ARANDELA FUNDIDA ABONAD
23	19002920	CORPO DISTRIBUTORE SPANDI PLA.	PLA. F.SPREADER DISTRIB.CASING	CORPS DISTRIBUTEUR EPAND.	VERTEILUNGSKTRPER STREUER PLA.	CUERPO DIST. ABONADORA PLæS.
24	18701500	RONDELLA 29,5 X38 X0,3	WASHER 29,5 X 38 X 0,3	RONDELLE 29,5 X38 X0,3	UNTERLEGSCHIEBE 29,5X38X0,3	ARANDELA 29,5 X38 X0,3
25	20860126	KIT INGR DISTR CONCIME (2+2)	KIT- MAN. DISTR. GEARS	COUPLE CON DISTR ENGRAIS (2+2)	KIT ZAHNRZDER DsNGERSTREUER	SET ENGRANAJES DISTRIB. ABONO
26	F01070075	VITE 4,2X38 DIN 7981	BOLT 4-2X38 DIN 7981	VIS 4-2X38 DIN 7981	SCHRAUBE 4-2X38 DIN 7981	TORNILLO 4-2X38 DIN 7981
27	20970097	RONDELLA 32X3X4,5	WASHER 32X3X4-5	RONDELLE 32X3X4-5	UNTERLEGSCHIEBE 32X3X4-5	ARANDELA 32X3X4-5
28	66248178	SCIVOLO DISTR.SPAND. SP	CHUTE- MANURE-SPREADER DISTRIB	LANCOIR DISTRIBUTION EP. ENGR.	DsNGERSTREUER RUTSCHE SP	PLANO INCLINADO DISTR. ABON. S
29	65336062	MOLLA SPEC.SCIV.DISTR.SPAND.SP	SPEC SPRING - MAN. SPR. DISTR.	RESS. SPEC. LANCOIR DISTR. EP.	SPEZ.FEDER RUTSCHE SZAPP. STRE	MUELLE ESPEC.PLANO INCL.DISTR.
30	19002850	PROTEZIONE PIGNONE	PINION GUARD	PROTECTION PIGNON	RITZELSCHUTZ	PROTECCIN PI¼N PR
31	F01070011	VITE AUTOF.4,2X9,5T.E.TAG.FRO	BOLT- SELF-TAPPING 4-2X9-5T.E.	VIS AUTOTAR. 4-2X9-5 T. E. COU	SELBSTSCHNEID. SCHRAUBE 4-2X9-	TORNILLO AUTORROSC. 4-2X9-5



# CONCIMAZIONE PNEUMATICA

TAV. 52/330

Pos.	Cod.	Descrizione	Description	Description	Benennung	Descripcion
1	13912101	UGELLO CONCIMAZIONE PNEUMATICA	PNEUMATIC FERTIL. NOZZLE	BUSE FUMAGE PNEUMATIQUE	DsSE PNEUMATISCHE DsNGUNG	BOQUILLA DE ABONO NEUMATICA
2	13912131	TUBO CONCIMAZIONE PNEUMATICA	PIPE PNEUMATIC FERTILISATION	TUBE FUMAGE PNEUMATIQUE	ROHR PNEUMATISCHE DsNGUNG	TUBO DE ABONO NEUMAT.
3	13912350	FASCETTA VASO ESPANSIONE	EXPANSION CHAMBER CLAMP	COLLIER VASE EXPANSION	SHELLE EXPANSIONSGEFZSS	ABRAZADERA DEPOSITO DE EXPANSIF
4	13912460	COPRIVENTOLA LATO SCHIENALE	BACK FAN PROTECTION	PROTECTION ROTOR DOSSIER	RUECKENLAUFRADESCHUTZ	PROTECCIN VENTILADOR RESPALDO
5	13912470	COPRIVENTOLA LATO MOTORE	MOTOR FAN PROTECTION	PROTECTION ROTOR MOTEUR	MOTORLAUFRADESCHUTZ	PROTECCIN VENTILADOR MOTOR A
6	13912512	VASO ESPANSORE D.35-50	D.35-50 EXPANSION TANK	VASE EXPANSION D.35-50	EXPANSIONSGEFZSS D.35-50	DEPOSITO DE EXPANSIN D.35-50
7	15450390	PULEGGIA CONDOTTA	DRIVEN PULLEY D.28	POULIE ENTRAINEE D. 28	GETRIEBENE SCHEIBE D.28	POLEA CONDUCTICA D.28
8	15450400	PULEGGIA CONCIMAZ. PNEUMATICA	DRIVEN PULLEY	POULIE ENTRAINEE	GETRIEBENE SCHEIBE	POLEA CONDUCTICA
9	15450410	RONDELLA X GIUNTO ELASTICO	LOCK WASHER	RONDELLE DE BLOCAGE	SPERRSCHEIBE	ARANDELA DE BLOQUEO
10	15450420	GIUNTO ELASTICO LAVORATO	LOCK COUPLING	JOINT DE BLOCAGE	SPERRKUPPLUNG	JUNTA DE BLOQUEO
11	15450431	FLANGIA SUPP.CONC.PNEUM.	FLANGE SUPPORT	BRIDE SUPPORT	LAGERFLANSCH	BRIDA DE SOPORTE
12	15470410	RINFORZO ANTERIORE	FRONT REINFORCEMENT	REINFORCEMENT AVANT	VORDERE VERSTZRKUNG	REFUERZO DELANTERO
13	15470420	RINFORZO POSTERIORE	REAR REINFORCEMENT	REINFORCEMENT ARRIERE	HINTERE VERSTZRKUNG	REFUERZO TRASERO
14	15471471	SUPPORTO CONVOGLIATORE	CONVEYOR SUPPORT	SUPPORT CONVOYEUR	HALTERUNG FTRDERER	SOPORTE TRANSPORTADOR
15	18901960	GUIDATUBI PER 3 TUBI	PIPE GUIDE FOR 3 PIPES	GUIDE-TUBES POUR 3 TUBES	ROHRFSHRUNG Fsr 3 ROHRE	GUA TUBOS PARA 3 TUBOS
16	18902650	MOLLA SUPP.VASO ESPANSIONE	EXPANSION TANK SUPPORT SPRING	RESSORT SUPP. VAS EXPANSION	OB. FEDER EXPANSIONSGEFZSS	MUELLE SOP. DEPOSITO DE EXPANSA
17	18903180	MOLLA CONVOGLIATORE MICRO	MICRO CONVEYOR SPRING	RESSORT CONVOYEUR MICRO	FEDER MIKRO FTRDERER	MUELLE CONDUCTOR MICRO
18	15273150	RACCORDO FINALE	ENDING CONNECTION PIPE	RACCORD FINAL	ENDANSCHLUSS	UNION FINAL
19	22230264	RONDELLA TUBI DEPR.	AIR PUMP PIPE WASHER	RONDELLE TUBES DISPOSITIF DE D	UNTERLEGSSCHEIBE VAKUUMPUMPENRO	ARANDELA TUBOS BOMBA VACO. S
20	23440551	FLANGIA CONVOGLIATORE HL/ID	CONVEYOR FLANGE HL/ID	BRIDE CONVOYEUR HL/ID	FLANSCH FTRDERER HL/ID	BRIDA CONDUCTOR HL/ID
21	23440553	CONVOGLIATORE D.35 HL/ID	CONVEYOR- D.35 HL/ID	CONVOYEUR D. 35 HL/ID	FTRDERER D.35 HL/ID	CONDUCTOR D.35 HL/ID
22	23440562	DISTANZ.GUSCI SOFFIANTE HL/ID	BLOWER SHELL SPACER HL/ID	ENTRETOISE COQUES SOUFFLANTE H	DINSTANZTSCK SCHALEN GELBZSE H	DISTANC. CASCARAS SOPLAD. HL/I
23	23440563	GRIGLIA DI PROTEZIONE HL/ID	PROTECT. GRID HL/ID	GRILLE DE PROTECTION HL/ID	SCHUTZGITTER HL/ID	REJILLA DE PROTECCIN HL/ID G
24	23440564	COPERCHIO CHIUSURA SOFF. HL/ID	BLOWER CLOSING COVER . HL/ID	COUVERCLE FERMETURE SOUFFL. HL	ABSCHLUSSDECKEL GEBL. HL/ID	TAPA CIERRE SOPL. HL/ID
25	F01020048	VITE 6 X75 5737 8.G ZN	BOLT 6 X75 5737 8.G GALVANIZ.	VIS 6 X75 5737 8.G ZN	SCHRAUBE 6 X75 5737 8.G ZN	TORNILLO 6x75 5737 8.G ZN
26	F01020404	VITE 6 X20 5739 8.G ZN	BOLT 6X20 5739 8.G GALVANIZED	VIS 6X20 5739 8.G ZN	SCHRAUBE 6X20 5739 8.G ZN	TORNILLO 6X20 5739 8.G ZN
27	F01020445	VITE 8 X30 5739 8.G ZN	BOLT 8X30 5739 8.G GALVANIZED	VIS 8X30 5739 8.G ZN	SCHRAUBE 8X30 5739 8.G ZN	TORNILLO 8X30 5739 8.G ZN
28	F01020472	VITE 10X25 5739 8.G ZN	BOLT 10X25 5739 8.G GALVANIZED	VIS 10X25 5739 8.G ZN	SCHRAUBE 10X25 5739 8.G ZN	TORNILLO 10x25 5739 8.G ZN
29	F01020476	VITE 10X30 5739 8.G ZN	BOLT 10X30 5739 8.G GALVANIZED	VIS 10X30 5739 8.G ZN	SCHRAUBE 10X30 5739 8.G ZN	TORNILLO 10x30 5739 8.G ZN
30	F01030054	VITE 8X16 5933	BOLT 8X16 UNI5933 10.9 GALVANI	VIS 8X16 UNI 5933 10.9 ZN	SCHRAUBE 8X16 UNI 5933 10.9 ZN	TORNILLO 8X16 UNI 5933 10.9 ZN
31	F01080044	VITE 5 X14 7688 ZN	BOLT 5 X14 7688 GALVANIZED	VIS 5 X14 7688 ZN	SCHRAUBE 5 X14 7688 ZN	TORNILLO 5 X14 7688 ZN
32	F01230046	DADO AUTOB.NOR. 10 ZN	NORM.SELF-LOCKING NUT 10 GALVA	ECROU AUTOB.NOR. 10 ZN	SELBSTSP. MUTTER NOR. 10 ZN	TUERCA AUTOB. NOR. 10 ZN
33	F01200232	DADO 6 5588 6.8 ZN	NUT 6 UNI 5588 6.8 GALVANIZED	ECROU 6 UNI 5588 6.8 ZN	MUTTER 6 UNI 5588 6.8 ZN	TUERCA 6 UNI 5588 6.8 ZN
34	F01200244	DADO 8 5588 6.8 ZN	NUT 8 UNI 5588 6.8 GALVANIZED	ECROU 8 UNI 5588 6.8 ZN	MUTTER 8 UNI 5588 6.8 ZN	TUERCA 8 UNI 5588 6.8 ZN
35	F01200270	DADO 10 5588 6.8 ZN	SCREW 10 UNI 5588 6.8 GALVANIZ	ECROU 10 UNI 5588 6.8 ZN	MUTTER 10 UNI 5588 6.8 ZN	TUERCA 10 UNI 5588 6.8 ZN
36	F01410037	RONDELLA D6 UNI 6592 ZN	WASHER D6 UNI 6592 GALVANIZED	RONDELLE D6 UNI 6592 ZN	UNTERLEGSSCHEIBE D6 UNI 6592 ZN	ARANDELA D6 UNI 6592 ZN
37	F01410064	RONDELLA D10 UNI 6592 ZN	WASHER D10 UNI 6592 GALVANIZED	RONDELLE D10 UNI 6592 ZN	UNTERLEGSSCHEIBE D10 UNI 6592 Z	ARANDELA D10 UNI 6592 ZN
38	F01420048	ROND.PIANA 9X 24X2 6593 ZN	FLAT WASHER 9X 24X2 6593 GALV.	ROND. PLATE 9X 24X2 6593 ZN	SCHTEIBE 9X 24X2 6593 ZN	ARAND. PLANA 9X 24X2 6593 ZN
39	F01430047	RONDELLA D6 DIN 6798 D.INT.ZN	WASHER D6 DIN 6798 D.INT.GALV.	RONDELLE D6 DIN 6798 D. INT. Z	UNTERLEGSSCHEIBE D6 DIN 6798 D. IN	ARANDELA D6 DIN 6798 D.INT.ZN
40	F04010165	CUSCINETTO 6204 2RS C3	BEARING 6204 2RS	PALIER 6204 2RS	LAGER 6204 2RS	COJINETE 6204 2RS
41	F02050609	ANELLO ARR.20 UNI 7435-75	STOP RING 20 UNI 7435-75	BAGUE ARRET 20 UNI 7435-75	RING 20 UNI 7435-75	ANILLO PARADA 20 UNI 7435-75
42	F02150036	LINGUETTA 6X6X20 UNI 6604	TAB 06X6X20 UNI6604	LANGUETTE 06X6X20 UNI6604	FEDERKEIL 06X6X20 UNI6604	LENGSETA 06X6X20 UNI6604
43	F03100367	TUBO FLESSIBILE PVC DI 75	FLEXIBLE PVC PIPE DI 75	TUBE FLEXIBLE PVC DI 75	75ER SCHLAUCH PVC	TUBO FLEXIBILE PVC DI 75
44	F03100500	TUBO EOLO 35 PU	EOLO PIPE 35 PU	TUBE EOLO 35 PU	ROHR EOLO 35 PU	TUBO EOLO 35 PU
45	F02300023	FASCETTA STRINGITUBO 77/95	PIPE CLAMP 77/95	COLLIER DE SERRAGE 77/95	ROHRSCHELLE 77/95	ABRAZADERA PARA MANGUERA 77/95
46	F02300018	FASCETTA STRINGITUBO 25/40	PIPE CLAMP 25/40	COLLIER SERRE-TUBE 25/40	ROHRSCHELLE 25/40	ABRAZADERA PARA MANGUERA 25/40
47	F05150060	FASCETTA POLYAMIDE 9X360 31919	POLYAMIDE FASTENING STRAPS 9X3	COLLIER POLYAMIDE 9X350 31919	SHELLE POLYAMID 9X350 31919	ABRAZADERA POLIAMIDA 9X350 319
48	66248098	TAPPO CONVOGLIATORE DEPR. SP	AIR PUMP CONVEYOR PLUG SP	BOUCHON CONVOYEUR TURBINE SP	VAKUUM FTRDERERPFROPFEN SP	TAPN CONDUCTOR DEPR. SP D
49	F03150664	TAPPO MASCHIO 1/8 ESAGONO	1/8 MALE HEXAGON. PLUG	BOUCHON MALE 1/8 HEXAGONAL	GEWINDEPFROPFEN 1/8 SECHSKANT	TAPN MACHO 1/8 HEXÆGONO D
50	F06220034	VOLANTINO M5 X 25 VPA/25	HANDWHEEL M5 X 25 VPA/25	VOLANT M5 X 25 VPA/25	HANDRAD M5 X 25 VPA/25	VOLANTE M5 X 25 VPA/25
51	67320001	VENTOLA PLASTICA DISCO L80M8	PLASTIC FAN- DISK L80M8	ROTOR PLASTIQUE DISQUE L80M8	SCHEIBE PLASTIKRAD L80M8	VENTILADOR PLÆSTICO DISCO L80M
52	F01020037	VITE 6 X30 5737 8.G ZN	BOLT 6 X30 5737 8.G GALVANIZED	VIS 6 X30 5737 8.G ZN	SCHRAUBE 6 X30 5737 8.G ZN	TORNILLO 6 X30 5737 8.G ZN
52	F01020362	VITE 4 X12 5739 8.G ZN	SCREW 4X12 5739 8.G GALVANIZED	VIS 4X12 5739 8.G ZN	SCHRAUBE 4X12 5739 8.G ZN	TORNILLO 4X12 5739 8.G ZN
52	F01020398	VITE 6 X12 5739 8.G ZN	BOLT 6X12 5739 8.G GALVANIZED	VIS 6X12 5739 8.G ZN	SCHRAUBE 6X12 5739 8.G ZN	TORNILLO 6X12 5739 8.G ZN
52	F01020406	VITE 6 X25 5739 8.G ZN	BOLT 6X25 5739 8.G GALVANIZED	VIS 6X25 5739 8.G ZN	SCHRAUBE 6X25 5739 8.G ZN	TORNILLO 6X25 5739 8.G ZN
53	F01230016	DADO AUTOB.NOR.4 ZN	NORM.SELF-LOCKING NUT 4 GALVAN	ECROU AUTOB.NOR.4 ZN	SELBSTSP. MUTTER NOR. 4 ZN	TUERCA AUTOB. NOR. 4 ZN
53	F01220211	DADO TRISTOP M 6	NUT- TRISTOP M 6	ECROU TRISTOP M 6	MUTTER TRISTOP M 6	TUERCA TRISTOP M 6
54	58162014	ELEM.ELASTICO DEL GIUNTO 24.24	ELASTIC ELEMENT OF JOINT 24.24	ELEM. ELASTIQUE DU JOINT 24.24	ELAST. KUPPLUNGSELEM. 24.24	ELEM.ELÆSTICO DEL ACOPLAMIENTO
55	15473770	SOFFIANTE CONC.PNEUM.COMPL.	COMPL. FERTILIZER PNEUMATIC BL	SOUFFLEUR ENGRAIS PNEUMATIQUE	PNEUMATISCHE GEBLZSE KOMPL.	SOPLADOR ABONO NEUM-TICO COMPL
56	F01440012	RONDELLA 20X28X2 DIN 988 >	WASHER 20X28X2 DIN 988	RONDELLE 20X28X2 DIN 988	UNTERLEGSSCHEIBE 20X28X2 DIN 98	ARANDELA 20X28X2 DIN 988
57	F02050631	ANELLO ARR.47 UNI 7437-75	STOP RING 47 UNI 7437-75	BAGUE ARRET 47 UNI 7437-75	RING 47 UNI 7437-75	ANILLO PARADA 47 UNI 7437-75
58	15273020	TUBO DISCESA MICRO D.28X2	PIPE- MICRO .DESCENT D.28X2	TUBE DESCENTE MICRO D.28X2	SENKROHR MIKRO D.28X2	TUBO DESCENSO MICRO D.28X2



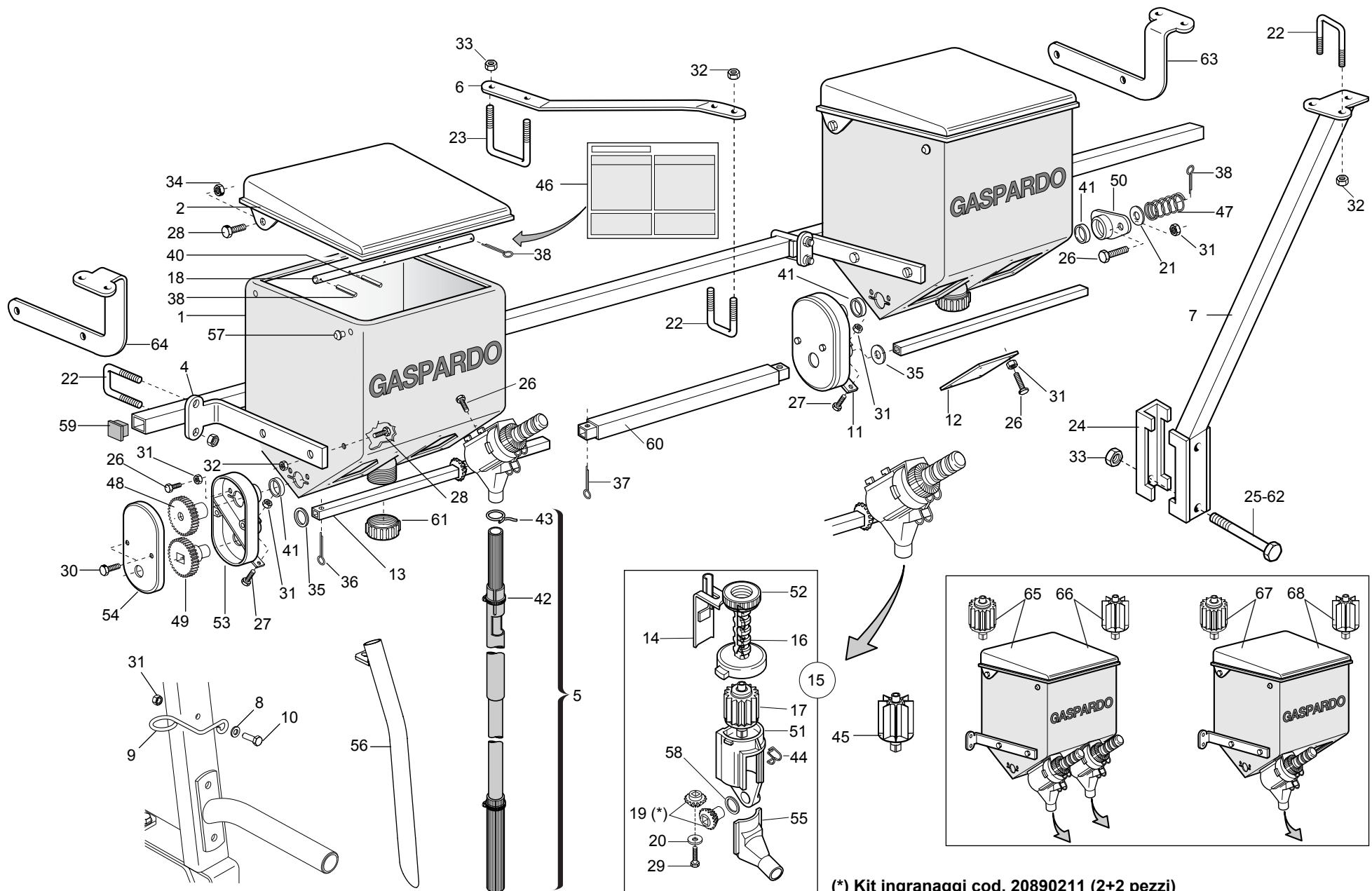
(\*) Kit ingranaggi cod. 20890211 (2+2 pezzi)



# MICROGRANULATORE

TAV. 52/264

Pos.	Cod.	Descrizione	Description	Description	Benennung	Description
1	19002932	SERBATOIO MICRO 250 PLA.	PLASTIC TANK MICRO 250	RESERVOIR MICRO 250 PLASTIQUE	MIKROGRANULATBEHZLTER PLAST.	DEPSITO MICRO 250 PLAST.
2	15475231	COPERCHIO MICRO 250 PLA.	PLASTIC COVER MICRO 250	COUVERCLE MICRO 250 PLASTIQUE	MIKRO DECKEL 250 PLAST.	TAPA MICRO 250 PLAST.
3	18701140	RONDELLA 11 X35 X5	WASHER 11 X 35 X 5	RONDELLE 11 X35 X5	UNTERLEGSCHEIBE 11 X35 X5	ARANDELA 11 X35 X5
4	15475271	SUPPORTO MICRO	MICRO SUPPORT	SUPPORT MICROGRANULATEUR	HALTERUNG MICRO	SOPORTE MICRO
5	11425091	TUBO DISCESA MICRO MT-MTE COMP	PIPE MICRO DESCENT MT-MTE	TUBE DESCENTE MICRO COMPL MT-M	SENKROHR MIKRO KOMPL. MT-MTE	TUBO DESCENSO MICRO COMPL. MT-
6	15273160	TIRANTE BARRA MICRO Q.150	SQUARE MICRO BAR TIE ROD 150	TIRANT BARRE MICROGRANUL. CARR	SPANNSTANGE STANGE MICRO Q.150	TIRANTE BARRA MICRO C.150
6	15273170	TIRANTE BARRA MICRO 150X100	MICRO BAR TIE ROD 150X100	TIRANT BARRE MICROGRANUL. 150X	SPANNSTANGE STANGE MICRO 150X1	TIRANTE BARRA MICRO 150X100
7	15272901	SUPPORTO BARRA MICRO MT	MT MICRO BAR SUPPORT	SUPPORT BARRE MICROGRAN. MT	STANGENHALTERUNG MICRO MT	SOPORTE BARRA MICRO MT
8	F01420036	ROND.PIANA 6,6X 18X2 6593 ZN	FLAT WASHER 6-6X 18X2 6593 ZN	ROND. PLATE 6-6X 18X2 6593 ZN	SCHEIBE 6-6X 18X2 6593 ZN	ARAND. PLANA 6-6X 18X2 6593 ZN
9	18904290	MOLLA GUIDA TUBO DISC.MICRO ZN	MICRO GUIDE SPRING	RESSORT GUIDE MICRO	FsHRUNGSFEDER MIKRO	MUELLE GUID.MICRO
10	F01020404	VITE 6 X20 5739 8.G ZN	BOLT 6X20 5739 8.G GALVANIZED	VIS 6X20 5739 8.G ZN	SCHRAUBE 6X20 5739 8.G ZN	TORNILLO 6X20 5739 8.G ZN
11	20890078	PIASTRA DI COLLEGAMENTO	CONNECTION PLATE	PLAQUE DE RACCORD	VERBINDUNGSPLATTE	PLACA DE CONEXIN P
12	20890079	PIASTRA DI CHIUSURA	CLOSURE PLATE	PLAQUE DE FERMETURE	ABSCHLUSSPLATTE	PLACA DE CIERRE
13	20890081	ASSE DISTRIB.MICRO L.445	MICRO DISTR. SPINDLE- L. 445	AXE DISTRIBUTEUR MICRO L. 445	MIKRO STREUERACHSE L 445	EJE DISTRIB.MICRO L.445
14	20890089	REGOLATORE DI APERTURA	OPENING REGULATOR	REGULATEUR D'OUVERTURE	TFFNUNGSEINSTELLER	REGULADOR DE ABERTURA
15	20890135	DISTRIB.NYLON COMPL.E SCIVOLO	DISTRIB. NYLON ASSY. AND CHUTE	MINIMAX COMPL.20C MICRO	SZAPPARAT NYLON KOMPL. UND RUT	DISTRIB.NYLON COMPL.Y PLANO IN
16	20890151	VITE-SCALA GRADUATA	GRADUATED SCALE BOLT	VIS-EHELLE GRADUEE	SCHRAUBE - GRADSKALA	TORNILLO - ESCALA GRADUADA
17	20890158	DOSATORE MICRO COMPL.	ROTOR DIST. MICRO 20 GROOVES	ROTOR DOSEUR 20C MICRO	DOSIERER MIKRO KOMPL. 20 SEKT	DOSIFICADOR MICRO COMPL.20 SEC
18	20890194	ASSE AGITATORE SERB.MICRO 250	STIRRER SPINDLE- MICRO TANK 25	AXE AGITATEUR RESERVOIR MICRO	SAMENMISCHERACHSE BEH.MIKRO 25	EJE AGITADOR DEPS. MICRO 250 A
19	20890211	KIT INGRANAGGI DISTRIB.MICRO	KIT- MICRO. DISTR. GEARS	COUPLE CON DISTR MICRO (2+2)	KIT ZAHNRZDER MIKROSTREUER	SET ENGRANAJES DISTRIB.MICRO
20	F01420011	ROND.PIANA 4,3X 16X1,5 6593 ZN	FLAT WASHER 4-3X 16X1-5 6593 G	ROND.PLATE 4-3X 16X1-5 6593 ZN	SCHEIBE 4-3X 16X1-5 6593 ZN	ARAND. PLANA 4-3X 16X1-5 6593
21	22220073	RONDELLA 28X0,3X16,5	WASHER 28X0-3X16-5	RONDELLE 28X0-3X16-5	UNTERLEGSCHEIBE 28X0-3X16-5	ARANDELA 28X0-3X16-5
22	22250272	CAVALLOTTO SUPP.DISCO SV	DISK SUPPORT.ELEMENT U BOLT SV	CAVALIER SUPPORT DISQUE SV	VERBINDUNG SCHEIBENHALTERUNG S	PERNO EN U SOP. DISCO SV
23	15111050	CAVALLOTTO M14X96 - 119 ZN	U-BOLT M14X96 - 119 ZN	CAVALIER M14X96 - 119 ZN	VERBINDUNG M14X96 - 119 ZN	PERNO EN U M14X96 - 119 ZN
24	15110091	SCONTRIO A U	STRIKER	BRIDE 150 MM	ANSCHLAG	ELEMENTO DE EMPALME
25	41601101	VITE 14 X160 5737 8.G	BOLT M 14 X160 5737 8.G	VIS M 14 X160 5737 8.G	SCHRAUBE M 14 X160 5737 8.G	TORNILLO M 14 X160 5737 8.G
26	F01020397	VITE 6 X10 5739 8.G ZN	BOLT 6X10 5739 8.G GALVANIZED	VIS 6X10 5739 8.G ZN	SCHRAUBE 6X10 5739 8.G ZN	TORNILLO 6X10 5739 8.G ZN
27	F01020403	VITE 6 X16 5739 8.G ZN	BOLT 6X16 5739 8.G GALVANIZED	VIS 6X16 5739 8.G ZN	SCHRAUBE 6X16 5739 8.G ZN	TORNILLO 6X16 5739 8.G ZN
28	F01020472	VITE 10X25 5739 8.G ZN	BOLT 10X25 5739 8.G GALVANIZED	VIS 10X25 5739 8.G ZN	SCHRAUBE 10X25 5739 8.G ZN	TORNILLO 10X25 5739 8.G ZN
29	F01070061	VITE 3,9X9,5 DIN 7981	BOLT 3-9X 9-5 DIN 7981	VIS 3-9X 9-5 DIN 7981	SCHRAUBE 3-9X 9-5 DIN 7981	TORNILLO 3-9X 9-5 DIN 7981
30	F01070121	VITE 3,9X9,5 DIN 7982	BOLT 3-9X 9-5 DIN 7982	VIS 3-9X 9-5 DIN 7982	SCHRAUBE 3-9X 9-5 DIN 7982	TORNILLO 3-9X 9-5 DIN 7982
31	F01200232	DADO 6 5588 6.8 ZN	NUT 6 UNI 5588 6.8 GALVANIZED	ECROU 6 UNI 5588 6.8 ZN	MUTTER 6 UNI 5588 6.8 ZN	TUERCA 6 UNI 5588 6.8 ZN
32	F01200270	DADO 10 5588 6.8 ZN	SCREW 10 UNI 5588 6.8 GALVANIZ	ECROU 10 UNI 5588 6.8 ZN	MUTTER 10 UNI 5588 6.8 ZN	TUERCA 10 UNI 5588 6.8 ZN
33	F01200306	DADO 14 5588 6.8 ZN	NUT 14 UNI 5588 6.8 GALVANIZED	ECROU 14 UNI 5588 6.8 ZN	MUTTER 14 UNI 5588 6.8 ZN	TUERCA 14 UNI 5588 6.8 ZN
34	F01220233	DADO TRISTOP M10	NUT TRISTOP M10	ECROU TRISTOP M10	MUTTER TRISTOP M10	TUERCA TRISTOP M10
35	F01410088	RONDELLA D14 UNI 6592 ZN	WASHER D14 UNI 6592 GALVANIZED	RONDELLE D14 UNI 6592 ZN	UNTERLEGSCHEIBE D14 UNI 6592 Z	ARANDELA D14 UNI 6592 ZN
36	F02200161	COPIGLIA 3 X15 1336 ZN	SPLIT PIN 3 X15 1336 GALVAN.	GOUPILLE 3 X15 1336 ZN	SPLINT 3 X15 1336 ZN	PASADOR 3 X15 1336 ZN
37	F02200162	COPIGLIA 3 X20 1336 ZN	SPLIT PIN 3 X20 1336 GALVAN.	GOUPILLE 3 X20 1336 ZN	SPLINT 3 X20 1336 ZN	PASADOR 3 X20 1336 ZN
38	F02200194	COPIGLIA 4 X25 1336 ZN	SPLIT PIN 4 X25 1336 GALVAN.	GOUPILLE 4 X25 1336 ZN	SPLINT 4 X25 1336 ZN	PASADOR 4 X25 1336 ZN
39	F02100083	SPINA EL.5 X24 DIN 1481	PIN EL. 5 X24 DIN 1481	FICHE EL. 5 X24 DIN 1481	SPANNSTIFT 5 X24 DIN 1481	CLAVIJA EL.5 X24 DIN 1481
40	F02100089	SPINA EL.5 X36 DIN 1481	PIN EL. 5 X36 DIN 1481	FICHE EL. 5 X36 DIN 1481	SPANNSTIFT 5 X36 DIN 1481	CLAVIJA EL.5 X36 DIN 1481
41	F03011081	GUARNIZIONI LABBRO DE100	LIP GASKET DE100	GARNITURES LEVRE DE100	LIIPPENDICHTUNG DE100	GUA DELANTERA G
42	F02300016	FASCETTA STRING.16/27	STRING FASTENING STRAPS .16/27	COLLIER DE SERRAGE .16/27 L	ROHRSCHELLE .16/27 L	ABRAZADERA APRET.16/27 L
43	65336041	MOLLA SPEC.ZN STRINGITUBO M80	SPEC.SPRING ZN . PIPE CLAMP M8	RESSORT SPEC. ZN SERRE-TUBE M8	SPEZIALFEDER ZN ROHRSCHELLE M8	MUELLE ESPEC. ZN APLASTA TUBOS
44	65336046	MOLLA SPEC.ZN SCIVOLO M80	SPEC SPRING ZN CHUTE M80	RESSORT SPEC. ZN LANCOIR M80	SPEZIALFEDER ZN RUTSCHE M80	MUELLE ESPEC. ZN PLANO INCLINA
45	22250240	DOSATORE COMPL. SV	MICRO DISTR.ROTOR 8 GROOVES	ROTOR DOSEUR 8C MICRO	DOSIERER KOMPL. SV	DOSIFICADOR COMPL. SV
46	19700831	DECAL.TABELLA MICRO SP540	MICRO CHART STICKER SP540	DECALC. TABLEAU MICRO SP540	ABZIEHB. TABELLE MIKOR SP540	CAL.TABLA MICRO SP540
46	19702460	DECAL.TABELLA DISTRIB.UMOSTART	UMOSTART DISTRIBUTOR CHART STI	DECALC. TABLEAU DISTRIBUTEUR U	ABZIEHB. TABELLE SZAPPARAT UMO	CAL.TABLA DISTRIBUDOR UMOSTART
47	65338043	MOLLA COMP.ZN SERB. M80	ZN TANK COMP.SPRING M80	RESSORT COMPL. ZN RESERVOIR M8	DRUCKFEDER ZN BEHZLTER M80	MUELLE COMP.ZN DEPS. M80 A
48	66248119	RUOTA DENTATA Z-24 M80	GEAR-WHEEL Z-24 M80	ROUE DENTEE Z-24 M80	ZAHNRAD Z-24 M80	RUEDA DENTADA Z-24 M80
49	66248120	RUOTA DENT.FORO QUAD.Z-24 M80	GEAR-WHEEL- SQUARE HOLE- Z-24	ROUE DENTEE TROU CARRE Z-24 M8	RAD VERZAHNT VIERKANTLOCH.Z-24	RUEDA DENT.ORIFICIO CUAD.Z-24
50	66248121	BOCCOLA CON FLANGIA M80	BUSHING W/ FLANGE M80	SUPPORT AVEC BRIDE M80	BsCHSE MIT FLANSCH M80	CASQUILLO CON BRIDA M80
51	66248123	CORPO DISTRIBUZIONE M80	DISTRIBUTION CASING M80	CORPS DISTRIBUTION M80	VERTEILLUNGSKTRPER	CUERPO DISTRIBUCIN M80 C
52	66248125	GHIERA REGOLAZIONE M80	ADJUSTMENT KNURLED NUT M80	BAGUE REGLAGE M80	EINSTELLMUTTER M80	CONTRATERCA REGULACIN M80 G
53	66248126	SUPP.TRASMISSIONE M80	TRANS.M.SUPPORT M80	SUPPORT ENTRAINEMENT M80	ANTRIEBSHALTERUNG M80	SOPORTE TRANSMISIN M80 S

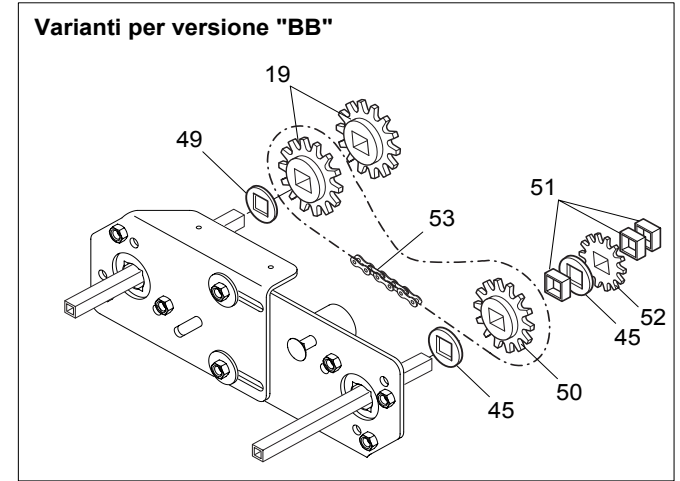
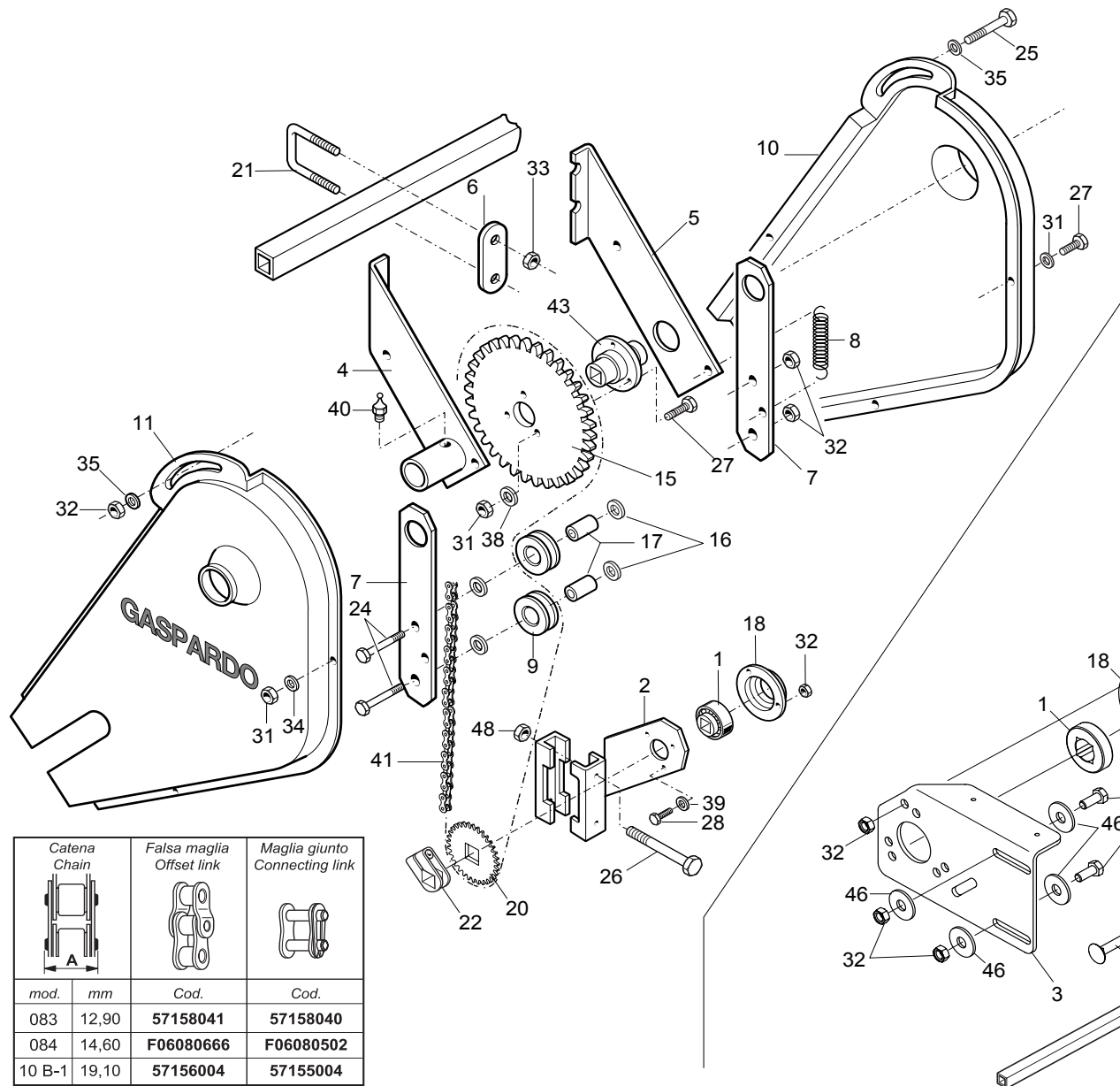


(\*) Kit ingranaggi cod. 20890211 (2+2 pezzi)

# MICROGRANULATORE

TAV. 52/264

Pos.	Cod.	Descrizione	Description	Description	Benennung	Descrpcion
54	66248138	COPERCHIO SUPP.TRASM. M80	TRANSMISSION SUPP. COVER M80	COUVERCLE SUPPORT ENTRAINEM.	DECKEL ANTRIEBSHALTERUNGS M80	TAPA SOP. TRANSM. M80
55	66248154	SCIVOLO DISTR. M80	CHUTE- DISTRIB. M80	ENTONNOIR DOSEUR MINIMAX MICRO	SAAPPARAT RUTSCHE M80	PLANO INCLINADO DISTR. M80
56	15273020	TUBO DISCESA MICRO D.28X2	PIPE- MICRO .DESCENT D.28X2	TUBE DESCENTE MICRO D.28X2	SENKROHR MIKRO D.28X2	TUBO DESCENSO MICRO D.28X2
57	66248223	TAPPO SUPP.SPAND.D.11	PLUG MAN. SPR. SUPP. D.11	BOUCHON SUPPORT EP. ENGRAIS D.	HALTERUNGSPFROPFEN DsNGERSTR.	TAPN SOPORTE ABON.D.11 D
58	20970100	RONDELLA 30X0,5X22 ACC.	WASHER 30X0-5X22 ACC.	RONDELLE 30X0-5X22 ACIER	UNTERLEGSCHIEBE 30X0-5X22 ACC.	ARANDELA 30X0-5X22 ACC.
59	15475560	TAPPO TUBO 35X35	PLUG PIPE 35X35	BOUCHON TUBE 35X35	ROHRPFROPFEN 35X35	TAP N TUBO 35X35
60	20890111	MANIC.UNIONE RINV.MICRO L.470	MICRO TRANSM.JOINT SLEEVE L.47	MANCHON RACCORD TRANSMISSION M	VERBINDUNGSMUFFE VORGELEGE MIK	MANGUITO EMPALME TRANSM. MICRO
60	20890112	MANICOTTO UNIONE MICRO L.1110	MICRO JOINT SLEEVE L.1110	MANCHON RACCORD MICRO L. 1110	VERBINDUNGSMUFFE MIKRO L.1110	MANGUITO DE UNIN MICRO L.1110M
60	20890130	MANICOTTO UNIONE MICRO L.550	MICRO JOINT SLEEVE	MANCHON RACCORD MICRO L. 550	VERBINDUNGSMUFFE MIKRO L.550	MANGUITO DE UNIN MICRO L.550 M
60	20890201	MANICOTTO UNIONE MICRO L.440	MICRO JOINT SLEEVE L.440	MANCHON RACCORD MICRO L. 440	VERBINDUNGSMUFFE MIKRO L.440	MANGUITO DE UNIN MICRO L.440 M
60	20890202	MANICOTTO UNIONE MICRO L.690	MICRO JOINT SLEEVE L.690	MANCHON RACCORD MICRO L. 690	VERBINDUNGSMUFFE MIKRO L.690	MANGUITO DE UNIN MICRO L.690 M
60	20890203	MANICOTTO UNIONE MICRO L.1620	MICRO JOINT SLEEVE L.1620	MANCHON RACCORD MICRO L. 1620	VERBINDUNGSMUFFE MIKRO L.1620	MANGUITO DE UNIN MICRO L.1620M
61	20890205	MANICOTTO UNIONE MICRO L.250	MICRO JOINT SLEEVE L.250	MANCHON RACCORD MICRO L. 250	VERBINDUNGSMUFFE MIKRO L.250	MANGUITO DE UNIN MICRO L.250 M
61	F03150758	TAPPO FILETTATO SERB.MICRO	MICRO TANK THREADED PLUG	BOUCHON FILETE RESERV.MICRO	GEWINDEPFROPFEN MIKROBEH.	TAPN ROSCADO DEPS.MICRO DO
62	41602124	VITE 14X220 5737 8.G ZN	BOLT 14X220 5737 8.G GALVANIZ.	VIS 14X220 5737 8.G ZN	SCHRAUBE 14X220 5737 8.G ZN	TORNILLO 14X220 5737 8.G ZN
63	15272411	SUPPORTO TUBO MICRO DX	RIGHT MICRO PIPE SUPPORT	SUPPORT TUBE MICRO DRT.	HALTERUNG MIKROROHR RE	SOPORTE TUBO MICRO DER.
64	15272421	SUPPORTO TUBO MICRO SX	LEFT MICRO PIPE SUPPORT	SUPPORT TUBE MICRO GCH.	HALTERUNG MIKROROHR LI	SOPORTE TUBO MICRO IZQ.
65	15476270	SERBATOIO MICRO 250 2 U.PLA	MICRO TANK 250 2 OUTPUTS	RESERVOIR MICRO 250 2 SORTIES	MIKROGRANULATBEHZLTER 250 2 AU	DEPSITO MICRO 250 2 SALIDAS B
66	16675020	SERB.MICRO 250 2U PLA 8P.COMPL	MICRO TANK 250 2 OUTPUTS 8P. C	RESERV. MICRO 250 2 SORT. 8P.	MIKROGRANULATBEH. 250 2AUSG. 8	DEPSITO MICRO 250 2 SALIDAS 8P
67	15476280	SERBATOIO MICRO PLA 1U COMPL	COMPL. MICRO TANK PLA 1U	RESERVOIR MICRO PLA 1U COMPL.	BEH-LTER MIKROGRANULAT PLASTIK	DEPOSITO MICRO PLA 1U COMPL.
68	16675030	SERB.MICRO 250 1U PLA 8P.COMPL	MICRO TANK 250 1 OUTPUTS 8P. C	RESERV. MICRO 250 1 SORT. 8P.	MIKROGRANULATBEH. 250 1AUSG. 8	DEPSITO MICRO 250 1 SALIDAS 8P

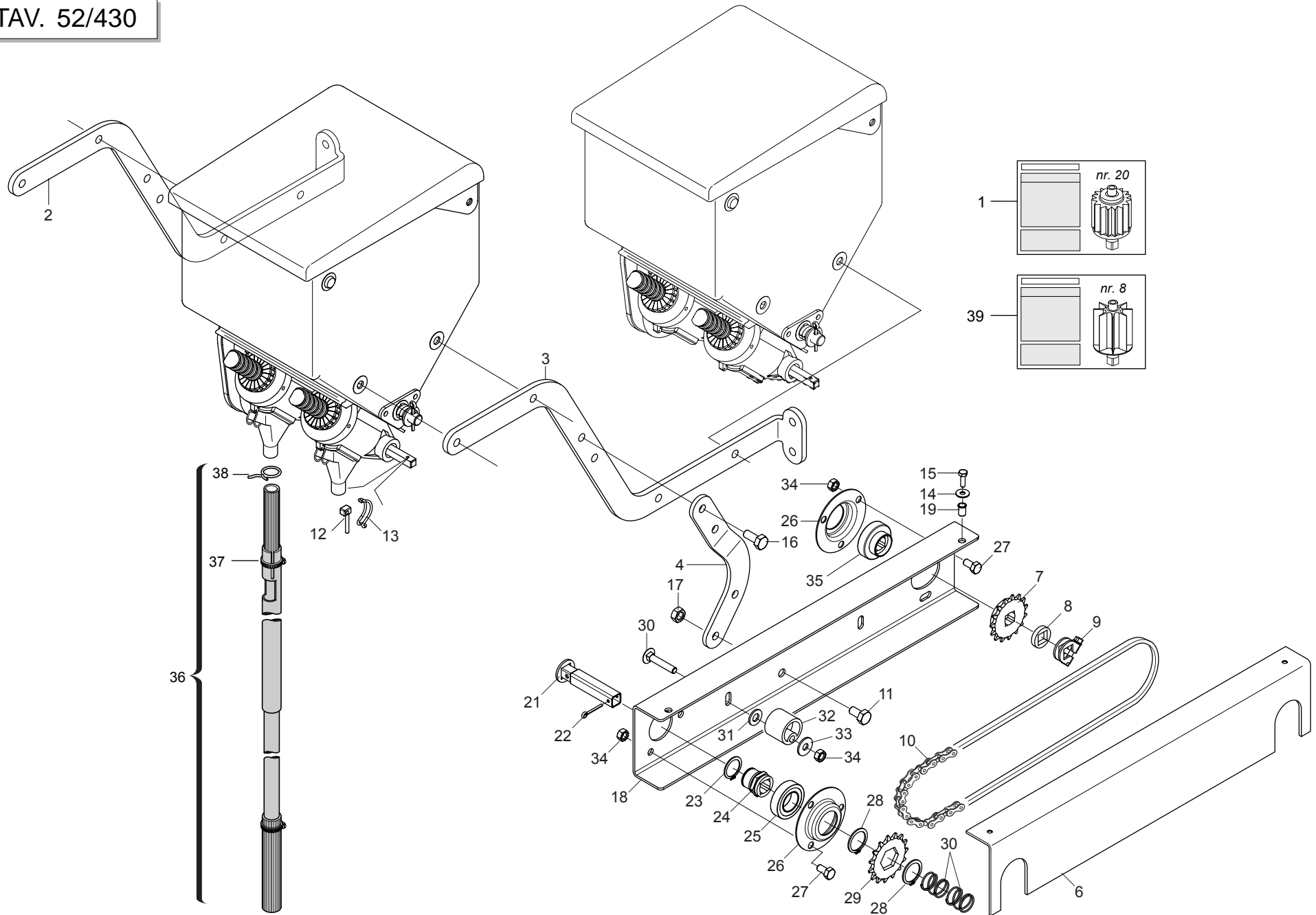


Catena Chain		Falsa maglia Offset link		Maglia giunto Connecting link	
mod.	mm	Cod.	Cod.	Cod.	Cod.
083	12,90	57158041	57158040		
084	14,60	F06080666	F06080502		
10 B-1	19,10	57156004	57155004		

# TRASMISSIONE SPANDICONCIME E MICROGRANULATORE

TAV. 52/272

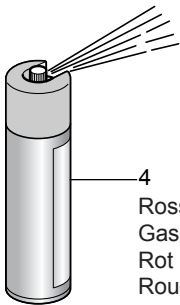
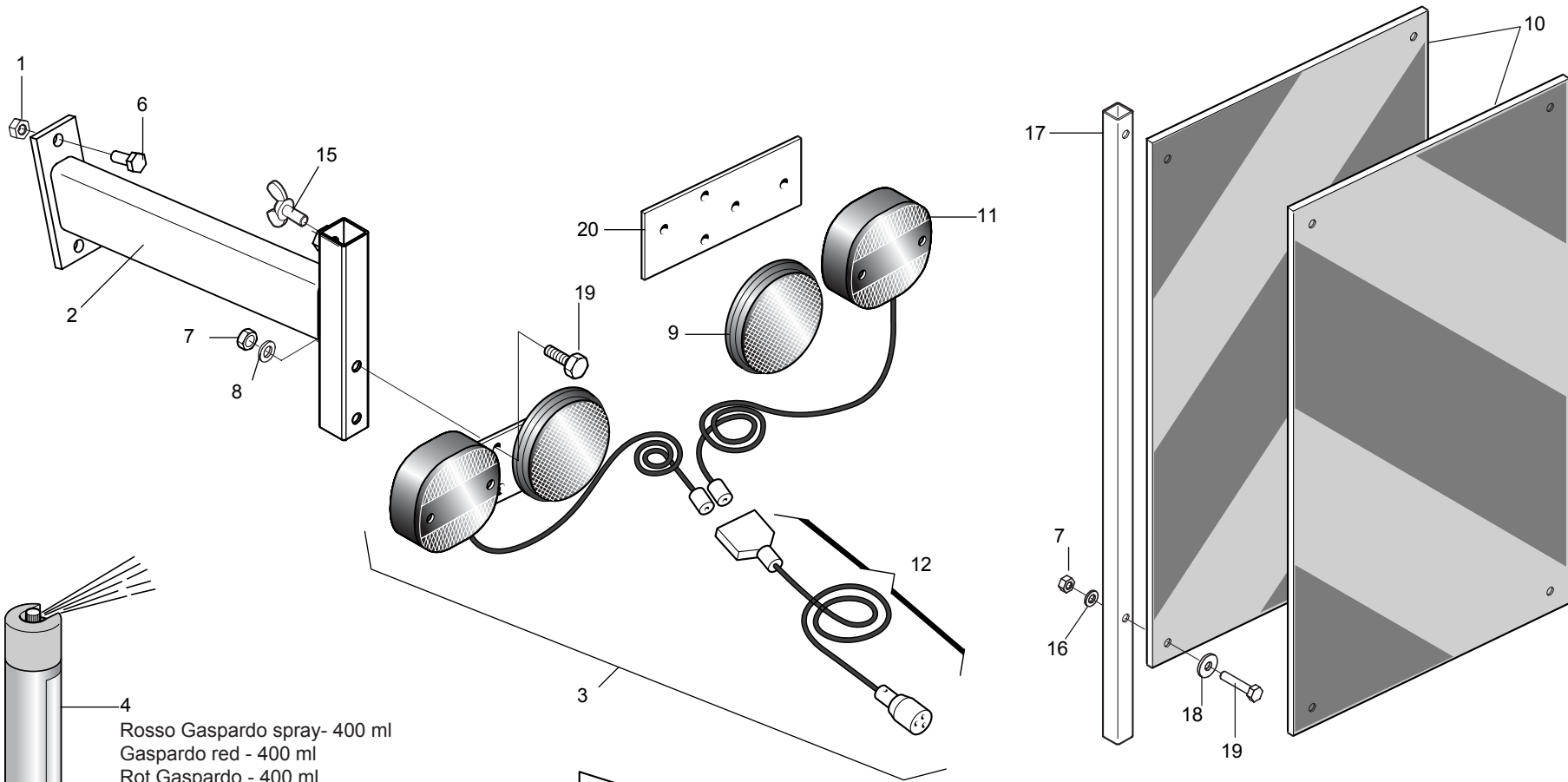
Pos.	Cod.	Descrizione	Description	Description	Benennung	Descripcion
1	14830390	CUSCINETTO FORO QUADRO	SQUARE-HOLED BEARING	ROULEMENT AL+SAGE CARR+	VIERKANTLAGER	COJINETE ORIFICIO CUADRADO
2	15470381	SUPPORTO RINVIO TUBO 150	TRANSM. SUPPORT FOR PIPE 150	SUPPORT RENVOI POUR TUBE 150	HALTERUNG VORGELEGE ROHR 150	SOPORTE TRANSMISION TUBO 150
3	15470851	FIANCO SUPP.TRASM.SPANDI	SPREADER TRANSM. SIDE SUPPORT	COTE SUPPORT TRANSM. EPAND.	SEITEN HALTER. ANTRIEB DUNGERS	COSTADO SOPORTE TRANSM. ABONAD
4	15475031	SUPPORTO TRASMISSIONE SX	LEFT TRANSMISSION SUPPORT	SUPPORT ENTRAINEMENT GCH	HALTERUNG GETRIEBE LI	SOPORTE TRANSMISIN IZQ S
5	15475041	SUPPORTO TRASMISSIONE DX	RIGHT TRANSMISSION SUPPORT	SUPPORT ENTRAINEMENT DRT	HALTERUNG GETRIEBE RE	SOPORTE TRANSMISIN DER S
6	15475260	SCONTRO SP	STRIKER PLATE SP	BUTEE SP	ANSCHLAG STREUER	ELEMENTO DE EMPALME SP
7	15475310	SUPPORTO RULLINI TENDIC. MICRO	MICRO CHAIN STRETCHER ROLLERS	SUPP. ROUETS TEND. CHAINE MICR	HALTERUNG KETTENSANNROLLEN	SOP. RODILLOS TENSOR CADENA MI
8	18902960	MOLLA TRAZ.TRASM.RUOTA ZN	TRANSMISSION TENSIONER SPRING	RESSORT TRACT. ENTRAIN. ROUE Z	ZUGFEDER RADANTRIEB ZN	MUELLE TRAC. TRANSM.RUEDA ZN
9	19000091	ROCCETTO 2 META'	CHAIN TENSIONER	TENDEUR DE CHAINE 2 MOITIE	KLEINRAD SPANNER SA	CARRETE TENSOR SA
10	19002810	CARTER RINVIO MICRO DX	RIGHT MICRO TRANSM. CASE	CARTER TRANSM. MICRO DRT	VORGELEGEGEHZUSE MIKRO RE	CæRTER TRANSMISIN MICRO DER C
11	19002820	CARTER RINVIO MICRO SX	LEFT MICRO TRANSM. CASE	CARTER TRANSM. MICRO GCH	VORGELEGEGEHZUSE MIKRO LI	CæRTER TRANSMISIN MICRO IZQ C
12	19002830	CARTER TRASMISSIONE SUPERIORE	TOP TRANSMISSION CASE	CARTER ENTRAINEMENT SUPERIEUR	OBERES ANTRIEBSGEHZUSE	CæRTER TRANSMISIN SUPERIOR C
13	19002880	CARTER INFERIORE TRASM.SPAND.	BOTTOM SPREADER TRANSM. CASE	CARTER INFERIEUR TRANSM EPAND.	UNTER. ANTRIEBSGEHZUSE DsNG.GE	CæRTER INFER. TRANSMISIN ABONC
14	22505085	FERMO ASSE IN LAMIERA	PLATE AXLE STOP	ARRET AXE EN TOLE	FESTSTELLVORRICHTUNG BLECHACHS	BLOQUEO EJE DE CHAPA
15	20890128	CORONA Z-42 SP	RING GEAR Z-42 SP	COURONNE Z-42 SP	KRANZ Z-42 SP	CORONA Z-42 SP
16	20970032	RONDELLA 32X4X8,5	WASHER 32X4X8-5	RONDELLE 32X4X8-5	UNTERLEGSSCHEIBE 32X4X8-5	ARANDELA 32X4X8-5
17	20980086	BOCCOLA DIST.D.8,5X16X31	BUSHING SPAC.. D.8-5X16X31	BOITE ENTRETOISE D. 8-5X16X31	VERTEILERBsCHSE D.8-5X16X31	CASQUILLO DIST. D.8-5X16X31
18	22230094	SUPPORTO CUSCINETTO	BEARING SUPPORT	SUPPORT PALIER	LAGERBsCHSE	SOPORTE COJINETE
19	22250007	INGR.CON MUZZO 1/2 Z-20 SV	GEARS- W/ HUB 1/2 Z-20 SV	ENGRENAGE 1/2 Z-20	ZAHNRAD MIT NABE 1/2 Z-20 SV	ENGRAN.CON PERNO 1/2 Z-20 SV
20	22250028	PIGNONE Z-15 SV	Z-15 PINION SV	PIGNON Z-15 SV	RITZEL Z-15 SV	PI½N Z-15 SV P
21	22250272	CAVALLOTTO SUPP.DISCO SV	DISK SUPPORT.ELEMENT U BOLT SV	CAVALIER SUPPORT DISQUE SV	VERBINDUNG SCHEIBENHALTERUNG S	PERNO EN U SOP. DISCO SV
22	22505085	FERMO ASSE IN LAMIERA	PLATE AXLE STOP	ARRET AXE EN TOLE	FESTSTELLVORRICHTUNG BLECHACHS	BLOQUEO EJE DE CHAPA
23	F01060047	VITE 8 X45 5732 4.6 ZN	BOLT 8X45 5732 4.6 GALVANIZED	VIS 8X45 5732 4.6 ZN	SCHRAUBE 8X45 5732 4.6 ZN	TORNILLO 8X45 5732 4.6 ZN
24	F01020075	VITE 8 X55 5737 8.G ZN	BOLT 8 X55 5737 8.G GALVANIZED	VIS 8 X55 5737 8.G ZN	SCHRAUBE 8 X55 5737 8.G ZN	TORNILLO 8 X55 5737 8.G ZN
25	F01020083	VITE 8 X70 5737 8.G ZN	BOLT 8 X70 5737 8.G GALVANIZ	VIS 8 X70 5737 8.G ZN	SCHRAUBE 8 X70 5737 8.G ZN	TORNILLO 8X70 5737 8.G ZN
26	41602124	VITE 14X220 5737 8.G ZN	BOLT 14X220 5737 8.G GALVANIZ.	VIS 14X220 5737 8.G ZN	SCHRAUBE 14X220 5737 8.G ZN	TORNILLO 14X220 5737 8.G ZN
27	F01020403	VITE 6 X16 5739 8.G ZN	BOLT 6X16 5739 8.G GALVANIZED	VIS 6X16 5739 8.G ZN	SCHRAUBE 6X16 5739 8.G ZN	TORNILLO 6X16 5739 8.G ZN
28	F01020432	VITE 8 X16 5739 8.G ZN	BOLT 8X16 5739 8.G GALVANIZED	VIS 8X16 5739 8.G ZN	SCHRAUBE 8X16 5739 8.G ZN	TORNILLO 8X16 5739 8.G ZN
29	F01020436	VITE 8 X20 5739 8.G ZN	BOLT 8X20 5739 8.G GALVANIZED	VIS 8X20 5739 8.G ZN	SCHRAUBE 8X20 5739 8.G ZN	TORNILLO 8X20 5739 8.G ZN
30	F01070074	VITE 4,2X25 DIN 7981	BOLT 4-2X25 DIN 7981	VIS 4-2X25 DIN 7981	SCHRAUBE 4-2X25 DIN 7981	TORNILLO 4-2X25 DIN 7981
31	F01200232	DADO 6 5588 6.8 ZN	NUT 6 UNI 5588 6.8 GALVANIZED	ECROU 6 UNI 5588 6.8 ZN	MUTTER 6 UNI 5588 6.8 ZN	TUERCA 6 UNI 5588 6.8 ZN
32	F01200244	DADO 8 5588 6.8 ZN	NUT 8 UNI 5588 6.8 GALVANIZED	ECROU 8 UNI 5588 6.8 ZN	MUTTER 8 UNI 5588 6.8 ZN	TUERCA 8 UNI 5588 6.8 ZN
33	F01200270	DADO 10 5588 6.8 ZN	SCREW 10 UNI 5588 6.8 GALVANIZ	ECROU 10 UNI 5588 6.8 ZN	MUTTER 10 UNI 5588 6.8 ZN	TUERCA 10 UNI 5588 6.8 ZN
34	F01410037	RONDELLA D6 UNI 6592 ZN	WASHER D6 UNI 6592 GALVANIZED	RONDELLE D6 UNI 6592 ZN	UNTERLEGSSCHEIBE D6 UNI 6592 ZN	ARANDELA D6 UNI 6592 ZN
35	F01410051	RONDELLA D8 UNI 6592 ZN	WASHER D8 UNI 6592 GALVANIZED	RONDELLE D8 UNI 6592 ZN	UNTERLEGSSCHEIBE D8 UNI 6592 ZN	ARANDELA D8 UNI 6592 ZN
36	F01410064	RONDELLA D10 UNI 6592 ZN	WASHER D10 UNI 6592 GALVANIZED	RONDELLE D10 UNI 6592 ZN	UNTERLEGSSCHEIBE D10 UNI 6592 Z	ARANDELA D10 UNI 6592 ZN
37	F01420011	ROND.PIANA 4,3X 16X1,5 6593 ZN	FLAT WASHER 4-3X 16X1-5 6593 G	ROND.PLATE 4-3X 16X1-5 6593 ZN	SCHEIBE 4-3X 16X1-5 6593 ZN	ARAND. PLANA 4-3X 16X1-5 6593
38	F01430047	RONDELLA D6 DIN 6798 D.INT.ZN	WASHER D6 DIN 6798 D.INT.GALV.	RONDELLE D6 DIN 6798 D. INT. Z	UNT. SCHEIBE D6 DIN 6798 D. IN	ARANDELA D6 DIN 6798 D.INT.ZN
39	F01430059	RONDELLA D8 DIN 6798 D.INT.ZN	WASHER D8 DIN 6798 D.INT.ZN	RONDELLE D8 DIN 6798 D. INT. Z	UNT. SCHEIBE D8 DIN 6798 D. IN	ARANDELA D8 DIN 6798 D.INT.ZN
40	F01100011	INGRASS.A SFERE M6X1/A	SPHERE NIPPLE M6X1/A	GRAISSEUR A BILLES M6X1/A	IN KUGELFETTBsCHSE M6X1/A	ENGRAS. DE ESFERAS M6X1/A
41	F06080057	CATENA ISO 083 107MAGLIE	CHAIN ISO 083 107 LINKS	CHAINE ISO 083 107 MAILLES	KETTE ISO 083 107 GLIEDER	CADENA ISO 083 107 ESLABNE L
41	F06080068	SPEZ.CAT.1/2 ISO 083 126MAGLIE	CUT-DOWN CHAIN 1/2 ISO 083 126	TRONCON CHAINE 1/2 ISO 083 126	KETTENZLNZGE ISO 083 126 GLIED	TRECHO CADENA 1/2 ISO 083 126
42	F06080029	CATENA 1/2 ISO 083 61 MAGLIE	CHAIN 1/2 ISO 083 61 LINKS	CHAINE 1/2 ISO 083 61 MAILLES	KETTE 1/2 ISO 083 61 GLIEDER	CADENA 1/2 ISO 083 61 ESLABNEL
43	66248152	MOZZO TRASM.MICRO M80	HUB - TRANSM. MICRO M80	MOYEU ENTRAINEMENT MICRO M80	ANTRIEBSNABE MIKRO M80	CUBO TRANSM. MICRO M80
44	66248207	TENDICATENA SPAND. SP-520	CHAIN TENSIONER	TENDEUR DE CHAINE EPAND. ENGR.	KETTENSANNER DsNGERSTR. SP-52	TENSOR DE CADENA ABON. SP-520
45	66248218	RONDELLA DISTAN.SPAND.	MAN. SPR. SPACER WASHER	RONDELLE ENTRETOISE EP. ENGRAI	ABSTANDSCHEIBE DsNGERSTREUER	ARANDELA DISTAN.ABONAD.
46	F01420048	ROND.PIANA 9X 24X2 6593 ZN	FLAT WASHER 9X 24X2 6593 GALV.	ROND. PLATE 9X 24X2 6593 ZN	SCHEIBE 9X 24X2 6593 ZN	ARAND. PLANA 9X 24X2 6593 ZN
47	22230138	ASSE CAMBIO 4F.80-6F.45 L.1000	GEAR SPINDLE 4-ROW 80- 6-ROW.4	AXE BOITE DE VITESSE 4 RA	GETRIEBEACHSE 4 R. 80-6 R.45 L	EJE CAMBIO 4 FILAS. 80-6 FILAS
47	22230142	ASSE 4 FILE L.800	4-ROW SPINDLE L.800	AXE 4 RANGEES L. 800	ACHSE 4 REIHEN B. 800	EJE 4 FILAS L.800
47	22230140	ASSE SEMINAT.4F.CM.80 L.1200	AXLE- 4-ROW SEEDER MACH. 80 CM	AXE SEMEUR 4 RANGEES CM. 80 L.	ACHSE SZALEMENT 4R.CM.80 L.12	EJE SEMBR. 4 FILAS. CM.80 L.12
48	F01200306	DADO 14 5588 6.8 ZN	NUT 14 UNI 5588 6.8 GALVANIZED	ECROU 14 UNI 5588 6.8 ZN	MUTTER 14 UNI 5588 6.8 ZN	TUERCA 14 UNI 5588 6.8 ZN
49	18701620	RONDELLA 16,5 X35 X3 QU.ZN	WASHER 16,5 X 35 X 3- GALVAN.	RONDELLE 16-5 X35 X3 QU.ZN	UNTERLEGSSCHEIBE 16-5 X35 X3 Q	ARANDELA 16-5 X35 X3 QU.ZN
50	22250044	CORONA CAMBIO Z-17 SV	GEARBOX RING GEAR Z-17 SV	COURONNE BOITE DE VITESSE	GETRIEBEKRANZ Z-17 SV	CORONA CAMBIO Z-17 SV
51	15231410	DISTANZIALE INTERNO ZN	INNER SPACER	ENTRETOISE INT.	INNERES DISTANZST_CK	DISTANCIADOR INTERIOR
52	20860086	INGRANAGGIO 1/2 Z-12 F.Q.	GEAR 1/2 Z-12 F.Q.	ENGRENAGE 1/2 Z-12 TROUS CARRE	ZAHNRAD 1/2 Z-12 F.Q.	ENGRANAJE 1/2 Z-12 F.Q.
53	F06080031	SPEZ.CAT.1/2 ISO 083 64MAGLIE	CUT-DOWN CHAIN .1/2 ISO 083 64	TR. CH.1/2 ISO 083 64 MAILLES	KETTENZLNZGE 1/2 ISO 083 64 GL	TRECHO CADENA 1/2 ISO 083 64 E
53	F06080197	CATENA 1/2 ISO 083 58 MAGLIE	CHAIN 1/2 ISO 083 58 LINKS	CHAINE 1/2 ISO 083 58 MAILLES	KETTE 1/2 ISO 083 58 GLIEDER	CADENA 1/2 ISO 083 58 ESLABNEL



# APPLICAZIONE DOPPIO MICROGRANULATORE

TAV. 52/430

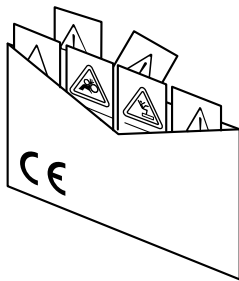
Pos.	Cod.	Descrizione	Description	Description	Benennung	Descrpcion
1	19704980	DECAL.TAB.DISTRIB.UMOSTART 20P	UMOSTART DISTRIBUTOR CHART 20P	TABLEAU DISTRIBUTEUR UMOSTART	TABELLE SZAPPARAT UMOSTART 20P	TABLA DISTRIBUDOR UMOSTART 20P
1	19705000	DECAL.TAB.DISTRIB.LUMACHIC.20P	DISTRIBUTOR CHART 20P	TABLEAU DISTRIBUTEUR 20P	TABELLE SZAPPARAT 20P	TABLA DISTRIBUDOR 20P
2	15274600	SUPPORTO SX LUMACHICIDA	LEFT SUPPORT	SUPPORT GCH	HALTERUNG LI	SOPORTE IZQ
3	15274610	SUPPORTO DX LUMACHICIDA	RIGHT SUPPORT	SUPPORT DRT	HALTERUNG RE	SOPORTE DER
4	15274621	ATTACCO SUPPORTO CATENA	CHAIN SUPPORT COUPLING	FIXATION SUPPORT CHAINE	KUPPLUNG HALTERUNG	CONEXIN SOPORTE CADENA
5	15273061	TRASMISSIONE LUMACHICIDA COMPL	COMPL. TRANSMISSION	TRANSMISSION COMPL.	ANTRIEB KOMPL.	TRANSMISION COMPL
6	15273051	CARTER SUPPORTO CATENA	SUPPORT CHAIN CASING	CARTER SUPPORT CHAINE	KETTENHALTERUNGSGEHZUSE	CARTER SOPORTE CADENA
7	22250028	PIGNONE Z-15 SV	Z-15 PINION SV	PIGNON Z-15 SV	RITZEL Z-15 SV	PIÑON Z-15 SV P
8	66248218	RONDELLA DISTAN.SPAND.	MAN. SPR. SPACER WASHER	RONDELLE ENTRETOISE EP. ENGRAI	ABSTANDSCHEIBE DsNGERSTREUER	ARANDELA DISTAN.ABONAD.
9	22505085	FERMO ASSE IN LAMIERA	PLATE AXLE STOP	ARRET AXE EN TOLE	FESTSTELLVORRICHTUNG BLECHACHS	BLOQUEO EJE DE CHAPA
10	F06080047	SPEZ.CAT.1/2 ISO 083 88 MAGLIE	CUT-DOWN CHAIN 1/2 ISO 083 88	TR. CH. © ISO 083 88 MAILLES	KETTENZNGE 1/2 ISO 083 88 GL	CADENA 1/2 ISO 083 88 ESLABONE
11	F01020470	VITE 10X20 5739 8.G ZN	BOLT 10X20 5739 8.G GALVANIZED	VIS 10X20 5739 8.G ZN	SCHRAUBE 10X20 5739 8.G ZN	TORNILLO 10X20 5739 8.G ZN
12	F02200452	SPINA A SCATTO D.4,4 B/80	SNAP PIN D.4-4 B/80	FICHE A DETENTE D. 4-4 B/80	EINRASTSTIFT D 4-4 B/80	CLAVIJA DE MUELLE D.4-4 B/80
13	65336084	MOLLA SPEC.ZN AGITAT.DISTR.SV	SPEC SPRINGZN DISTR. STIRRER .	RESSORT SPEC. ZN AGITATEUR DIS	SPEZIALFEDER ZN SAMENMISCHER S	MUELLE ESPEC. ZN AGITAD. DISTR
14	F01410037	RONDELLA D6 UNI 6592 ZN	WASHER D6 UNI 6592 GALVANIZED	RONDELLE D6 UNI 6592 ZN	UNTERLEGSSCHEIBE D6 UNI 6592 ZN	ARANDELA D6 UNI 6592 ZN
15	F01020403	VITE 6 X16 5739 8.G ZN	BOLT 6X16 5739 8.G GALVANIZED	VIS 6X16 5739 8.G ZN	SCHRAUBE 6X16 5739 8.G ZN	TORNILLO 6X16 5739 8.G ZN
16	F01020472	VITE 10X25 5739 8.G ZN	BOLT 10X25 5739 8.G GALVANIZED	VIS 10X25 5739 8.G ZN	SCHRAUBE 10X25 5739 8.G ZN	TORNILLO 10X25 5739 8.G ZN
17	F01200270	DADO 10 5588 6.8 ZN	SCREW 10 UNI 5588 6.8 GALVANIZ	ECROU 10 UNI 5588 6.8 ZN	MUTTER 10 UNI 5588 6.8 ZN	TUERCA 10 UNI 5588 6.8 ZN
18	15273041	SUPPORTO CATENA	CHAIN SUPPORT	SUPPORT CHAINE	KETTE HALTERUNG	SOPORTE CADENA
19	F02250680	INSERTO FILETTATO M 6 X13 ZN	THREADED INSERT M6X13 ZN	PIECE INTERC.FILETEE M 6X13ZN	GEWINDEEINSATZ M 6 X 13 ZN	ENCASTRE ROSCADO M 6 X13 ZN
20	F01060047	VITE 8 X45 5732 4.6 ZN	BOLT 8X45 5732 4.6 GALVANIZED	VIS 8X45 5732 4.6 ZN	SCHRAUBE 8X45 5732 4.6 ZN	TORNILLO 8X45 5732 4.6 ZN
21	15274640	MANICOTTO DISGIUNTORE	UNCOUPLING SLEEVE	MANCHON DEBRAYAGE	MUFFE AUSKUPPLUNG	MANGUITO DESCONEXIÉN
22	F02200163	COPIGLIA 3 X25 1336 ZN	SPLIT PIN 3 X25 1336 GALVAN.	GOUPILLE 3 X25 1336 ZN	SPLINT 3 X25 1336 ZN	PASADOR 3 X25 1336 ZN
23	F02050613	ANELLO ARR.25 UNI 7435-75	STOP RING 25 UNI 7435-75	BAGUE DE SERRAGE 25 UNI 7435-7	DRAHTSPRENGRING 25 UNI 7435-75	ANILLO PARADA 25 UNI 7435-75
24	22250441	MOZZO CORONA SEMINATORE SV/2	PLANTING UNIT CROWN HUB SV/2	MOYEU COURONNE SEMEUR SV/2	KRANZNABE SZELEMENT SV/2	CUBO CORONA SEMBRADOR SV/2
25	F04010134	CUSCINETTO 6005 2Z	BEARING 6005 2Z	PALIER 6005 2Z	LAGER 6005 2Z	COJINETE 6005 2Z
26	22230094	SUPPORTO CUSCINETTO	BEARING SUPPORT	SUPPORT PALIER	LAGERBsCHSE	SOPORTE COJINETE
27	F01020432	VITE 8 X16 5739 8.G ZN	BOLT 8X16 5739 8.G GALVANIZED	VIS 8X16 5739 8.G ZN	SCHRAUBE 8X16 5739 8.G ZN	TORNILLO 8X16 5739 8.G ZN
28	F02050615	ANELLO ARR.28 UNI 7435-75	STOP RING 28 UNI 7435-75	BAGUE DE SERRAGE 28 UNI 7435-7	DRAHTSPRENGRING 28 UNI 7435-75	ANILLO PARADA 28 UNI 7435-75
29	22250190	CORONA ASSE SEMINAT.Z-15 SV	PLANTING UNIT AXLE Z-15 RING G	COURONNE AXE SEMEUR Z-15 SV	KRANZ SZELEMENTACHSE Z-15 SV	CORONA EJE SEMBR. Z-15 SV
30	65338022	MOLLA COMP.ZN CHIAVISTELLO FR	ZN LATCH COMP. SPRING FR	RESSORT COMPL. ZN VERROU FR	DRUCKFEDER ZN RIEGEL FR	MUELLE COMP.ZN PESTILLO FR
31	F01410064	RONDELLA D10 UNI 6592 ZN	WASHER D10 UNI 6592 GALVANIZED	RONDELLE D10 UNI 6592 ZN	UNTERLEGSSCHEIBE D10 UNI 6592 Z	ARANDELA D10 UNI 6592 ZN
32	66248207	TENDICATENA SPAND. SP-520	CHAIN TENSIONER	TENDEUR DE CHAINE EPAND. ENGR.	KETTENSPANNER DsNGERSTR. SP-52	SENSOR DE CADENA ABON. SP-520
33	F01420048	ROND.PIANA 9X 24X2 6593 ZN	FLAT WASHER 9X 24X2 6593 GALV.	ROND. PLATE 9X 24X2 6593 ZN	SCHHEIBE 9X 24X2 6593 ZN	ARAND. PLANA 9X 24X2 6593 ZN
34	F01200244	DADO 8 5588 6.8 ZN	NUT 8 UNI 5588 6.8 GALVANIZED	ECROU 8 UNI 5588 6.8 ZN	MUTTER 8 UNI 5588 6.8 ZN	TUERCA 8 UNI 5588 6.8 ZN
35	14830390	CUSCINETTO FORO QUADRO	SQUARE-HOLED BEARING	ROULEMENT AL+SAGE CARR+	VIERKANTLAGER	COJINETE ORIFICIO CUADRADO
36	11425111	TUBO DISCESA LUMACHICIDA COMPL	PIPE DESCENT	TUBE DESCENTE COMPL.	SENKROHR KOMPL.	TUBO DESCENSO COMPL.
37	F02300016	FASCETTA STRING.16/27	STRING FASTENING STRAPS .16/27	COLLIER DE SERRAGE 16/27 L	ROHRSCHELLE .16/27 L	ABRAZADERA APRET.16/27 L
38	65336041	MOLLA SPEC.ZN STRINGITUBO M80	SPEC.SPRING ZN . PIPE CLAMP M8	RESSORT SPEC. ZN SERRE-TUBE M8	SPEZIALFEDER ZN ROHRSCHELLE M8	MUELLE ESPEC. ZN APLASTA TUBOS
39	19704970	DECAL.TAB.DISTRIB.UMOSTART 8P.	UMOSTART DISTRIBUTOR CHART 8P	TABLEAU DISTRIBUTEUR UMOSTART	TABELLE SZAPPARAT UMOSTART 8P	TABLA DISTRIBUDOR UMOSTART 8P
39	19704990	DECAL.TAB.DISTRIB.LUMACHIC.8P.	DISTRIBUTOR CHART 8P	TABLEAU DISTRIBUTEUR 8P	TABELLE SZAPPARAT 8P	TABLA DISTRIBUDOR 8P



4  
Rosso Gaspardo spray- 400 ml  
Gaspardo red - 400 ml  
Rot Gaspardo - 400 ml  
Rouge Gaspardo - 400 ml



5  
Rosso Gaspardo - 1Kg  
Gaspardo red - 1Kg  
Rot Gaspardo - 1Kg  
Rouge Gaspardo - 1Kg  
Rojo Gaspardo - 1Kg



13  
DECALCOMANIE AVVERTIMENTO  
DECAL  
DBZIEHBILD  
DECALCOMANIE  
CALCOMANIE  
CALCOMANIE

**GASPARDO**

**MT**

14



# ACCESSORI

TAV. 52/300

Pos.	Cod.	Descrizione	Description	Description	Benennung	Descripcion
1	F01200232	DADO 6 5588 6.8 ZN	NUT 6 UNI 5588 6.8 GALVANIZED	ECROU 6 UNI 5588 6.8 ZN	MUTTER 6 UNI 5588 6.8 ZN	TUERCA 6 UNI 5588 6.8 ZN
2	15211760	SUPPORTO LUCI POST.	LIGHTS SUPPORT	SUPPORT ECLAIRAGE	LICHTERHALTERUNG	SOPORTE LUCES
3	13616620	KIT LUCI PER MACCHINE PORTATE	LIGHT KIT FOR MOUNTED MACHINE	KIT FEUX POUR MACHINES PORT+ES	KIT LICHTER F_R FIRDERMASCHINE	KIT LUCES PARA M-QUINAS SUSPEN
4	F03200250	SPRAY ROSSO GASPARDO DA 400 ML	GASPARDO RED SPRAY- 400ML	PULVERISATEUR ROUGE GASPARDO 4	ROTES SPRAY GASPARDO 400 ML	SPRAY ROJO GASPARDO DE 400 ML
5	F03200244	ROSSO GASPARDO BARATTOLO KG 1	GASPARDO RED - 1 KG DRUM	VERNIS ROUGE 1 KG	GASPARDO ROT I-KG-DOSE	ROJO GASPARDO LATA 1 KG
6	F01020403	VITE 6 X16 5739 8.G ZN	BOLT 6X16 5739 8.G GALVANIZED	VIS 6X16 5739 8.G ZN	SCHRAUBE 6X16 5739 8.G ZN	TORNILLO 6X16 5739 8.G ZN
7	F01220211	DADO TRISTOP M 6	NUT- TRISTOP M 6	ECROU TRISTOP M 6	MUTTER TRISTOP M 6	TUERCA TRISTOP M 6
8	F01410037	RONDELLA D6 UNI 6592 ZN	WASHER D6 UNI 6592 GALVANIZED	RONDELLE D6 UNI 6592 ZN	UNTERLEGSSCHEIBE D6 UNI 6592 ZN	ARANDELA D6 UNI 6592 ZN
9	F05010221	CATARIFRANGENTE TONDO D.80 >	D.80 ROUND REFLECTOR	CATADIOPTRE ROND D.80	RUNDER R_CKSTRAHLER D.80	PAPEL REFRACTARIO REDONDO D.80
10	F05010357	N.2 PANNELLI CARICHI SPORGENTI	N/ JUTTING LOAD PANELS	N. 2 PANNEAUX CHARGES SAILLANT	N.2 TAFELN VORSRINGENDE LADUN	2 PANELES CARGADOS SALIENTES
11	F05010076	FANALE PER KIT LUCI	LAMP KIT LIGHTS COMPL.	FEU KIT ECLAIRAGE COMPL.	LAMPEN KIT LICHT KOMPL.	FAROL SET LUCES COMPL.
12	F05010080	CABLAGGIO KIT LUCI	LIGHT WIRING HARNESS	CABLAGE KIT PHARES	VERKABELUNG LAMPENKIT	CABLEADO JUEGO LUCES
13	89900500	KIT DECALCOMANIE -CE-	DECAL KIT -CE-	KIT DECALCOMANIE -CE- K	IT ABZIEHB. -CE- S	ET CALCOMANAS -CE-
14	89900511	KIT DECALCOMANIE SP-MT	DECAL KIT SP	KIT DECALCOMANIE SP	KIT ABZIEHB. SP	SET CALCOMANAS SP
15	F01090215	VITE 8 X15 5449 5.8 ZN	BOLT 8X15 UNI 5449 5.8 GALVANI	VIS 8X15 UNI 5449 5.8 ZN	SCHRAUBE 8X15 UNI 5449 5.8 ZN	TORNILLO 8X15 UNI 5449 5.8 ZN
16	F01410037	RONDELLA D6 UNI 6592 ZN	WASHER D6 UNI 6592 GALVANIZED	RONDELLE D6 UNI 6592 ZN	UNTERLEGSSCHEIBE D6 UNI 6592 ZN	ARANDELA D6 UNI 6592 ZN
17	15412650	TUBO Q. 16X1,5X643 ZN	GALVAN. SQUARE 16X1,5X643	TUBE CARRE 16X1,5X643 ZN	ROHR Q. 16X1,5X643 ZN	TUBO CUADRADO 16X1,5X643 ZN
18	F01420036	ROND.PIANA 6,6X 18X2 6593 ZN	FLAT WASHER 6-6X 18X2 6593 ZN	ROND. PLATE 6-6X 18X2 6593 ZN	SCHEIBE 6-6X 18X2 6593 ZN	ARAND. PLANA 6-6X 18X2 6593 ZN
19	F01020408	VITE 6 X30 5739 8.G ZN	BOLT 6X30 5739 8.G GALVANIZED	VIS 6X30 5739 8.G ZN	SCHRAUBE 6X30 5739 8.G ZN	TORNILLO 6X30 5739 8.G ZN
20	13616570	PIASTRA SUPP.LUCI	LIGHTS SUPPORT PLATE	PLAQUE DE SUPPORT ECLAIRAGE	LICHTERHALTERUNGSPLATTE	PLACA SOPORTE LUCES

**USATE SEMPRE RICAMBI ORIGINALI  
ALWAYS USE ORIGINAL SPARE PARTS  
IMMER DIE ORIGINAL-ERSATZTEILE VERWENDEN  
EMPLOYEZ TOUJOURS LES PIECES DE RECHANGE ORIGINALES  
UTILIZAR SIEMPRE REPUESTOS ORIGINALES**

# **GASPARDO**

## **GASPARDO**

**GASPARDO Seminatrici SpA**  
Via Mussons, 7 - I - 33075  
Morsano al Tagliamento (PN) Italy  
Tel. +39 0434 695410  
Fax +39 0434 695425  
e-mail: [gaspardo@gaspardo.it](mailto:gaspardo@gaspardo.it)  
<http://www.gaspardo.it>

**MASCHIO DEUTSCHLAND GMBH**  
Äußere Nürnberger Straße 5  
D - 91177 Thalmässing  
Deutschland  
Tel. +49 (0) 9173 79000  
Fax +49 (0) 9173 790079

**MASCHIO FRANCE Sarl**  
1, Rue de Mérignan ZA  
F - 45240 La Ferte St. Aubin  
France  
Tel. +33 (0) 2.38.64.12.12  
Fax +33 (0) 2.38.64.66.79

**MASCHIO IBERICA S.L.**  
Calle Cabernet, 10  
Poligono Industrial Clot de Moja  
Olerdola - 08734 Barcelona  
Tel. +34 93.81.99.058  
Fax +34 93.81.99.059

**MASCHIO USA**  
432 2<sup>ND</sup> Street  
Rock Island, IL 61201 USA  
Ph. +1 309 794-2310  
Fax +1 309 788-1610

**MASCHIO MIDDLE EAST S.L.**  
**MASCHIO-GASPARDO ROMANIA S.R.L.**  
**GASPARDO-MASCHIO TURCHIA**  
**MASCHIO-GASPARDO CANADA Inc**



**\*19530254\***